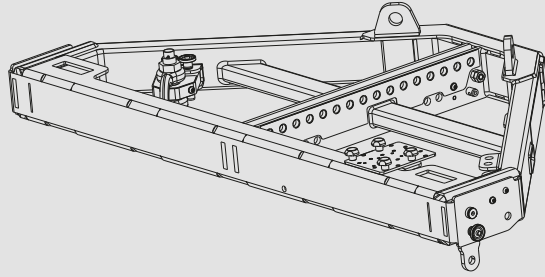




FL-B 005

FLYBAR FOR GTX 12



Description

Flybar for GTX 12 + one pickup tab with shackle, includes mounting bracket for inclinometer. Pins included. Allows the rigging of up to 24 GTX 12 modules.

Standard compliance

Safety agency:

CE compliant

Physical specifications

Color:

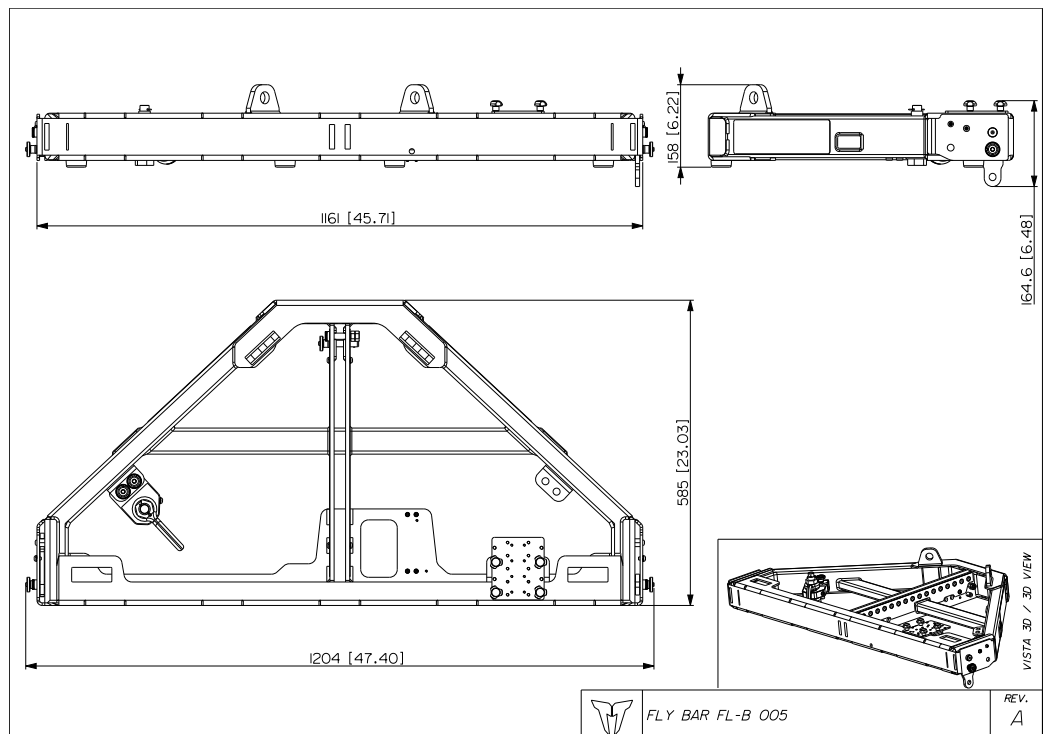
Black

Size

Weight:

41 kg / 90.39 lbs

Line Art 2D



Part Number

13360519

FL-B 005

Black

EAN 8024530020736

Technical Specifications

Rev. B