



# SUB 808-AS

HIGH-PERFORMANCE ACTIVE SUBWOOFER



**Description** SUB 808-AS is a compact low-profile high-performance active subwoofer. It features two vented-loaded 8" cone woofers powered by a 2000 Watts two-channel amplifier -one for each woofer- on a baltic birch plywood cabinet painted with black or white polyurea and weatherproof treatment. Management and tuning are available via RDNet software or using the two preset buttons, a polarity button, and a variable delay accessible from the back panel. The cabinet features rubber feet on two sides and two threaded pole-mounts for horizontal and vertical placement. Two stabilizing brackets make the vertical placement stable and firm. SUB 808-AS can be used stand-alone, in subwoofer arrays, or as the low-frequency complement for KX 515-A speaker.

- Features**
- › 129 dB max SPL
  - › 40 Hz to 400 Hz frequency range
  - › 2 x 8" neodymium woofers, 2.5" v.c.
  - › 2000 W Class-D Amplifier
  - › RDNet Networked Management
  - › Bass Motion Control excursion management
  - › powerCON TRUE1 TOP mains connectors
  - › Available in full black or white coating

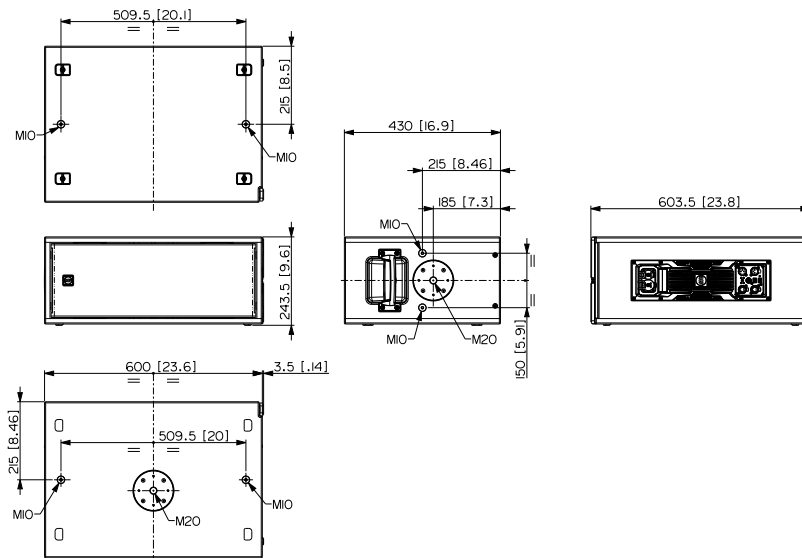
| Part Number |              |           |       |                   |
|-------------|--------------|-----------|-------|-------------------|
| 13000871    | SUB 808-AS W | 100-120 V | White | EAN 8024530021924 |
| 13000872    | SUB 808-AS W | 220-240 V | White | EAN 8024530022075 |
| 13000898    | SUB 808-AS   | 100-120 V | Black | EAN 8024530022877 |
| 13000899    | SUB 808-AS   | 220-240 V | Black | EAN 8024530022785 |



# SUB 808-AS

HIGH-PERFORMANCE ACTIVE SUBWOOFER

Line Art 2D



## TECHNICAL SPECIFICATIONS

|                                  |                       |                                       |
|----------------------------------|-----------------------|---------------------------------------|
| <b>Acoustical specifications</b> | Frequency Response    | 40 Hz ÷ 400 Hz                        |
|                                  | Max SPL @ 1m          | 129 dB                                |
| <b>Transducers</b>               | Woofer                | 2 x 8" neo, 2.5" v.c                  |
| <b>Input/Output section</b>      | Input signal          | bal/unbal                             |
|                                  | Input connectors      | XLR, RDNet Ethercon                   |
|                                  | Output connectors     | XLR, RDNet Ethercon                   |
|                                  | Input sensitivity     | -2 dBu/+4 dBu                         |
| <b>Processor section</b>         | Protections           | Excurs.                               |
|                                  | Limiter               | Fast Limiter                          |
|                                  | Controls              | Volume                                |
|                                  | RDNet                 | Onboard                               |
| <b>Power section</b>             | Total Power           | 2000 W Peak                           |
|                                  | Low frequencies       | 2000 W Peak                           |
|                                  | Cooling               | Convection                            |
|                                  | Connections           | Powercon TRUE1 TOP IN/OUT             |
| <b>Standard compliance</b>       | Safety agency         | CE compliant                          |
| <b>Physical specifications</b>   | Cabinet/Case Material | Baltic birch plywood                  |
|                                  | Hardware              | 2X M20 TOP AND SIDE<br>8X M10 2X SIDE |
|                                  | Handles               | 1 X SIDE                              |
|                                  | Pole mount/Cap        | 35 mm insert                          |
|                                  | Grille                | Steel with clothing                   |
|                                  | Color                 | Black, White                          |
| <b>Size / Weight</b>             | Height                | 243.5 mm / 9.59 inches                |
|                                  | Width                 | 603.5 mm / 23.76 inches               |
|                                  | Depth                 | 430 mm / 16.93 inches                 |
|                                  | Weight                | 20 kg / 44.09 lbs                     |



# SUB 808-AS

HIGH-PERFORMANCE ACTIVE SUBWOOFER

|                      |                            |                   |                   |
|----------------------|----------------------------|-------------------|-------------------|
| Rigging / Mounting   | <b>ACCESSORIES</b>         |                   |                   |
|                      | <b>HORIZONTAL BRACKETS</b> |                   |                   |
|                      | 13360709 HBR60709          | Black             | EAN 8024530023058 |
| Protections          | <b>POLE MOUNT KITS</b>     |                   |                   |
|                      | 13360232 AC PMX            |                   | EAN 8024530010058 |
|                      | 13360638 PM-KIT M20        | White             | EAN 8024530022303 |
|                      | 13360067 PM-KIT M20        | Black             | EAN 8024530014599 |
|                      | <b>COVERS</b>              |                   |                   |
| 13360708 CVR60708    | Black                      | EAN 8024530022884 |                   |
| Cables               | <b>RAIN PROTECTIONS</b>    |                   |                   |
|                      | 13360689 RPR60689          | Black             | EAN 8024530022914 |
|                      | <b>CABLES KIT</b>          |                   |                   |
| 13360102 AC XLR 3M3F |                            | EAN 8024530006402 |                   |