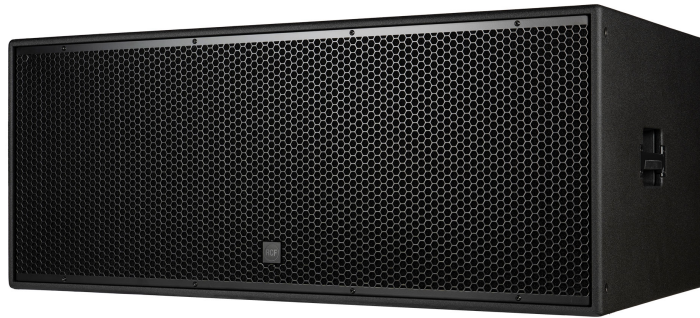




S 29 WP

HIGH-POWER BASS REFLEX SUBWOOFER



Description

S 29 WP is a high-power double 19" subwoofer suitable for RCF Installed Sound systems. The bass-reflex design ensures an efficient acoustic response down to 25 Hz. The high-quality plywood cabinet is finished with a black, heavy-duty polyurea coating and protected by a powder-coated metal grille. The recessed input panel features two AMPHENOL IP67 connectors, allowing a quick and safe connection. A M20 pole mount adaptor on top and handles on both sides are provided. S 29 WP can be ground-stacked and are cardioid-arrayable for improved rear rejection. Suitable for outdoor application.

Features

- › Up to 3000 W power handling
- › 143 dB max SPL
- › 25 ÷ 200 Hz frequency range
- › 2 x 19" HyperVented Neodymium Woofer with 4" v.c.
- › High-quality polyurea-coated multi-ply cabinet
- › Steel front grille with clothing
- › M20 standard pole mount in top section of cabinet
- › AMPHENOL IP67 in/out connectors

Part Number

13100108 S 29 WP

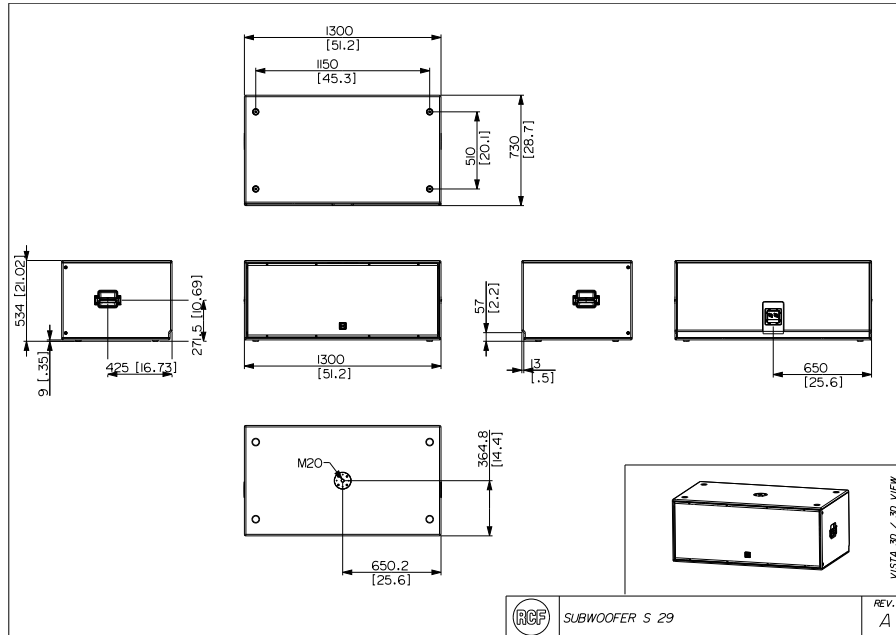
EAN 8024530022334



S 29 WP

HIGH-POWER BASS REFLEX SUBWOOFER

Line Art 2D



TECHNICAL SPECIFICATIONS

| | | |
|----------------------------------|----------------------------|------------------------|
| Acoustical specifications | Frequency Response (-10dB) | 25 Hz ÷ 200 Hz |
| | Max SPL @ 1m | 143 dB |
| Power section | Amplification | Full Range |
| | Nominal Impedance | 4 ohm |
| | Power Handling | 3000 W |
| | Peak Power Handling | 12000 W PEAK |
| | Recommended Amplifiers | XPS 16K, XPS 16KD |
| Transducers | Woofers | 2 x 19" neo, 4.0" v.c |
| Input/Output section | Input connectors | Amphenol eco/mat IP 67 |
| | Output connectors | Amphenol eco/mat IP 67 |
| Standard compliance | Safety agency | CE compliant |
| Physical specifications | Cabinet/Case Material | Plywood |
| | Handles | 2 side |
| | Pole mount/Cap | M20 thread |
| | Grille | Steel with clothing |
| Size / Weight | Height | 534 mm / 21.02 inches |
| | Width | 1300 mm / 51.18 inches |
| | Depth | 730 mm / 28.74 inches |
| | Weight | 85 kg / 187.39 lbs |