

S 15

BASS REFLEX SUBWOOFER

DESCRIPTION

S 15 is a high-power, compact subwoofer system ideal for installations where the physically small size and impact of a 12" driver are desired. Extending the frequency response below 35Hz, this highly efficient design is capable of providing output levels normally associated with considerably larger enclosures.

A system suited to music playback in applications ranging from clubs, bars and cafes, right through to theatres and corporate applications. The low-frequency transducer is a 15" woofer with a 2.5" voice coil. Its design is the result of the latest refinements in compact subwoofer production, resulting in a fast and controlled reproduction of the bass frequency range. It is particularly well-suited for high-quality multimedia applications.



FEATURES

- 500W AES power handling
- 126 dB max SPL
- 35 ÷ 200 Hz frequency range
- 1 x 15" high-power woofer
- High-quality plywood cabinet
- Steel front grille with clothing
- M20 standard pole mount in the top section of the cabinet
- 4 pole EUROBLOCK connector (audio input and parallel link output)

TECHNICAL SPECIFICATIONS

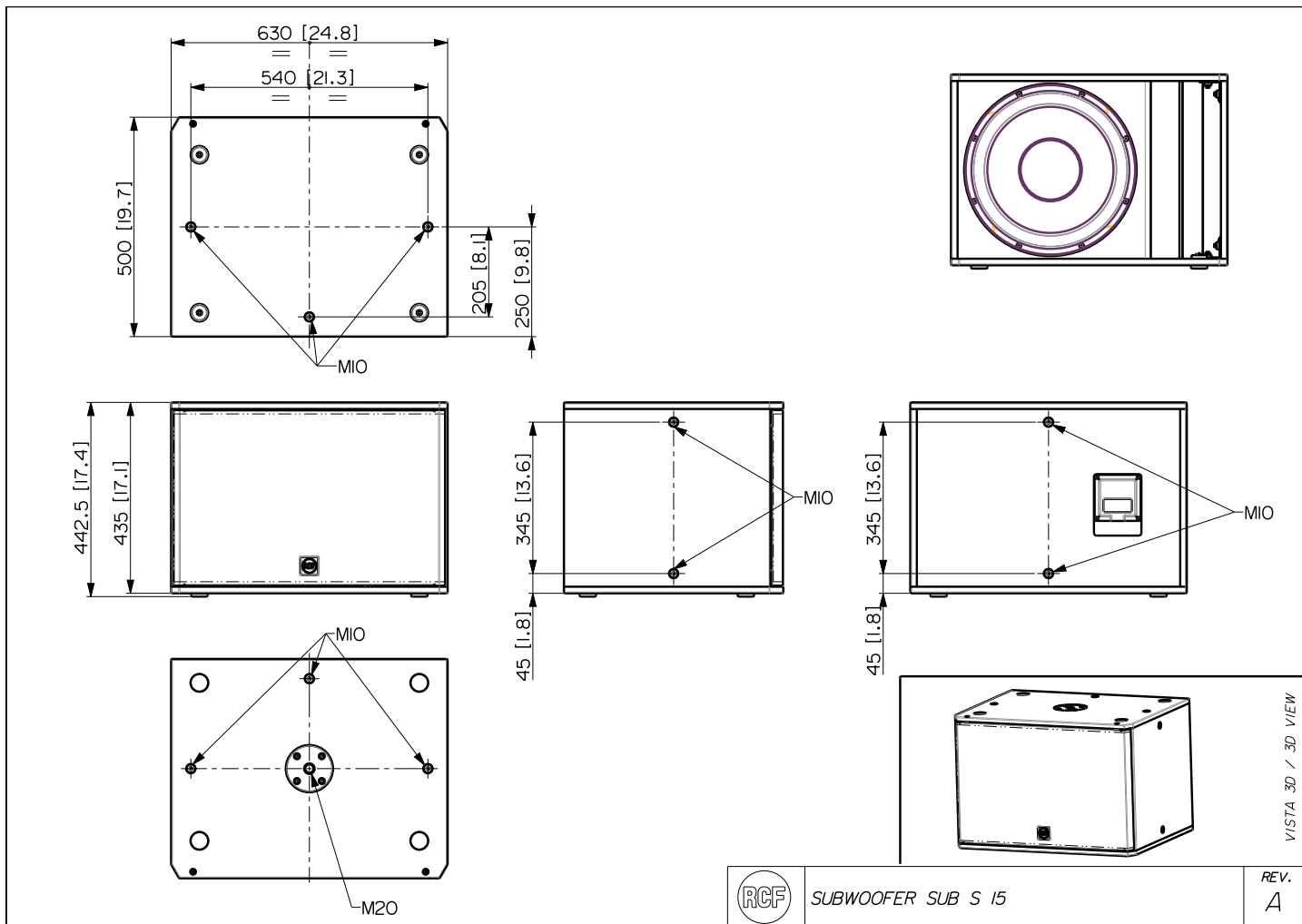
Acoustical specifications	Frequency Response (-10dB):	35 Hz ÷ 200 Hz
	Max SPL @ 1m:	126 dB
	System Sensitivity:	95 dB
Power section	Amplification:	Full Range
	Nominal Impedance:	8 ohm
	Power Handling:	500 W RMS
	Peak Power Handling:	2000 W PEAK
	Recommended Amplifier:	1000 W
Transducers	Woofer:	15", 3.0" v.c
Input/Output section	Input connectors:	Euroblock
	Output connectors:	Euroblock
Standard compliance	Safety agency:	CE compliant
Physical specifications	Cabinet/Case Material:	Plywood
	Hardware:	12 x M10
	Pole mount/Cap:	Yes
	Grille:	Steel with clothing
	Color:	Black
Size	Height:	443 mm / 17.44 inches
	Width:	630 mm / 24.8 inches
	Depth:	500 mm / 19.69 inches
	Weight:	27.5 kg / 60.63 lbs
Shipping information	Package Height:	478 mm / 18.82 inches
	Package Width:	540 mm / 21.26 inches
	Package Depth:	670 mm / 26.38 inches
	Package Weight:	30.5 kg / 67.24 lbs

PART NUMBER

- **13000667**

S 15

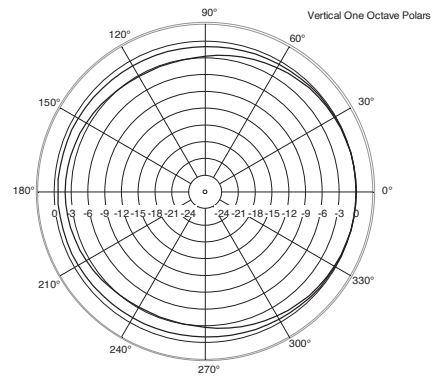
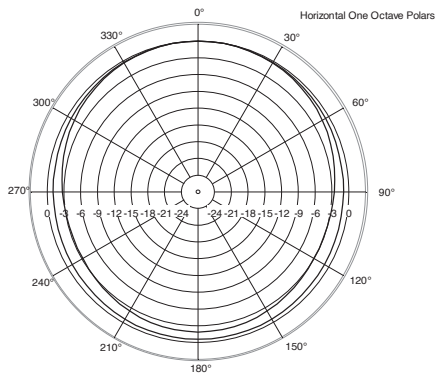
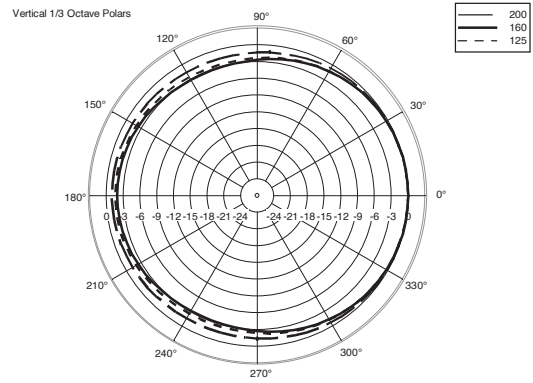
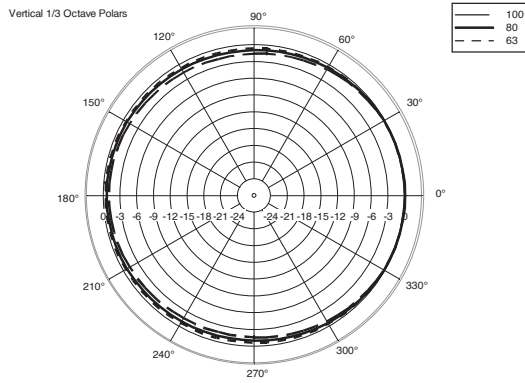
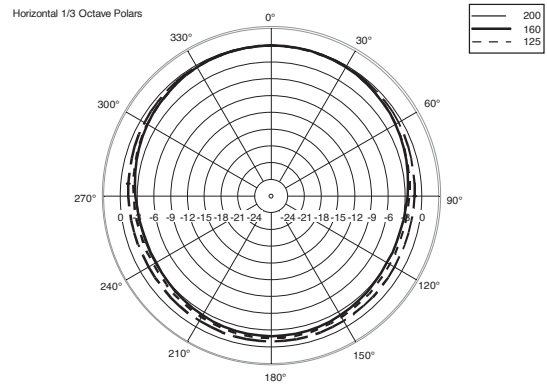
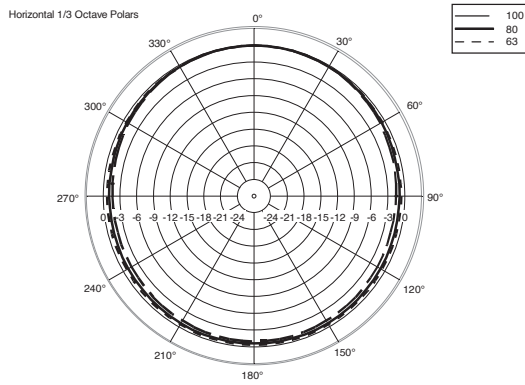
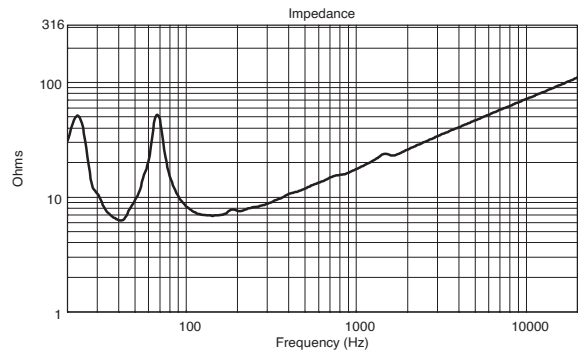
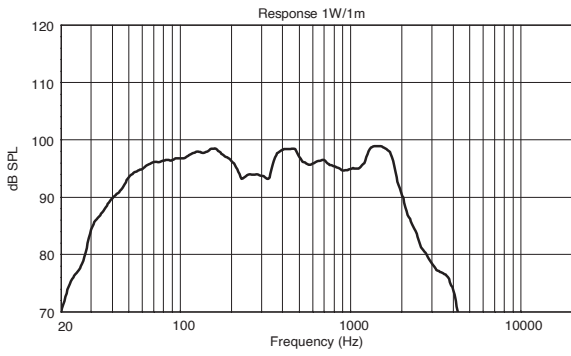
EAN 8024530020163



SUBWOOFER SUB S 15

REV.
A

VISTA 3D / 3D VIEW



ACCESSORIES



PANEL PNL IN-OUT AMPHENOL

PART NUMBER **12399063**

EAN: 8024530020149



PANEL PNL IN-OUT SPEAKON

PART NUMBER **12399062**

EAN: 8024530018733



A&E SPECIFICATIONS

The product shall be a high power, compact subwoofer system ideal for installations where the physically small size and impact of a 15" driver are desired. It shall extend the frequency response to below 35Hz with a highly efficient design capable of providing output levels normally associated with considerably larger enclosures. It shall be suited to background music playback in applications ranging from clubs, bars and cafes, right through to theatres and AV presentations. The low-frequency transducer shall be a 15" woofer with a 3,0" voice coil, with fast and controlled reproduction of the bass frequency range.
