



M 602

TWO-WAY PASSIVE SPEAKER



Description

M 602 is a multipurpose two-way twin-woofer full-range speaker system, suitable in a wide range of installations. The compactness, together with the elegant and neutral design with accurate finishing make M 602 suitable for almost any environment and architectural constraint. Available mounting accessories allow you to use the M 602 wall or ceiling mounted, with reference to the several possible applications. The M 602 has a controlled coverage through its twin 6" and the precise constant directivity horn. The SPL and the level of undistorted sound the M 602 can reach is far above any expectation from such a compact solution. The M 602 features high sensitivity thanks to the use of oversized magnets and a comfortable sound quality with smooth and wide frequency response performed thanks to the Kapton diaphragm compression driver loaded with a constant directivity horn. The LICC crossover design includes an electronic protection on high frequency device.

Features

- › High Quality 2-way passive loudspeaker
- › 2 x 6.5" woofer, vented
- › 1 x 1" in driver, on 90°x90° CD horn
- › High Power Handling 'Low Impedance Compensated Crossover', with electronic protection for the driver
- › 120W AES power handling
- › Steel Front Grille with robust double mesh polyester clothing
- › Rotatable RCF front logo
- › Installation points are available on the rear panel, top and bottom
- › All models have a 4-pin EUROBLOCK connector (audio input and parallel link output)

Part Number

13041012 M 602 8ohm Black EAN 8024530007553

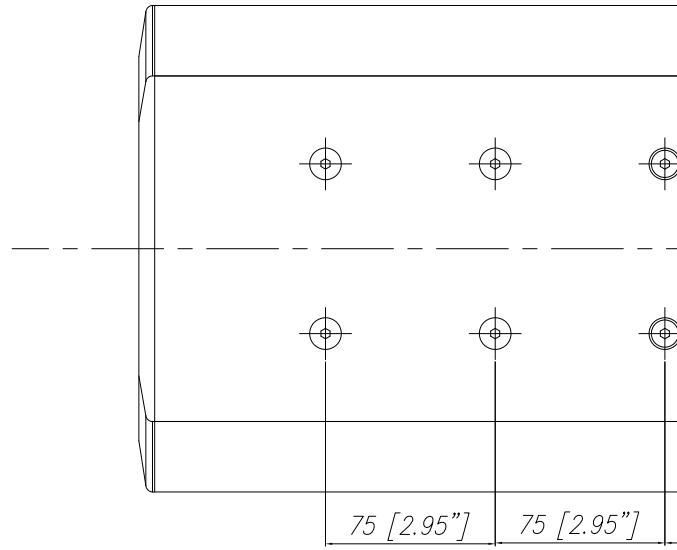


M 602

TWO-WAY PASSIVE SPEAKER

215 [8.46"]

Line Art 2D



Acoustical specifications

TECHNICAL SPECIFICATIONS

Frequency Response (-10dB) 70 Hz ÷ 20000 Hz
 Max SPL @ 1m 122 dB
 Horizontal coverage angle 90°
 Vertical coverage angle 90°
 Directivity index Q 10
 System Sensitivity 95 dB

Power section

Nominal Impedance 8 ohm
 Power Handling 120 W
 Peak Power Handling 480 W PEAK
 Protections Dynamic active mosfet
 Crossover Frequencies 2000 Hz

Transducers

Compression Driver 1.0", 1.5" v.c
 Woofer 2 x 6.5", 1.5" v.c

Input/Output section

Input connectors Euroblock
 Output connectors Euroblock

Standard compliance

Safety agency CE compliant

Physical specifications

Cabinet/Case Material MDF
 Hardware 8 x M6, 2 x M10
 Grille Steel with robust double mesh polyester clothing
 Color Black

Size

Height 540 mm / 21.26 inches
 Width 215 mm / 8.46 inches
 Depth 230 mm / 9.06 inches
 Weight 11.6 kg / 25.57 lbs