



HD 410T

ALUMINIUM HORN SPEAKER WITH DRIVER AND TRANSFORMER



Description

The HD 410/T are compact, lightweight and watertight horn speakers. They are designed to provide high efficiency and characterized by the high intelligibility of the reproduced sound with low distortion. The built-in line transformer makes it possible to connect the horn loudspeaker to both 70 and 100 V constant voltage lines, and select the delivered power by means of a rotary dial on the rear cover

Features

- › Built-in line transformer with multitap power selector on rear cover
- › Hi-pass filter for protecting driver against out-of-range low-freq
- › IP 66 construction for indoor-outdoor environmental temperature between -25°C to +70°C
- › Aluminum flare with UV-stabilized autoextinguishing UL-HB ABS rear cover
- › Colour RAL 7035

Part Number

13133041 HD 410T

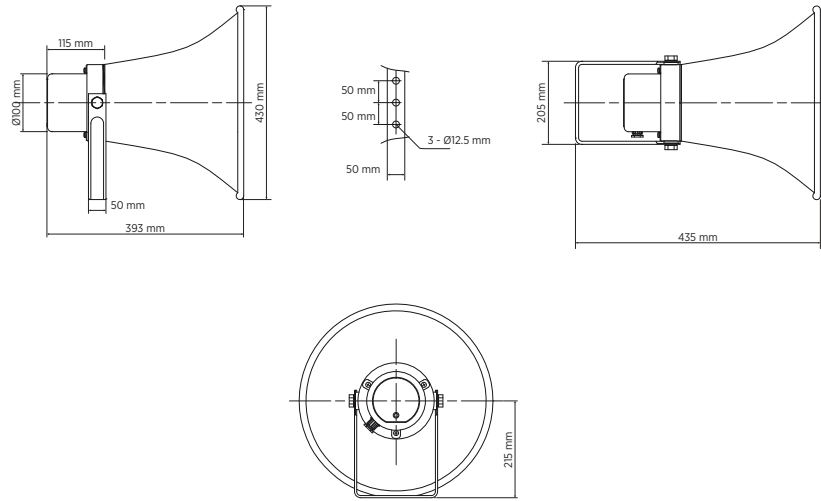
Grey - RAL 7035 EAN 8024530001247



HD 410T

ALUMINIUM HORN SPEAKER WITH DRIVER AND TRANSFORMER

Line Art 2D



TECHNICAL SPECIFICATIONS

Acoustical specifications	Frequency Response (-10dB)	180 Hz ÷ 7000 Hz
	Max SPL @ 1m	130 dB
	Coverage angle	90°
	System Sensitivity	112 dB
Power section	Amplification	Full Range
	Power Handling	50 W
	Peak Power Handling	200 W PEAK
Transducers	Compression Driver	1 x 2.0"
Input/Output section	Input connectors	Cable
	Output connectors	Cable
	Constant Voltage Transformer	70/100 V
	Power selection 1	50 W - 200 ohm
	Power selection 2	30 W - 333 ohm
	Power selection 3	25 W - 400 ohm
Standard compliance	Power selection 4	15 W - 667 ohm
	Power selection 5	7.5 W - 1333 ohm
	IP protection grade	IP 66
	Safety agency	CE compliant
	Physical specifications	Cabinet/Case Material
Hardware		Stainless steel U bracket
Color		Grey - RAL 7035
Size	Depth	393 mm / 15.47 inches
	Diameter	430 mm / 16.93 inches
	Weight	3.57 kg / 7.87 lbs