



V-BR TT 08 II

VERTICAL BRACKET



Description

Standard compliance

Safety agency

CE compliant

Size

Weight

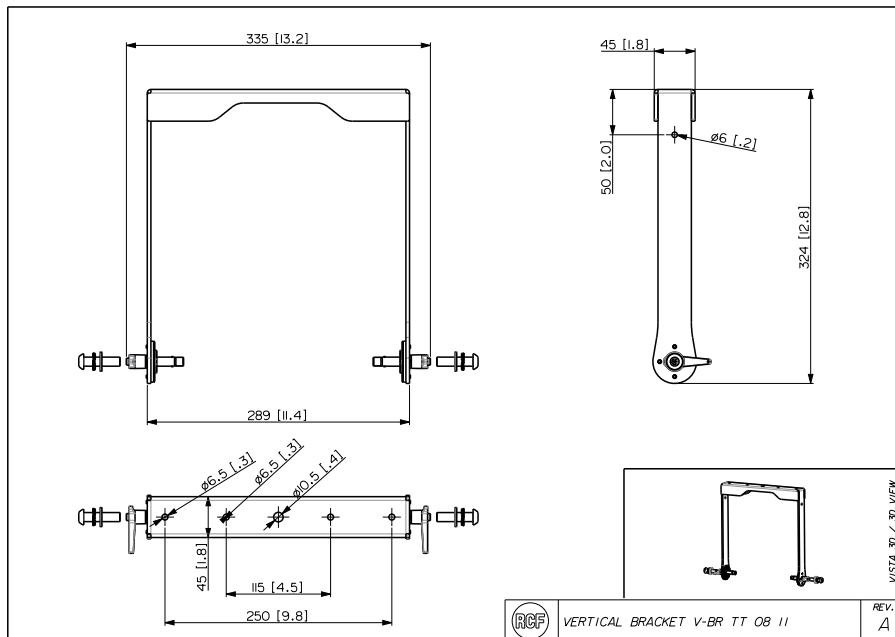
1.7 kg / 3.75 lbs

Physical specifications

Color

Black

Line Art 2D



Part Number

13360400 V-BR TT 08 II

Black

EAN 8024530016296

Technical Specifications

Products are continually improved. All specifications are therefore subject to change without notice.