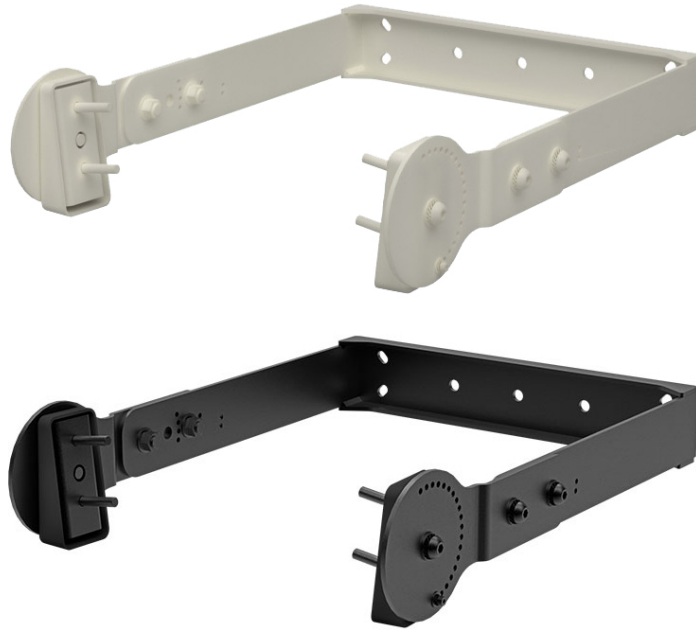




V-BR 002

PAIR OF VERTICAL BRACKETS



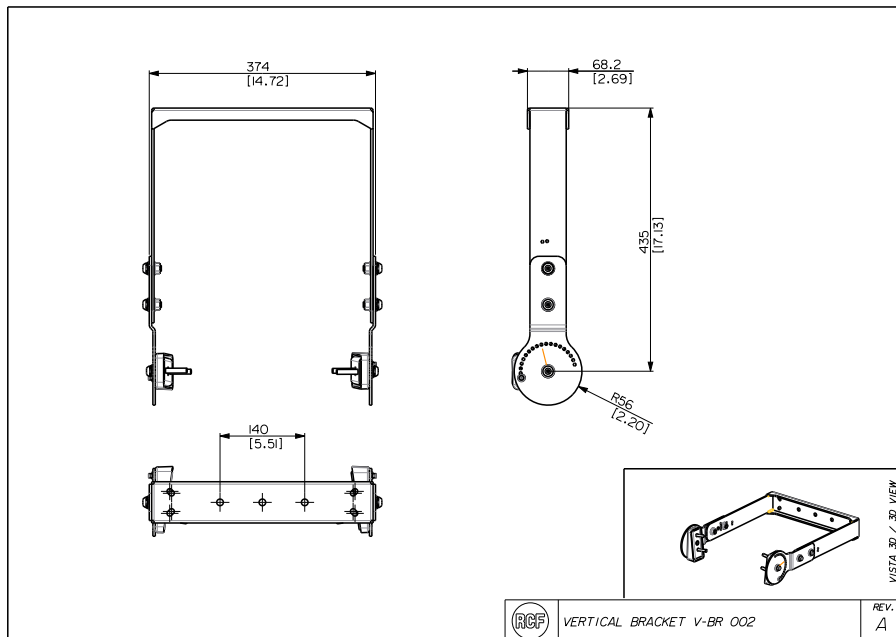
Description Pair of brackets for 12" cabinets vertical wall mounting.

Standard compliance Safety agency CE compliant

Size Weight 3.3 kg / 7.28 lbs

Physical specifications Color Black - RAL 9005, White - RAL 9003

Line Art 2D



Part Number 13360533 V-BR 002
13360607 V-BR 002 W

Black - RAL 9005 EAN 8024530021320
White - RAL 9003 EAN 8024530021696

Technical Specifications

Products are continually improved. All specifications are therefore subject to change without notice.