



# STCK-KIT NXL 44

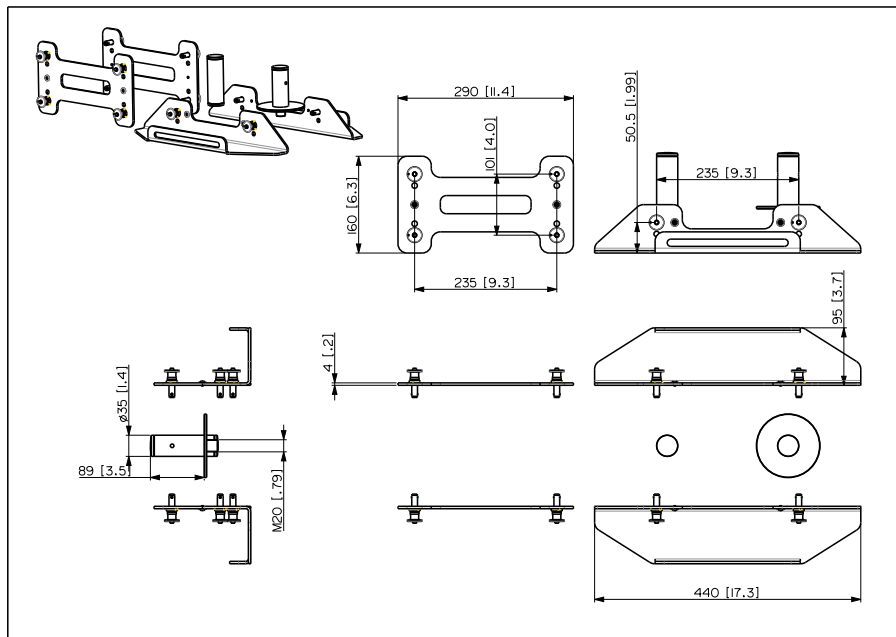
STACKING KIT



**Description** Accessory for stacking 2 NXL 44-A on SUB 8006 or 8004 (or M20 pole)

**Standard compliance** Safety agency CE compliant  
**Size** Weight 6.9 kg / 15.21 lbs  
**Physical specifications** Color Black

**Line Art 2D**



**Part Number** 13360347 STCK-KIT NXL 44

Black

EAN 8024530013646

**Technical Specifications**

Products are continually improved. All specifications are therefore subject to change without notice.