



PM-KIT NXL 24

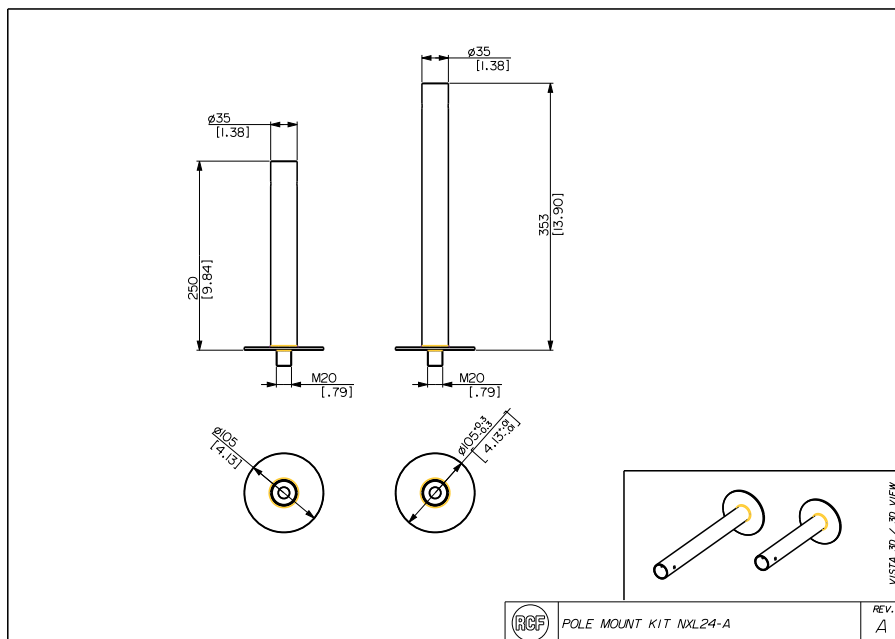
POLE MOUNT KIT



Description Adjustable pole accessory for stacking NXL 24-A on SUB 8004 (or M20 pole)

Standard compliance Safety agency CE compliant
Size Weight 1.6 kg / 3.53 lbs
Physical specifications Color Black

Line Art 2D



Part Number 13360280 PM-KIT NXL 24

Black

EAN 8024530018665

Technical Specifications

Products are continually improved. All specifications are therefore subject to change without notice.