



H-BR TT 08 II

HORIZONTAL BRACKET



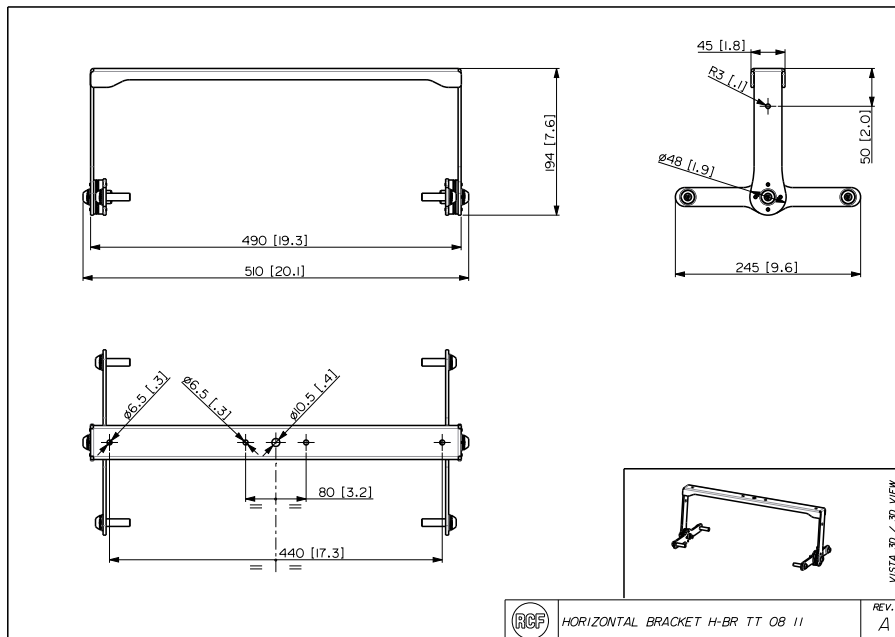
Description

Standard compliance
Size
Physical specifications

Safety agency
Weight
Color

CE compliant
2 kg / 4.41 lbs
Black

Line Art 2D



Part Number

13360399 H-BR TT 08 II

Black

EAN 8024530016289

Technical Specifications

Products are continually improved. All specifications are therefore subject to change without notice.