



H-BR ART 910

HORIZONTAL MOUNT BRACKET



Description

H-BR Horizontal Mount Bracket for ART 910-A, ART 9 SERIES. It features robust brackets and hardware to mount the speaker system to a wall, ceiling, or truss in horizontal configuration. Adjustable inclination allows obtaining the desired sound coverage.

Standard compliance

Safety agency

CE compliant

Size

Weight

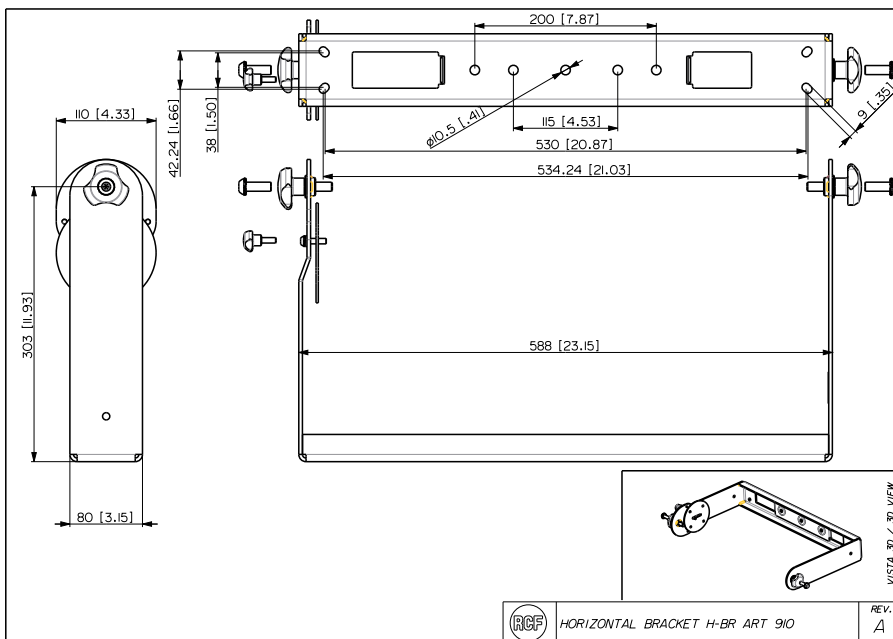
4.45 kg / 9.81 lbs

Physical specifications

Color

Black

Line Art 2D



Part Number

13360471 H-BR ART 910

Black

EAN 8024530019242

Technical Specifications

Products are continually improved. All specifications are therefore subject to change without notice.