



# FL-BR ART 915

FLYING MOUNT BRACKET



## Description

FL-BR Flying Mount Bracket for ART 9 Series 15" models. It features robust brackets and hardware to hang the speaker system to a ceiling or truss using chains, cables, and hooks.

## Standard compliance

Safety agency

CE compliant

## Size

Weight

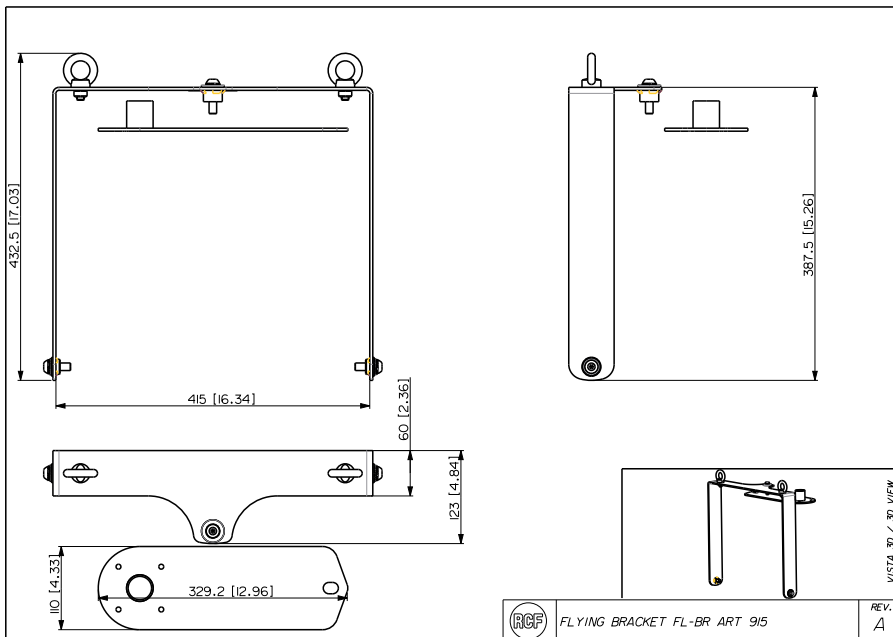
3.8 kg / 8.38 lbs

## Physical specifications

Color

Black

## Line Art 2D



## Part Number

13360481 FL-BR ART 915

Black

EAN 8024530019174

## Technical Specifications

Products are continually improved. All specifications are therefore subject to change without notice.