



FL-B HDL 30

FLY BAR



Description

Flybar for HDL 30-A or HDL 38-AS + 1x Pickup Tab with Shackle + Stacking Bar + Mounting Bracket for inclinometer. Pins included.

Standard compliance

Safety agency

CE compliant

Size

Weight

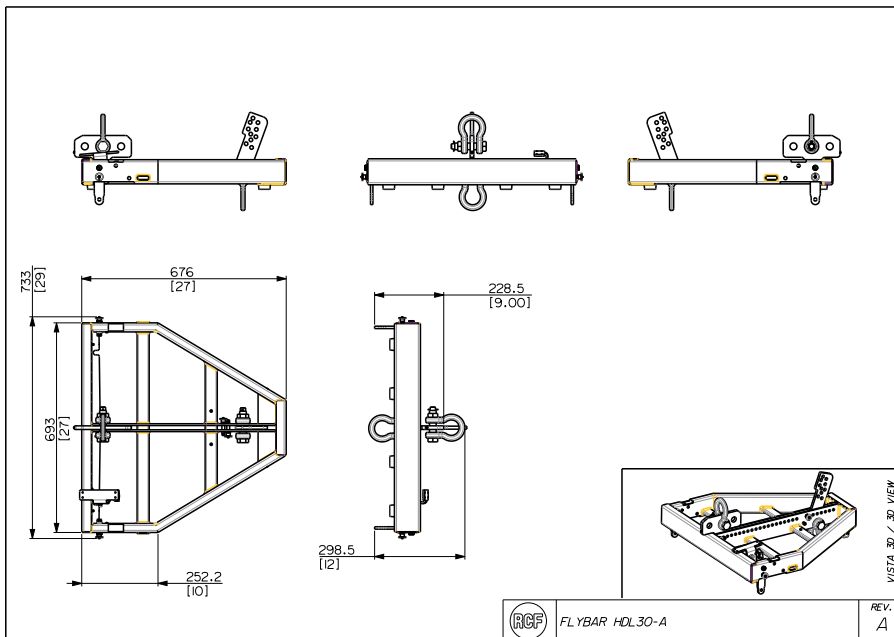
21.2 kg / 46.74 lbs

Physical specifications

Color

Black

Line Art 2D



Part Number

13360380 FL-B HDL 30

Black

EAN 8024530015114

Technical Specifications

Products are continually improved. All specifications are therefore subject to change without notice.