



# FL-B HDL 28

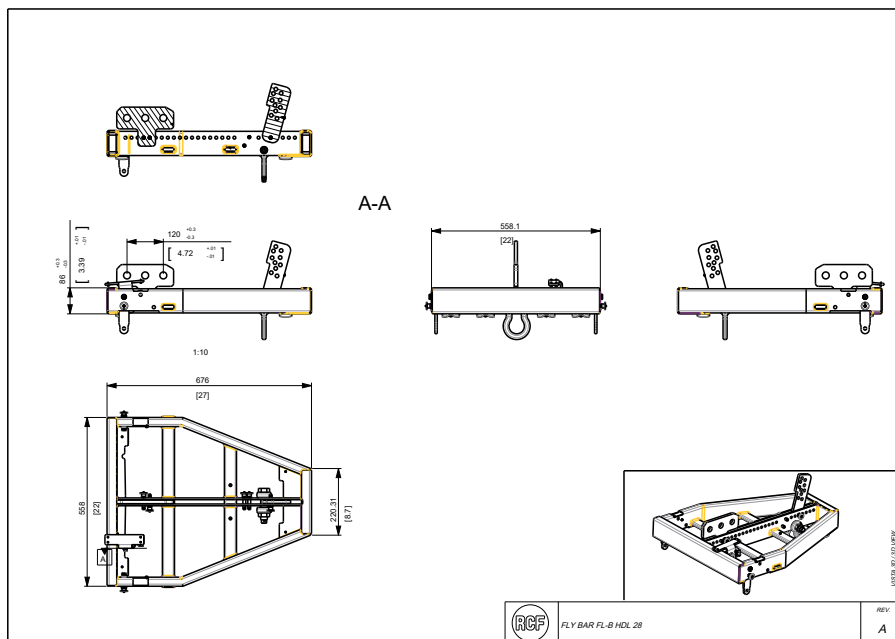
FLY BAR



**Description** Flybar for HDL 28-A or HDL 36-AS + 1x Pickup Tab with Shackle + Stacking Bar + Mounting Bracket for inclinometer. Pins included.

<b>Standard compliance</b>	Safety agency	CE compliant
<b>Size</b>	Weight	19.8 kg / 43.65 lbs
<b>Physical specifications</b>	Color	Black

**Line Art 2D**



<b>Part Number</b>	13360411 FL-B HDL 28	Black	EAN 8024530016258
--------------------	----------------------	-------	-------------------

**Technical Specifications**

Products are continually improved. All specifications are therefore subject to change without notice.