

Network DSP FIR processor 4x8

DSP-48DT 4x4 Dante channels

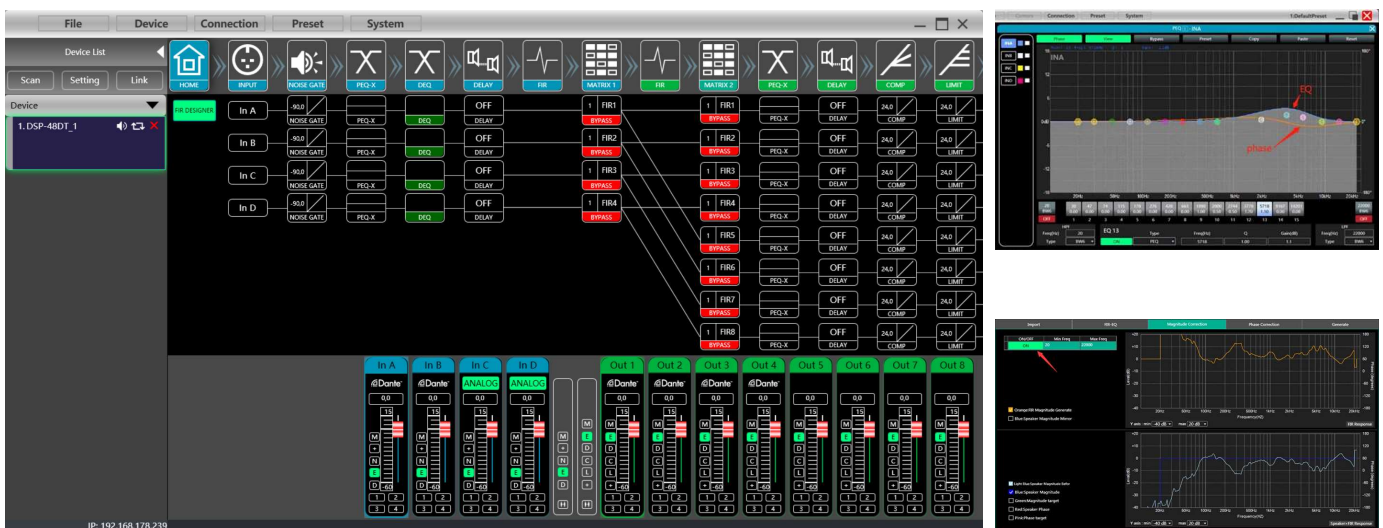
DSP-48DT is a 4in 8out FIR DSP audio processor, integrated with high performance DSP processor, Dynamic EQ, FIR automatic linear phase and other powerful functions. This audio processor supports a variety of input signals: Analog\AES3\Dante network audio. Standard FIR designer in the MusicAllDSP software provides automatic linear magnitude and phase function, easy to optimize speaker parameters.

With RJ45\USB and RS232 connectors, PC software MusicAllDSP provides users an easy way to control multiple devices. The RS232 connection supports control by a third-party system.



Software

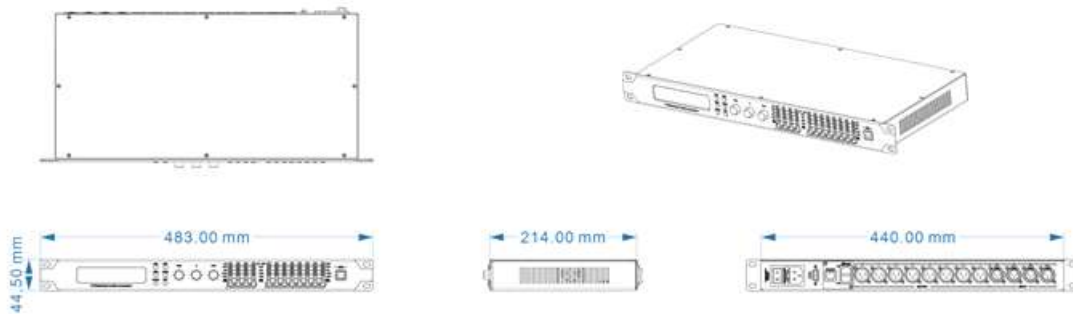
The MusicAllDSP software provides the user a fast tool to control one or more devices through multiple methods: TCP/IP, USB, common serial port (RS232/485). Easily set DSP functions of devices, GPIO control and check central control codes. The configurations can be stored in presets, convenient for various applications.



Network DSP FIR processor 4x8



Dimensions



Technical specifications

DSP-48DT	
1. DSP Processor	
Process:	ADI SHARC 21489 450MHz
System delay:	2.1ms
AD/DA:	24-bit 96KHz
2. Analog Audio Inputs and Outputs	
Input:	4 channels balanced.
Input interface:	XLR(Neutrik®)
Input impedance:	20KΩ
Max input level:	20dBu/Line
Dante in/out	4x4 channels
Output:	8 channels balanced. Line level
Output interface:	XLR(Neutrik®)
Output impedance:	50Ω
3. Audio Performance Specifications	
Frequency response:	20Hz-20kHz(+0.5dB)/Line
THD+N:	-93dB(@0dBu, 1kHz, A-wt)/Line
Ground noise:	20Hz-20kHz, A-wt, -93dBu
SNR:	113dB(@16dBu, 1kHz, A-wt)/Line
4. Connection Ports and Indicators	
USB:	Type A-B
RS232:	Serial port communication
TCP/IP interface:	RJ-45
Indicator light:	Clip, level, edit, mute
5. Electrical and Physical	
Supply:	AC100V~240V 50/60 Hz
Product Dimensions	483mmx215mmx44.5mm
Packaged Dimensions	537mmx343mmx77mm
Net Weight	3.8kg
Packaged Weight	4.2kg
Operating temperature:	-20°C~80°C