



COMPACT C 32 WP

COMPACT C 45 WP

TWO-WAY PROFESSIONAL SPEAKERS

ENGLISH

1	SAFETY PRECAUTIONS AND GENERAL INFORMATION	4
2	DESCRIPTION	6
3	CONNECTIONS	7
4	CONFIGURATIONS	8
5	HORIZONTAL MOUNTING WITH U BRACKET	10
6	VERTICAL MOUNTING WITH U BRACKET.....	11
7	HN-KIT COMPACT C 32 WP C 45 WP.....	12
8	NOTES ABOUT LOW IMPEDANCE CONNECTIONS.....	13

ITALIANO

1	AVVERTENZE PER LA SICUREZZA E INFORMAZIONI GENERALI.....	14
2	DESCRIZIONE	16
3	COLLEGAMENTI	17
4	CONFIGURAZIONI.....	18
5	INSTALLAZIONE IN POSIZIONE ORIZZONTALE TRAMITE STAFFA AD "U"	20
6	INSTALLAZIONE IN POSIZIONE VERTICALE TRAMITE STAFFA AD "U"	21
7	HN-KIT COMPACT C 32 WP C 45 WP.....	22
7	NOTE SUI SISTEMI CON CONNESSIONE A BASSA IMPEDENZA	23






COMPACT C 32 WP DIMENSIONS / DIMENSIONI	24
---	----

COMPACT C 45 WP DIMENSIONS / DIMENSIONI	25
---	----

SPECIFICATIONS / DATI TECNICI.....	26
------------------------------------	----

1. SAFETY PRECAUTIONS AND GENERAL INFORMATION

The symbols used in this document give notice of important operating instructions and warnings which must be strictly followed.

	CAUTION	Important operating instructions: explains hazards that could damage a product, including data loss
	WARNING	Important advice concerning the use of dangerous voltages and the potential risk of electric shock, personal injury or death.
	IMPORTANT NOTES	Helpful and relevant information about the topic
	SUPPORTS, TROLLEYS AND CARTS	Information about the use of supports, trolleys and carts. Reminds to move with extreme caution and never tilt.
	WASTE DISPOSAL	This symbol indicates that this product should not be disposed with your household waste, according to the WEEE directive (2012/19/EU) and your national law.

IMPORTANT NOTES

This manual contains important information about the correct and safe use of the device. Before connecting and using this product, please read this instruction manual carefully and keep it on hand for future reference. The manual is to be considered an integral part of this product and must accompany it when it changes ownership as a reference for correct installation and use as well as for the safety precautions. RCF S.p.A. will not assume any responsibility for the incorrect installation and / or use of this product.

SAFETY PRECAUTIONS

- All the precautions, in particular the safety ones, must be read with special attention, as they provide important information.
- Power supply from mains**
 - The mains voltage is sufficiently high to involve a risk of electrocution; install and connect this product before plugging it in.
 - Before powering up, make sure that all the connections have been made correctly and the voltage of your mains corresponds to the voltage shown on the rating plate on the unit, if not, please contact your RCF dealer.
 - The metallic parts of the unit are earthed through the power cable. An apparatus with CLASS I construction shall be connected to a mains socket outlet with a protective earthing connection.
 - Protect the power cable from damage; make sure it is positioned in a way that it cannot be stepped on or crushed by objects.
 - To prevent the risk of electric shock, never open this product: there are no parts inside that the user needs to access.
 - Be careful: in the case of a product supplied by manufacturer only with POWERCON connectors and without a power cord, jointly to POWERCON connectors type NAC3FCA (power-in) and NAC3FCB (power-out), the following power cords compliant to national standard shall be used:
 - EU: cord type H05VV-F 3G 3x2.5 mm2 - Standard IEC 60227-1
 - JP: cord type VCTF 3x2 mm2; 15Amp/120V~ - Standard JIS C3306
 - US: cord type SJT/SJTO 3x14 AWG; 15Amp/125V~ - Standard ANSI/UL 62
- Make sure that no objects or liquids can get into this product, as this may cause a short circuit. This apparatus shall not be exposed to dripping or splashing. No objects filled with liquid, such as vases, shall be placed on this apparatus. No naked sources (such as lighted candles) should be placed on this apparatus.
- Never attempt to carry out any operations, modifications or repairs that are not expressly described in this manual. Contact your authorized service centre or qualified personnel should any of the following occur:
 - **The product does not function (or functions in an anomalous way).**
 - **The power cable has been damaged.**

- **Objects or liquids have got in the unit.**
 - **The product has been subject to a heavy impact.**
- If this product is not used for a long period, disconnect the power cable.
 - If this product begins emitting any strange odours or smoke, switch it off immediately and disconnect the power cable.
 - Do not connect this product to any equipment or accessories not foreseen. For suspended installation, only use the dedicated anchoring points and do not try to hang this product by using elements that are unsuitable or not specific for this purpose. Also check the suitability of the support surface to which the product is anchored (wall, ceiling, structure, etc.), and the components used for attachment (screw anchors, screws, brackets not supplied by RCF etc.), which must guarantee the security of the system / installation over time, also considering, for example, the mechanical vibrations normally generated by transducers. To prevent the risk of falling equipment, do not stack multiple units of this product unless this possibility is specified in the user manual.
 - RCF S.p.A. strongly recommends this product is only installed by professional qualified installers (or specialised firms) who can ensure correct installation and certify it according to the regulations in force. The entire audio system must comply with the current standards and regulations regarding electrical systems.**

9. Supports, trolleys and carts.



The equipment should be only used on supports, trolleys and carts, where necessary, that are recommended by the manufacturer. The equipment / support / trolley / cart assembly must be moved with extreme caution. Sudden stops, excessive pushing force and uneven floors may cause the assembly to overturn. Never tilt the assembly.

- There are numerous mechanical and electrical factors to be considered when installing a professional audio system (in addition to those which are strictly acoustic, such as sound pressure, angles of coverage, frequency response, etc.).
- Hearing loss.** Exposure to high sound levels can cause permanent hearing loss. The acoustic pressure level that leads to hearing loss is different from person to person and depends on the duration of exposure. To prevent potentially dangerous exposure to high levels of acoustic pressure, anyone who is exposed to these levels should use adequate protection devices. When a transducer capable of producing high sound levels is being used, it is therefore necessary to wear ear plugs or protective earphones. See the manual technical specifications to know the maximum sound pressure level.

OPERATING PRECAUTIONS

- Place this product far from any heat sources and always ensure an adequate air circulation around it.
- Do not overload this product for a long time.
- Never force the control elements (keys, knobs, etc.).
- Do not use solvents, alcohol, benzene or other volatile substances for cleaning the external parts of this product.

IMPORTANT NOTES

- To prevent the occurrence of noise on line signal cables, use screened cables only and avoid putting them close to:
- **Equipment that produces high-intensity electromagnetic fields**
 - **Power cables**
 - **Loudspeaker lines**



WARNING! CAUTION! To prevent the risk of fire or electric shock, never expose this product to rain or humidity.



WARNING! To prevent electric shock hazard, do not connect to mains power supply while grille is removed



WARNING! to reduce the risk of electric shock, do not disassemble this product unless you are qualified. Refer servicing to qualified service personnel.

CORRECT DISPOSAL OF THIS PRODUCT



This product should be handed over to an authorized collection site for recycling waste electrical and electronic equipment (EEE). Improper handling of this type of waste could have a possible negative impact on the environment and human health due to potentially hazardous substances that are generally associated with EEE. At the same time, your cooperation in the correct disposal of this product will contribute to the effective usage of natural resources. For more information about where you can drop off your waste equipment for recycling, please contact your local city office, waste authority or your household waste disposal service.

CARE AND MAINTENANCE

To ensure a long-life service, this product should be used following these advices:

- If the product is intended to be set up outdoors, be sure it is under cover and protected to rain and moisture.
 - If the product needs to be used in a cold environment, slowly warm up the voice coils by sending a low-level signal for about 15 minutes before sending high-power signals.
 - Always use a dry cloth to clean the exterior surfaces of the speaker and always do it when the power is turned off.
-



CAUTION: to avoid damaging the exterior finishes do not use cleaning solvents or abrasives.



WARNING! CAUTION! For powered speakers, do cleaning only when the power is turned off.

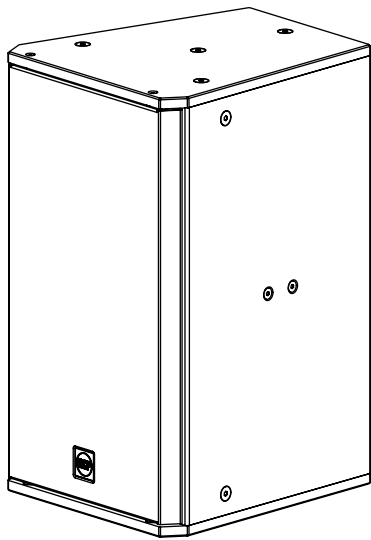
RCF S.p.A. reserves the right to make changes without prior notice to rectify any errors and / or omissions.

Always refer to the latest version of the manual on www.rcf.it.

2. DESCRIPTION

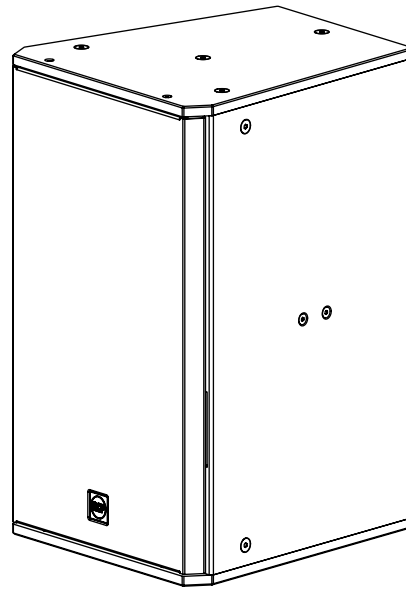
COMPACT C SERIES

COMPACT C is a series of professional two-way fullrange speakers, suitable for a wide range of medium throw applications, even if their balanced sound is a big asset also in nearfield applications. Thanks to the use of top quality neodymium transducers and 100° x 50° constant directivity horn, COMPACT C speakers feature high sensitivity and exceptional sound quality, with smooth and wide frequency response. The incredible, distortion free, SPL level they can provide goes far beyond expectations of such a compact solution. The elegant design with accurate finishing makes COMPACT C speakers suitable for any environment, while optional mounting accessories allow using it for wall or ceiling installations.



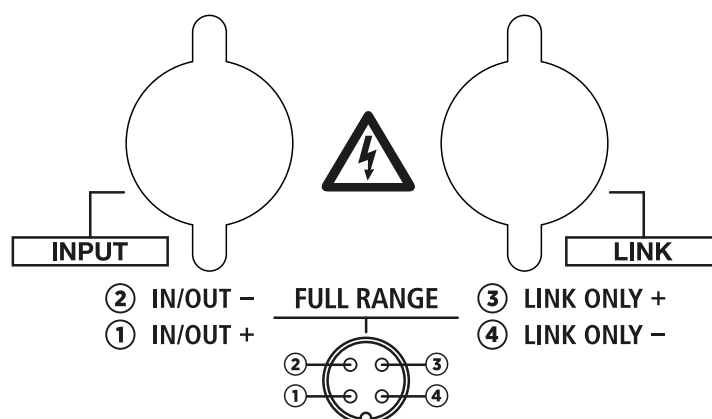
C 32 WP

12" neodymium woofer, 3.0" v.c.
1.4" neodymium compression driver, 3.0" v.c.
Directivity H 100° x V 50°



C 45 WP

15" neodymium woofer, 4.0" v.c.
1.4" neodymium compression driver, 4.0" v.c.
Directivity H 100° x V 50°



The rear panel displays 2 sockets, both for 'Amphenol eco/mat IP 67' (4-pole) plugs:
 The left socket receives the signal from the amplifier; the right one becomes the "THROUGH" socket and be used to link another speaker.

Wire the loudspeakers as FULL RANGE. The impedance value is 8 Ω.



WARNING! CAUTION! Loudspeaker connections should be only made by qualified and experienced personnel having the technical know-how or enough specific instructions (to ensure that connections are made correctly) in order to prevent any electrical danger.

To prevent any risk of electric shock, do not connect loudspeakers when the amplifier is switched on.

Before turning the system on, check all connections and make sure there are no accidental short circuits.

The entire sound system shall be designed and installed in compliance with the current local laws and regulations regarding electrical systems.

The entire sound system shall be designed and installed in compliance with the current local laws and regulations regarding electrical systems.



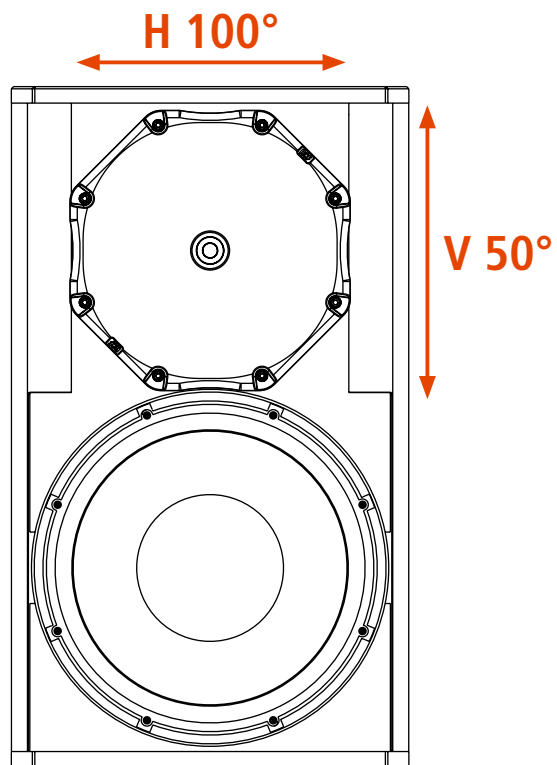
WARNING! CAUTION! Loudspeakers are to be install by qualified personnel, respecting all safety standards. Loudspeakers are to be installed securely.

Make sure the support structure (walls / ceilings) has the necessary mechanical characteristics for the loudspeaker weight, without the risk of a fall that could damage things or cause an injury.

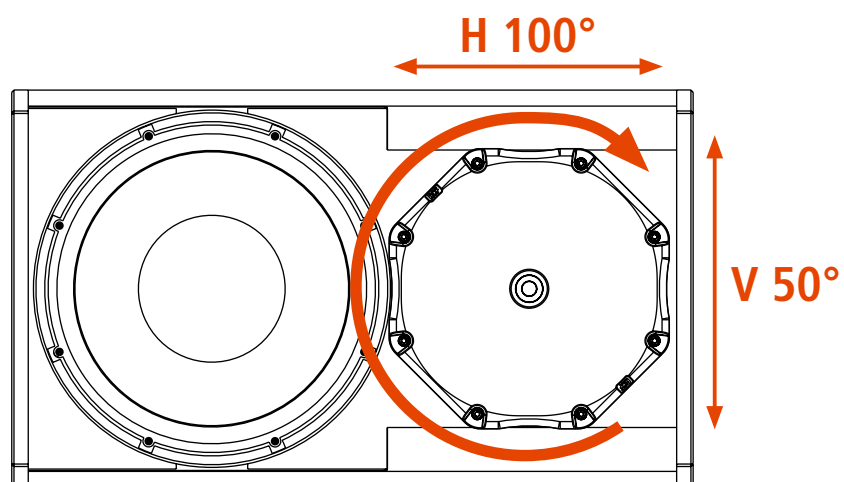
Use attachments elements suitable for walls / ceilings (e.g. wall plugs for bricks, for concrete, etc.).

4. CONFIGURATIONS

Both Compact C 32 WP and C 45 WP can be used either in vertical or horizontal configuration. When used in horizontal configuration, the horn needs to be rotated 90°.



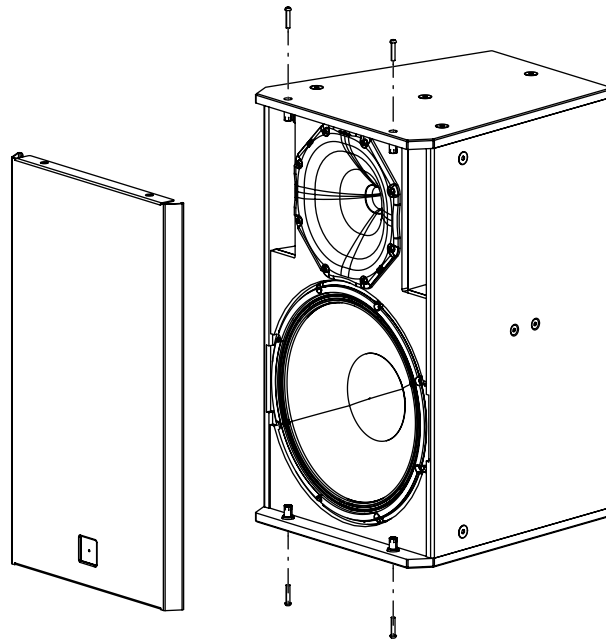
**VERTICAL
CONFIGURATION**



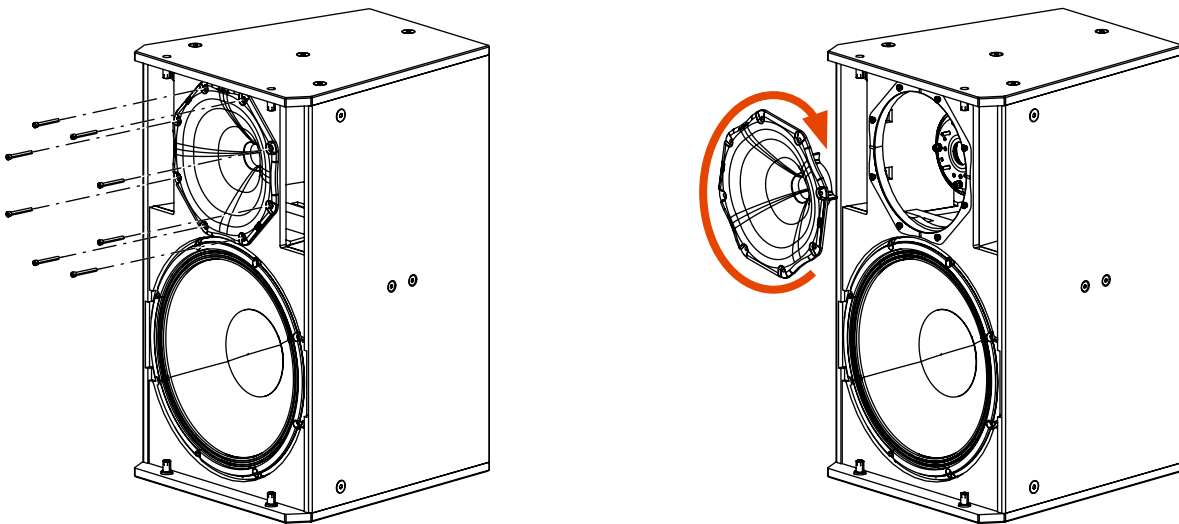
**HORIZONTAL
CONFIGURATION
(horn rotated)**

HORN ROTATION

1. Remove the 4 screws from the top and bottom panel and remove the front grille



2. Remove the 8 screws from the horn and rotate it 90°



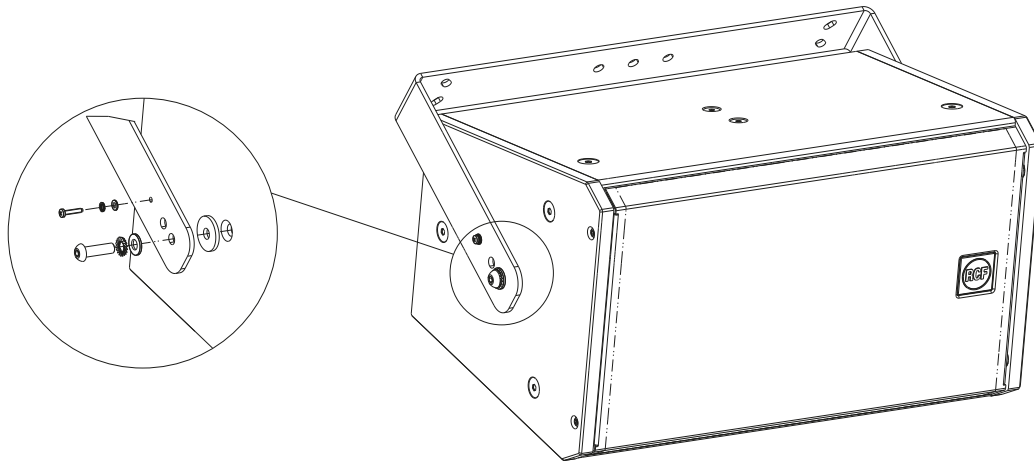
3. Screw back the horn and the grille. The speaker can now be used horizontally.

5. HORIZONTAL MOUNTING WITH U BRACKET

Accessories needed:

- H-BR 2X COMPACT M 12 (for COMPACT C 32 WP);
- H-BR 2X COMPACT C 45 (for COMPACT C 45 WP);

1. Fix the U bracket to the wall / ceiling through at least 4 lateral wall plugs (max. M8) plus a central one (max. M10).
2. Mount the U bracket to the loudspeaker by tightening the two M10x35 bolts into the holes of the loudspeaker top and bottom, as shown in the figure below.



Alternatively, it's possible to install the speaker in a less protruding way by using the other two inner holes on the U bracket. Before tightening the two M10 bolts, adjust the loudspeaker vertical tilt and then (when you found the right angle) fix it through two M4.2x22 self-threading screws (passing through the small hole of the U bracket) directly into the loudspeaker cabinet wood.

i **NOTE:** instead of simple M10 bolts, it is possible to use the M10 bolt included knobs.

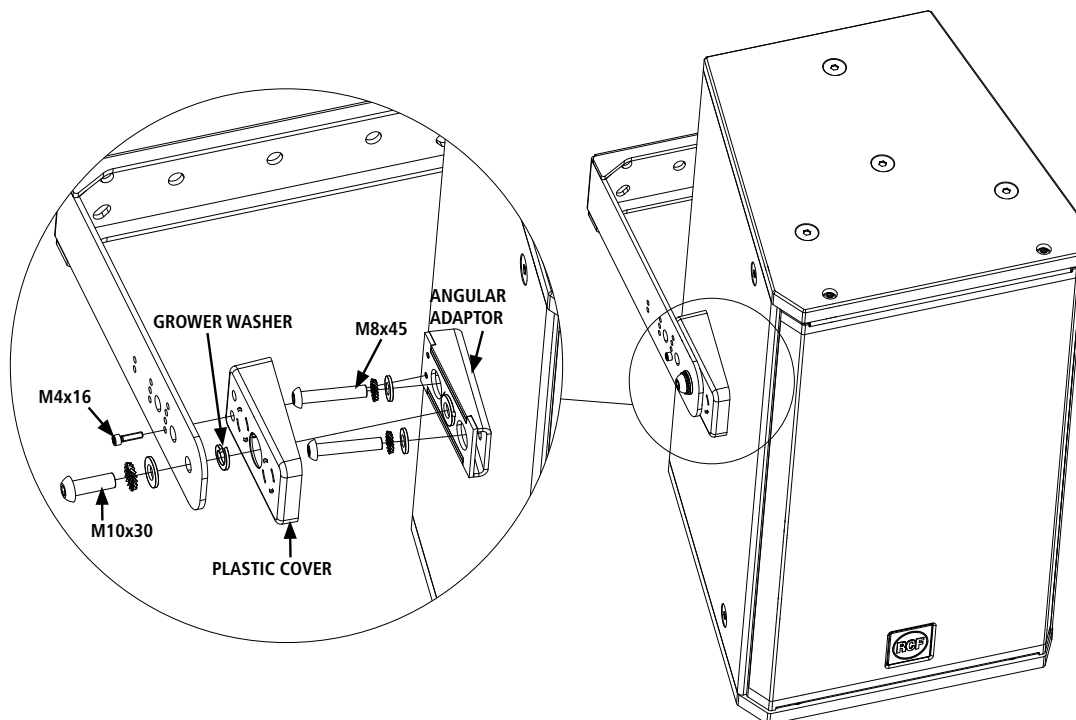
! **CAUTION:** do not tilt the loudspeaker upwards.

6. VERTICAL MOUNTING WITH U BRACKET

Accessories needed:

- V-BR 2X COMPACT M 12 (for COMPACT C 32 WP);
- V-BR 2X COMPACT C 45 (for COMPACT C 45 WP);

Fix the U bracket to the wall / ceiling through at least 4 lateral wall plugs (max. M8) plus a central one (max. M10).



1. After removing the screws on the speaker sides, fix the angular adaptor on the speaker with the M8x45 screws.
2. Place the plastic cover on the angular adaptor.
3. Fix the bracket to the speaker with the M10x30 screws placing a grower washer between the bracket and the plastic cover.

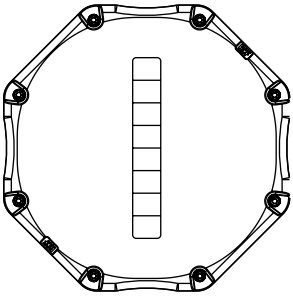
Set the speaker vertical tilt and fix the inclination by screwing the two M6 screws on the adaptor.

i NOTE: alternatively, a less protruding installation is possible thanks to the inner holes of the U bracket.

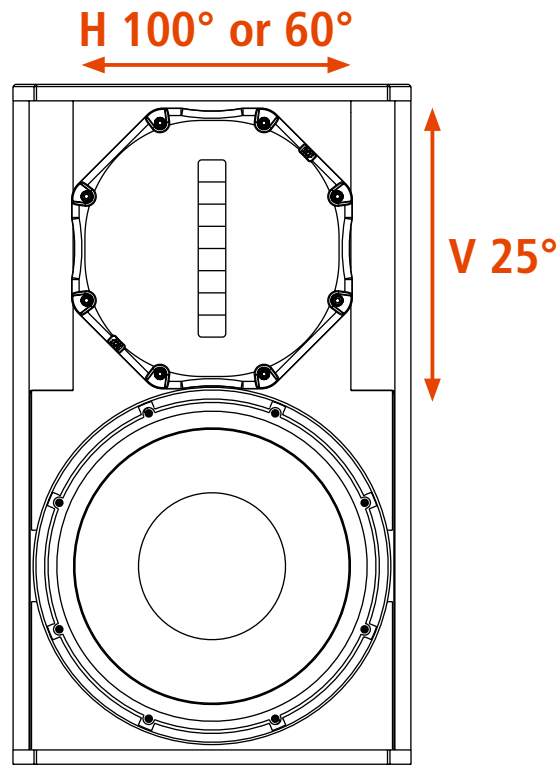
! CAUTION: do not tilt the loudspeaker upwards.

7. HN-KIT COMPACT C 32 WP C 45 WP

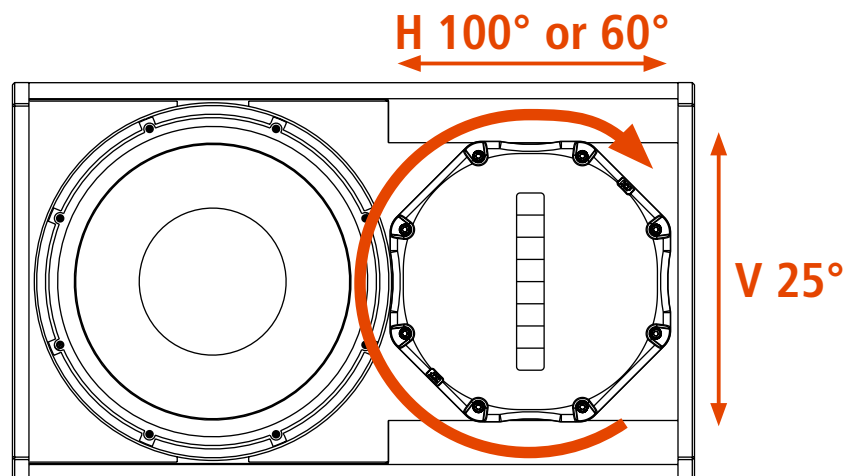
With the use of the accessory **HN-KIT COMPACT C 32 C 45**, it is possible to replace the speaker horn with two different horns and change directivity to $100^\circ \times 25^\circ$ or $60^\circ \times 25^\circ$.



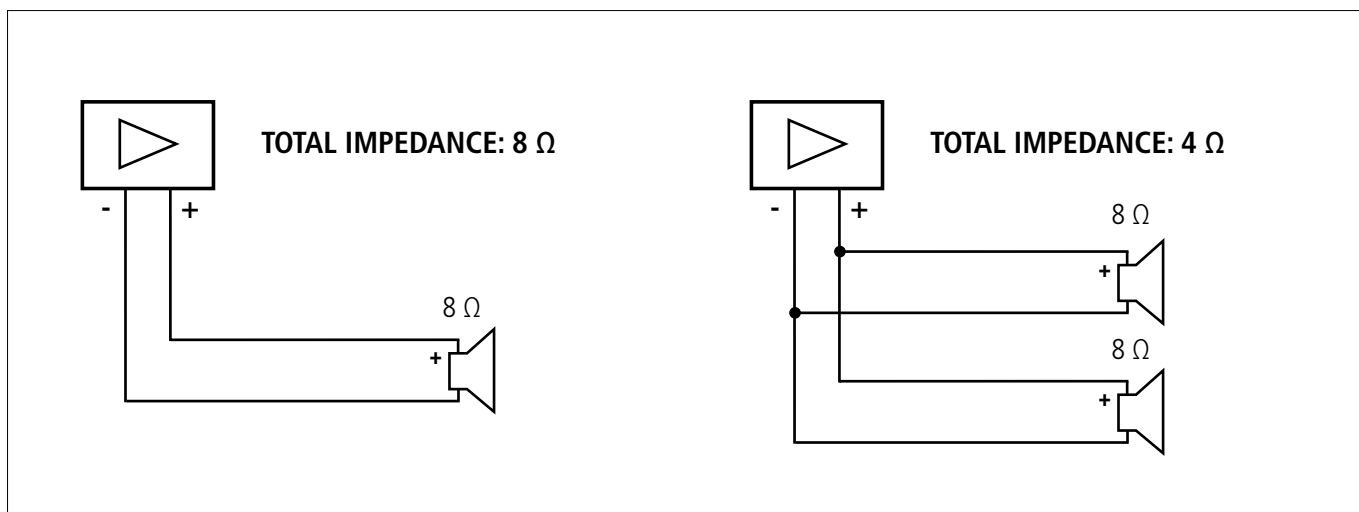
Whether the speaker is used vertically or horizontally the waveguide must always be mounted as shown on the picture on the side.



**VERTICAL
CONFIGURATION**



**HORIZONTAL
CONFIGURATION
(horn rotated)**








  **WARNING! CAUTION!**

- The total loudspeaker impedance must not be lower than the amplifier output impedance. Note: a loudspeaker total impedance equal to the amplifier output one permits to get the maximum deliverable power (but an higher loudspeaker impedance entails less power).
- The total loudspeaker power shall be adequate for the maximum deliverable power of the amplifier.
- The loudspeaker line shall be short (for long distances, it may be necessary to use cables with large cross-section wires).
- Always use cables having wires with an adequate cross-section, considering the cable length and the total loudspeaker power.
- Loudspeaker lines must be kept separated from the mains cables, microphone cables or others, in order to avoid inductive phenomena may cause hum or noises.
- Use loudspeaker cables with twisted wires to reduce hum caused by inductive effects due to coupling with electromagnetic fields.
- Do NOT connect the low impedance input directly to 70 / 100 V constant voltage lines.

1. AVVERTENZE PER LA SICUREZZA E INFORMAZIONI GENERALI

I simboli utilizzati in questo documento notificano importanti istruzioni operative e avvertimenti che devono essere seguiti attentamente.

	CAUTELE	Importante istruzione operativa: notifica un pericolo che potrebbe danneggiare il prodotto, compresa la perdita di dati
	ATTENZIONE	Avvertimento importante riguardante l'uso di voltaggi pericolosi e il potenziale rischio di shock elettrico, lesioni personali o morte.
	NOTE IMPORTANTI	Informazioni utili e rilevanti sull'argomento
	SUPPORTI, TROLLEY E CARRRELLI	Informazioni riguardanti l'utilizzo di supporti, trolley e carrelli. Suggerisce di muovere con estrema cautela e di non inclinare il carico.
	SMALTIMENTO	Questo simbolo indica che il prodotto non deve essere smaltito con i rifiuti ordinari, così come indicato nella direttiva WEEE (2012/19/EU) e nelle normative nazionali in vigore.

NOTE IMPORTANTI

Questo manuale contiene informazioni importanti sull'uso corretto e sicuro del dispositivo. Prima di collegare e utilizzare questo prodotto, leggere attentamente questo manuale di istruzioni e tenerlo a portata di mano per riferimenti futuri. Il manuale deve essere considerato parte integrante di questo prodotto e deve accompagnarlo in caso di cambio proprietà come riferimento per la corretta installazione e utilizzo nonché per le precauzioni di sicurezza. RCF S.p.A. non si assume alcuna responsabilità per l'installazione e / o l'uso errati di questo prodotto.

PRECAUZIONI DI SICUREZZA

1. Tutte le precauzioni, in particolare quelle di sicurezza, devono essere lette con particolare attenzione, in quanto forniscono informazioni importanti.

2. Alimentazione principale da rete elettrica

- La tensione di rete è sufficientemente elevata da comportare un rischio di folgorazione; installare e collegare questo prodotto prima di collegarlo.
- Prima di accendere, assicurarsi che tutti i collegamenti siano stati eseguiti correttamente e che la tensione della rete corrisponda alla tensione indicata sulla targhetta dei dati sull'unità, in caso contrario, contattare il rivenditore RCF.
- Le parti metalliche dell'unità sono messe a terra attraverso il cavo di alimentazione. Un apparecchio con costruzione di CLASSE I deve essere collegato a una presa di corrente con un collegamento di terra di protezione.
- Proteggere il cavo di alimentazione da danni; assicurarsi che sia posizionato in modo tale da non poter essere calpestato o schiacciato da oggetti.
- Per evitare il rischio di scosse elettriche, non aprire mai questo prodotto: non sono previste parti interne alle quali l'utente debba accedere.
- Fare attenzione: nel caso di un prodotto provvisto solo di connettori POWERCON e senza cavo di alimentazione, congiuntamente ai connettori POWERCON tipo NAC3FCA (alimentazione) e NAC3FCB (alimentazione), devono essere usati i seguenti cavi di alimentazione conformi alla norma nazionale:
 - EU: cavo di tipo H05VV-F 3G 3x2.5 mm² - Standard IEC 60227-1
 - JP: cavo di tipo VCTF 3x2 mm²; 15Amp/120V~ - Standard JIS C3306
 - US: cavo di tipo SJT/SJO 3x14 AWG; 15Amp/125V~ - Standard ANSI/UL 62

3. Assicurarsi che nessun oggetto o liquido penetri in questo prodotto poiché ciò potrebbe causare un corto circuito. Questo apparecchio non deve essere esposto a gocciolamenti o spruzzi. Nessun oggetto riempito di liquido, come vasi, deve essere posizionato su questo apparecchio. Nessuna fiamma libera (come candele accese) deve essere posizionata su questo apparecchio.

4. Non tentare mai di eseguire operazioni, modifiche o riparazioni non espressamente descritte nel presente manuale.

Contattare il centro di assistenza autorizzato o personale qualificato qualora si verifichi una delle seguenti condizioni:

- **Il prodotto non funziona (o funziona in modo anomalo).**
- **Il cavo di alimentazione è stato danneggiato.**
- **Oggetti o liquidi sono entrati nell'unità.**
- **Il prodotto ha subito un forte urto.**

5. Se questo prodotto non viene utilizzato per un lungo periodo, scollegare il cavo di alimentazione.

6. Se questo prodotto inizia a emettere strani odori o fumo, spegnerlo immediatamente e scollegare il cavo di alimentazione.

7. Non collegare questo prodotto ad apparecchiature o accessori non previsti.

Per l'installazione sospesa, utilizzare solo i punti di ancoraggio dedicati e non tentare di appendere questo prodotto utilizzando elementi non idonei o non specifici per questo scopo. Verificare inoltre l'idoneità della superficie di supporto a cui è ancorato il prodotto (parete, soffitto, struttura, ecc.) a dei componenti utilizzati per il fissaggio (tasselli, viti, staffe non fornite da RCF ecc.) che devono garantire sicurezza del sistema / installazione nel tempo, anche considerando, ad esempio, le vibrazioni meccaniche normalmente generate dai trasduttori.

Per evitare il rischio di caduta dell'apparecchiatura, non impilare più unità di questo prodotto a meno che questa possibilità non sia specificata nel manuale dell'utente.

8.RCF S.p.A. raccomanda vivamente che questo prodotto sia installato solo da installatori professionisti qualificati (o aziende specializzate) che possono garantire la corretta installazione e certificarlo secondo le normative vigenti.

L'intero sistema audio deve essere conforme agli standard e alle normative vigenti in materia di sistemi elettrici.

9. Supporti, trolley e carrelli.



L'apparecchiatura deve essere utilizzata, ove necessario, solo su supporti, trolley e carrelli consigliati dal produttore. L'apparecchiatura / supporto / carrello deve essere spostata con estrema cautela. Arresti improvvisi, eccessiva spinta e pavimenti irregolari possono causarne il ribaltamento. Non inclinare mai.

10. Vi sono numerosi fattori meccanici ed elettrici da considerare quando si installa un sistema audio professionale (oltre a quelli strettamente acustici, come la pressione del suono, gli angoli di copertura, la risposta in frequenza, ecc.).

11. Perdita dell'udito.

L'esposizione a livelli sonori elevati può causare la perdita permanente dell'udito. Il livello di pressione acustica che porta alla perdita dell'udito è diverso da persona a persona e dipende dalla durata dell'esposizione. Per prevenire un'esposizione potenzialmente pericolosa a livelli elevati di pressione acustica, chiunque sia esposto a questi livelli dovrebbe usare adeguati dispositivi di protezione. Quando viene utilizzato un trasduttore in grado di produrre alti livelli sonori, è quindi necessario indossare tappi per le orecchie o cuffie protettive. Vedere le specifiche tecniche del manuale per conoscere il livello massimo di pressione sonora.

PRECAUZIONI OPERATIVE

- Posizionare questo prodotto lontano da qualsiasi fonte di calore e garantire sempre un'adeguata circolazione dell'aria attorno ad esso.
- Non sovraccaricare questo prodotto per molto tempo.
- Non forzare mai gli elementi di controllo (tasti, manopole, ecc.).
- Non utilizzare solventi, alcool, benzene o altre sostanze volatili per pulire le parti esterne di questo prodotto.



NOTE IMPORTANTI

Per evitare di verificarsi di disturbi sui cavi di segnale in linea, utilizzare solo cavi schermati ed evitare di avvicinarli a:

- **Apparecchiature che producono campi elettromagnetici ad alta intensità**
- **Cavi di alimentazione**
- **Linee di altoparlanti**



ATTENZIONE! CAUTELA! Per evitare il rischio di incendi o scosse elettriche, non esporre mai questo prodotto a pioggia o umidità.



ATTENZIONE! Per evitare il rischio di scosse elettriche, non collegare all'alimentazione di rete mentre la griglia è rimossa.



WARNING! Per ridurre il rischio di scosse elettriche, non smontare questo prodotto se non si è qualificati. Per l'assistenza rivolgersi a personale di assistenza qualificato

SMALTIMENTO CORRETTO DI QUESTO PRODOTTO



Questo prodotto deve essere consegnato a un sito di raccolta autorizzato per il riciclaggio di apparecchiature elettriche ed elettroniche (AEE). Una manipolazione impropria di questo tipo di rifiuti potrebbe avere un possibile impatto negativo sull'ambiente e sulla salute umana a causa di sostanze potenzialmente pericolose che sono generalmente associati alle AEE. Allo stesso tempo, la vostra collaborazione per il corretto smaltimento di questo prodotto contribuirà all'utilizzo efficace delle risorse naturali. Per ulteriori informazioni su dove sia possibile scaricare le attrezzature per il riciclaggio, si prega di contattare l'ufficio comunale locale, l'autorità competente per i rifiuti o il servizio di smaltimento dei rifiuti domestici .

CURA E MANUTENZIONE

Per garantire un servizio di lunga durata, questo prodotto deve essere utilizzato seguendo questi consigli:

- Se il prodotto deve essere installato all'aperto, assicurarsi che sia coperto e protetto da pioggia e umidità.
- Se il prodotto deve essere utilizzato in un ambiente freddo, riscaldare lentamente le bobine vocali inviando un segnale di basso livello per circa 15 minuti prima di inviare segnali ad alta potenza.
- Utilizzare sempre un panno asciutto per pulire le superfici esterne dell'altoparlante e farlo sempre quando l'alimentazione è spenta



CAUTELA! Per evitare di danneggiare le finiture esterne non utilizzare solventi per la pulizia o abrasivi.



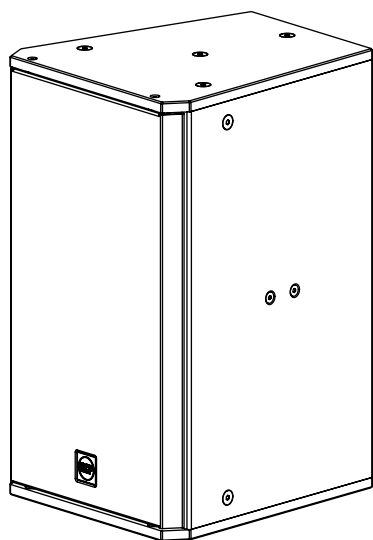
ATTENZIONE! CAUTELA! Per gli altoparlanti alimentati, eseguire la pulizia solo quando l'alimentazione è spenta.

RCF S.p.A. si riserva il diritto di apportare modifiche senza preavviso per rettificare eventuali errori e/o omissioni.

Fare sempre riferimento all'ultima versione del manuale su www.rcf.it.

SERIE COMPACT C

La serie COMPACT C è composta da diffusori fullrange professionali a due vie, adatti per un'ampia gamma di applicazioni a media gittata e per applicazioni nearfield. Grazie all'utilizzo di trasduttori in neodimio di alta qualità e tromba a direttività costante 100° x 50°, i diffusori COMPACT C sono caratterizzati da un'elevata sensibilità e un'eccezionale qualità del suono, con una risposta in frequenza ampia e uniforme. L'incredibile livello SPL senza distorsioni va ben oltre le aspettative per una soluzione così compatta. Il design elegante con finiture accurate rende i diffusori COMPACT C adatti a qualsiasi ambiente, mentre accessori di montaggio opzionali ne consentono l'utilizzo per installazioni a parete o a soffitto.

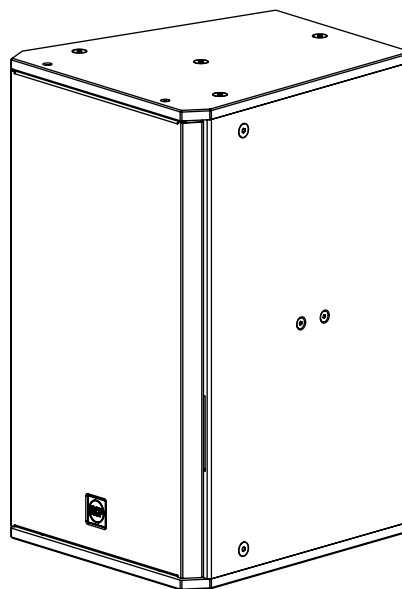


C 32 WP

Woofer in neodimio da 12", con bobina da 3.0"

Driver a compressione in neodimio da 1.4"
con bobina da 3.0"

Direttività H 100° x V 50°

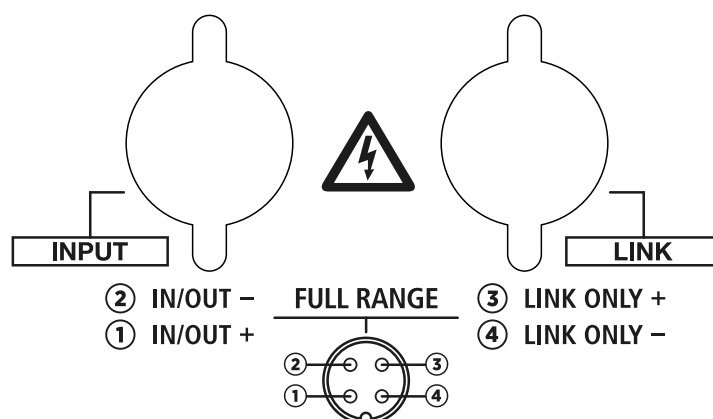


C 45 WP

Woofer in neodimio da 15", con bobina da 4.0"

Driver a compressione in neodimio da 1.4"
con bobina da 4.0"

Direttività H 100° x V 50°



Il pannello posteriore presenta due prese, entrambe per connettori 'Amphenol eco/mat IP 67' (a 4 poli):

La presa di sinistra riceve il segnale dall'amplificatore; l'altra diventa la presa "THROUGH" e può essere usata per rilanciare il segnale a un altro diffusore.

Collegare i diffusori come FULL RANGE. La loro impedenza è 8 Ω.



ATTENZIONE! CAUTELA! Per il collegamento del diffusore si raccomanda di rivolgersi a personale qualificato ed addestrato, ossia personale avente conoscenze tecniche o esperienza o istruzioni specifiche sufficienti per permettergli di realizzare correttamente le connessioni e prevenire i pericoli dell'elettricità.

Per evitare il rischio di shock elettrici, non collegare il diffusore con l'amplificatore acceso.

Prima di far funzionare il diffusore, è buona norma ricontrollare tutte le connessioni, verificando attentamente che non vi siano dei cortocircuiti accidentali. Tutto l'impianto di sonorizzazione dovrà essere realizzato in conformità con le norme e le leggi vigenti in materia di impianti elettrici.



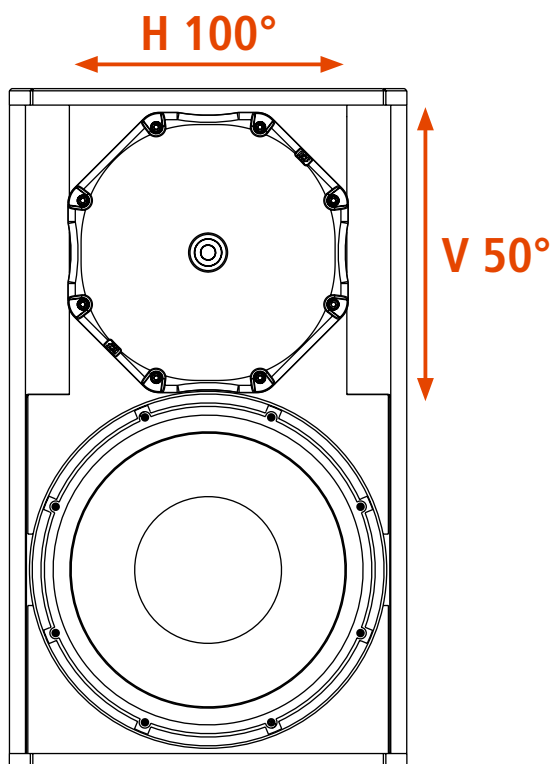
ATTENZIONE! CAUTELA! L'installazione dei diffusori deve essere effettuata da personale qualificato rispettando gli standard di sicurezza.

Eeguire un'installazione sicura di ogni diffusore, controllando che la struttura di supporto (es. parete, soffitto, ecc.) abbia le necessarie caratteristiche meccaniche, tali da consentirle di sopportarne il peso senza il pericolo di cadute che potrebbero compromettere l'incolumità di persone e/o danneggiare cose.

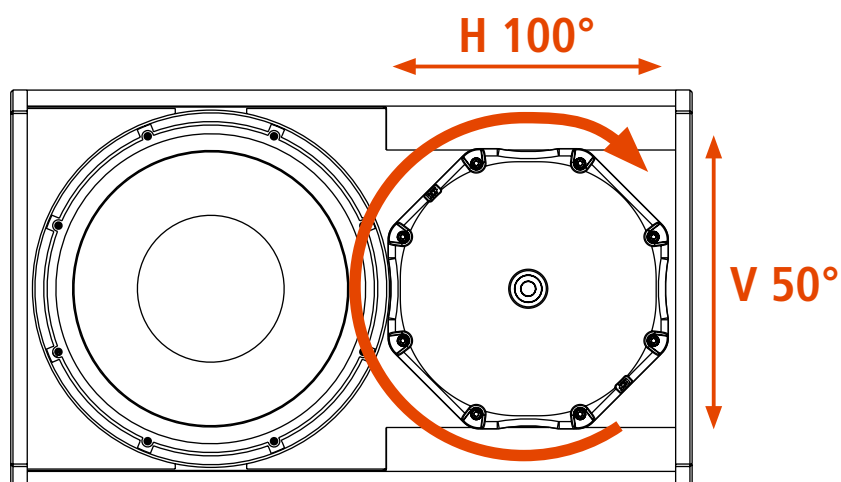
Utilizzare elementi di fissaggio adatti al tipo di struttura che deve sostenere i diffusori (es. tasselli per mattoni forati, calcestruzzo, ecc.).

4. CONFIGURAZIONI

Entrambi i diffusori Compact C 32 WP e C 45 WP possono essere utilizzati sia in configurazione verticale che orizzontale. Se vengono utilizzati in configurazione orizzontale, la tromba deve essere ruotata di 90°.



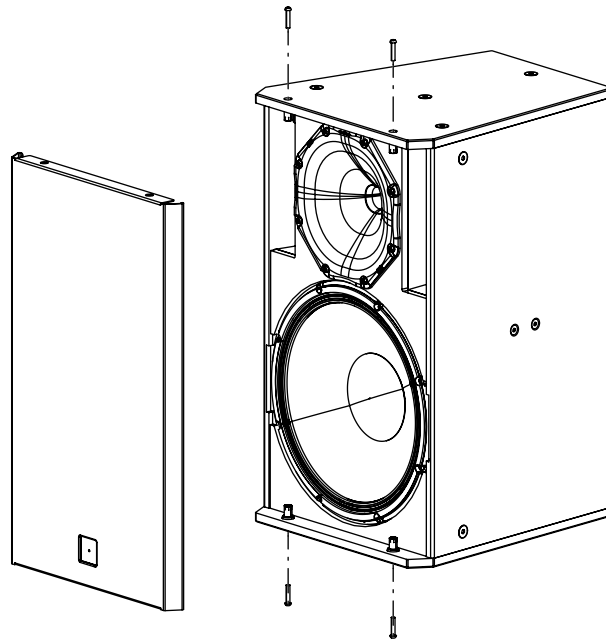
**CONFIGURAZIONE
VERTICALE**



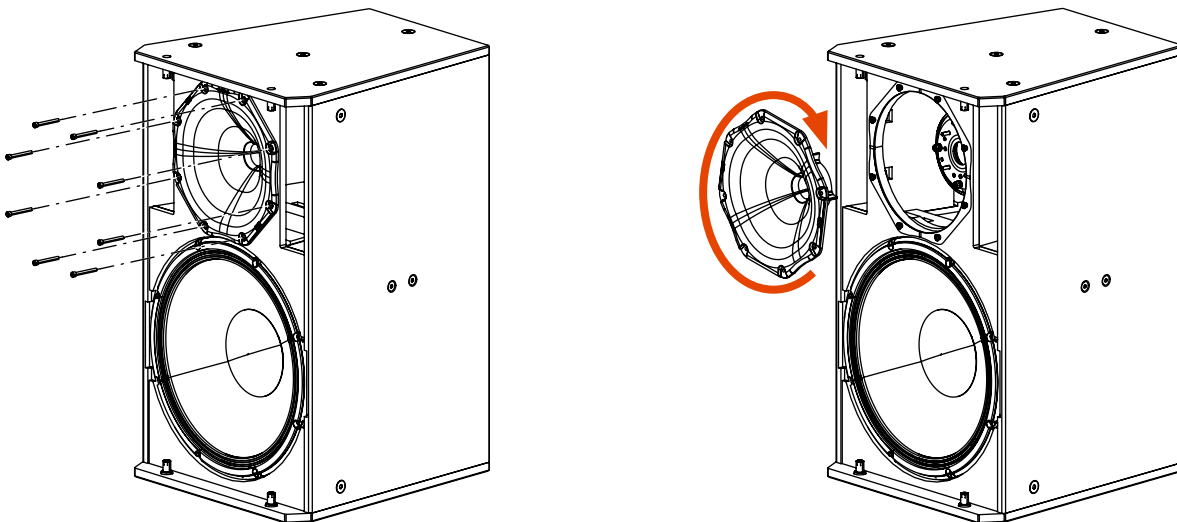
**CONFIGURAZIONE
ORIZZONTALE
(tromba ruotata)**

ROTAZIONE DELLA TROMBA

1. Rimuovere le 4 viti dal lato superiore e inferiore e rimuovere la griglia frontale



2. Rimuovere le 8 viti dalla tromba e ruotarla di 90°



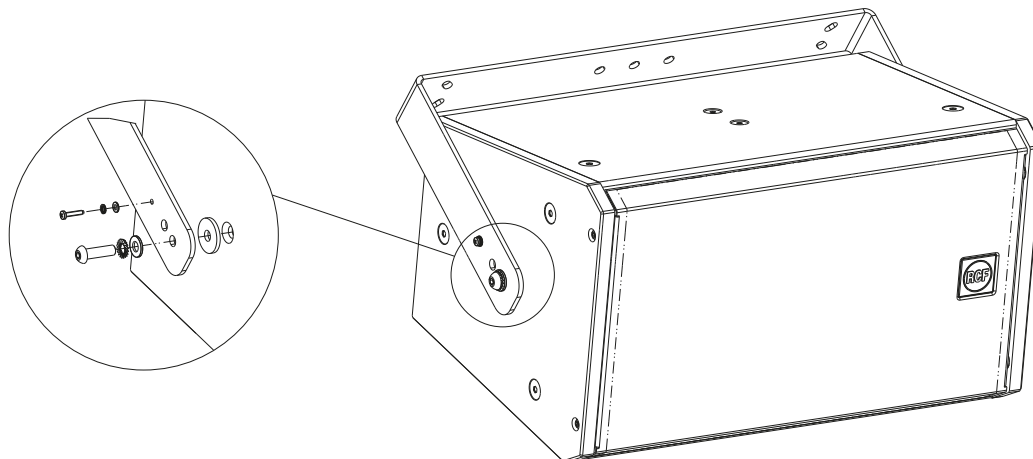
3. Riavvitare tromba e griglia. Ora il diffusore può essere utilizzato orizzontalmente.

5. INSTALLAZIONE IN POSIZIONE ORIZZONTALE TRAMITE STAFFA AD "U"

Accessori necessari:

- H-BR 2X COMPACT M 12 (per COMPACT C 32 WP);
- H-BR 2X COMPACT C 45 (per COMPACT C 45 WP);

1. Fissare la staffa ad U alla parete od al soffitto tramite almeno 4 tasselli laterali (max. M8) ed uno centrale (max. M10).
2. Installare il diffusore alla staffa ad U avvitando i due bulloni M10x35 nei fori sui lati superiore ed inferiore del diffusore, come mostrato nella figura sotto.



Come alternativa, è possibile un'installazione un po' meno sporgente grazie ai fori più interni della staffa ad U. Prima di stringere i due bulloni M10, regolare l'inclinazione verticale del diffusore e successivamente (quando si è certi dell'angolo) fissarla tramite due viti autofilettanti M4,2x22 (passanti per il foro piccolo della staffa a U) direttamente nel legno del diffusore.

i NOTE: in alternativa ai semplici bulloni M10, è possibile utilizzare le manopole (con bulloni M10) in dotazione.

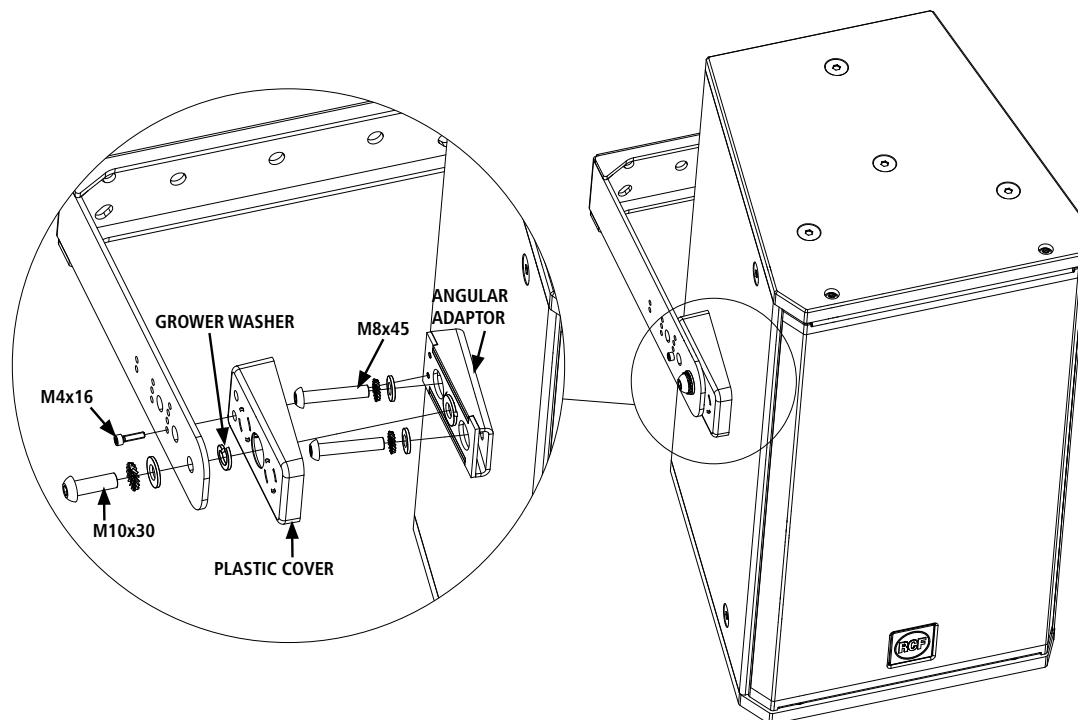
! CAUTELA: non inclinare il diffusore verso l'alto.

6. INSTALLAZIONE IN POSIZIONE VERTICALE TRAMITE STAFFA AD "U"

Accessori necessari:

- V-BR 2X COMPACT M 12 (per COMPACT C 32 WP);
- V-BR 2X COMPACT C 45 (per COMPACT C 45 WP);

Fissare la staffa ad U alla parete od al soffitto tramite almeno 4 tasselli laterali (max. M8) ed uno centrale (max. M10).



1. Dopo aver rimosso le viti avvitate alle pareti laterali del diffusore, fissare l'adattatore angolare sul diffusore tramite le viti M8x45.
2. Posizionare la cover in plastica sull'adattatore angolare.
3. Fissare la staffa al diffusore mediante le viti M10x30 interponendo una rondella spaccata tra la staffa e la cover in plastica.

Regolare l'angolo verticale del diffusore e fissare l'inclinazione avvitando le due viti M6 sull'adattatore.

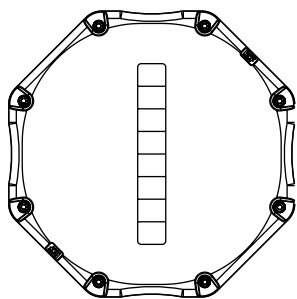
i NOTE: in alternativa, è possibile un'installazione un po' meno sporgente grazie ai fori più interni della staffa ad U..



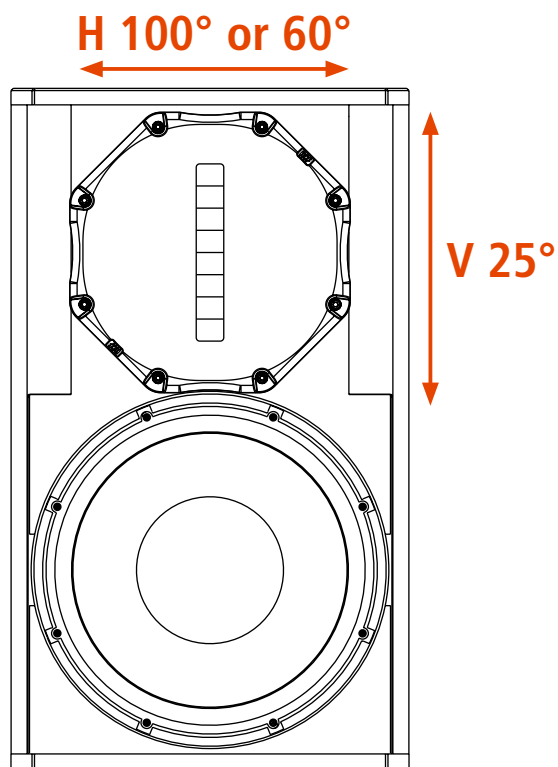
CAUTELA: non inclinare il diffusore verso l'alto.

7. HN-KIT COMPACT C 32 WP C 45 WP

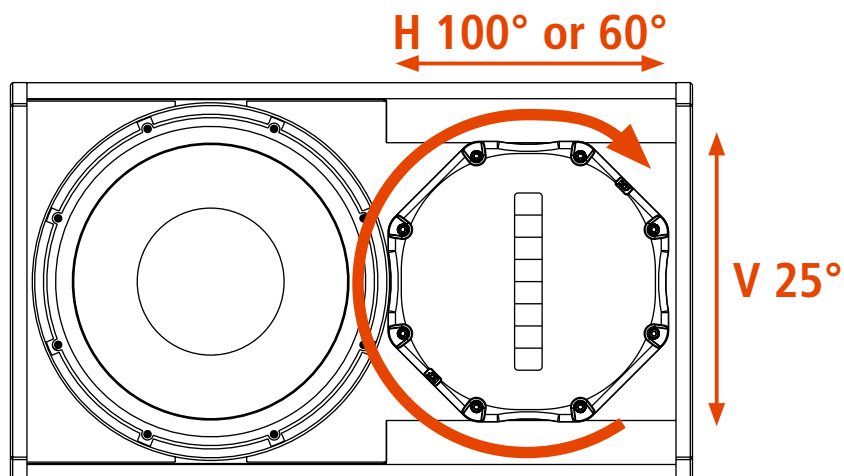
Tramite l'utilizzo dell'accessorio **HN-KIT COMPACT C 32 WP C 45 WP**, è possibile sostituire la tromba del diffusore con due diverse trombe e cambiare la direttività a $100^\circ \times 25^\circ$ o $60^\circ \times 25^\circ$.



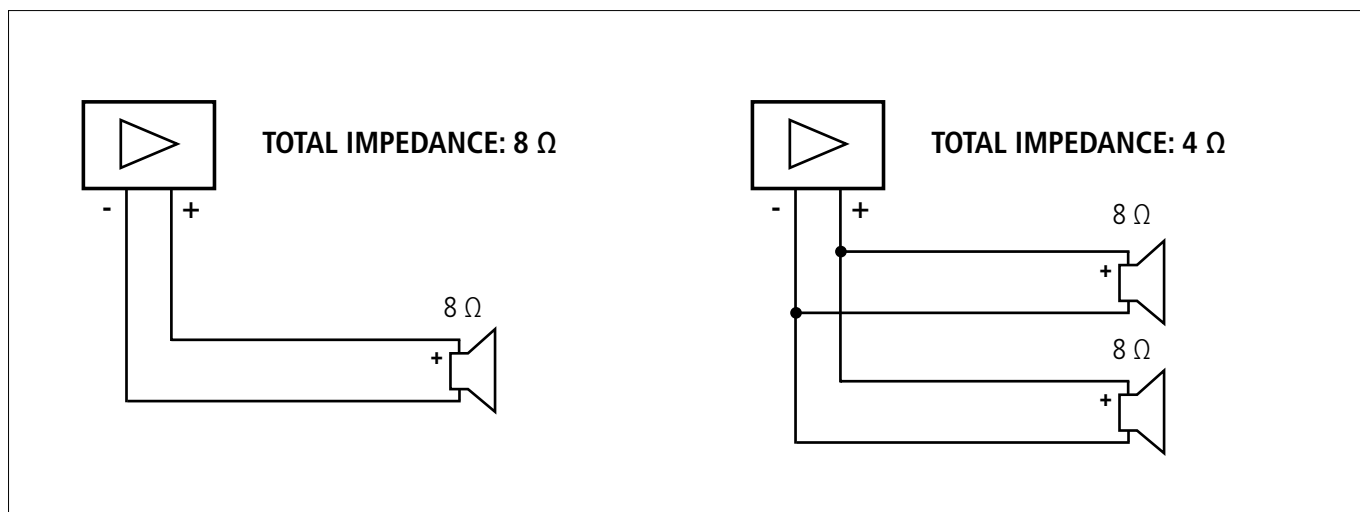
Sia che il diffusore sia utilizzato verticalmente o orizzontalmente, la tromba deve sempre essere orientata come nella foto a fianco.



CONFIGURAZIONE
VERTICALE



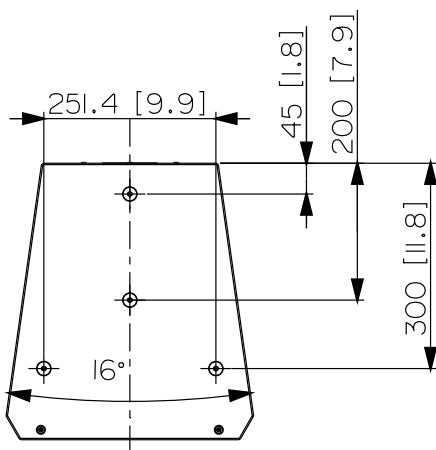
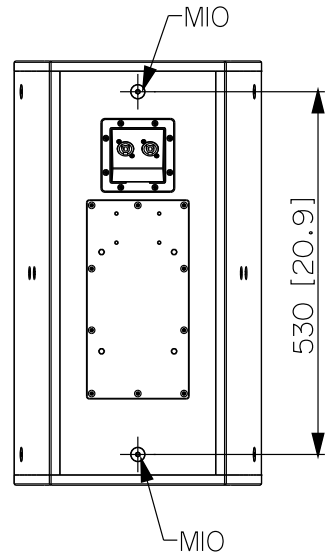
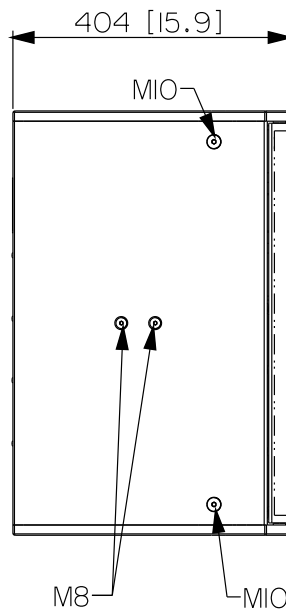
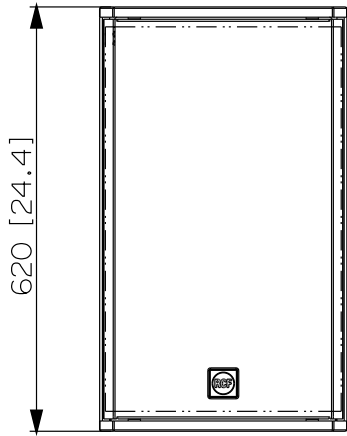
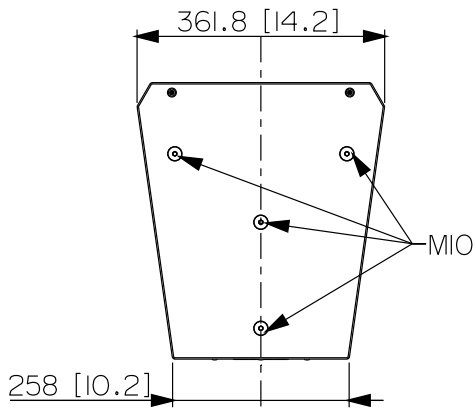
CONFIGURAZIONE
ORIZZONTALE
(tromba ruotata)



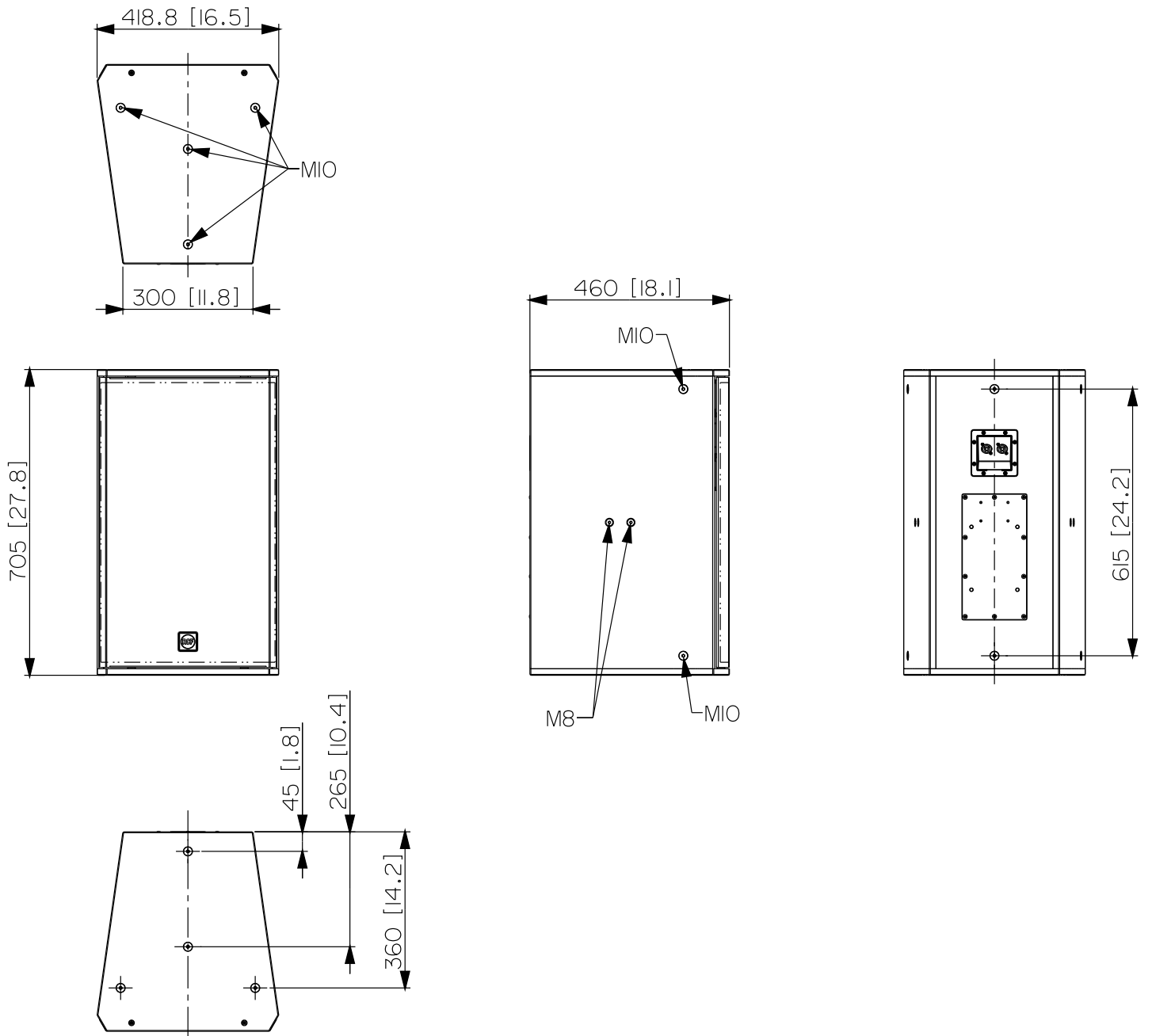
ATTENZIONE! CAUTELA!

- L'impedenza totale dei diffusori non deve essere inferiore a quella d'uscita dell'amplificatore; nota: l'impedenza complessiva dei diffusori uguale a quella d'uscita dell'amplificatore permette l'erogazione della massima potenza (mentre un'impedenza superiore comporta una riduzione della potenza erogata).
- La somma delle potenze dei diffusori deve essere adeguata alla potenza massima erogabile dall'amplificatore.
- La lunghezza delle linee diffusori deve essere ridotta al minimo (una lunga distanza può comportare l'uso di cavi con sezioni elevate).
- Utilizzare dei cavi con conduttori aventi una sezione adeguata, considerando la loro lunghezza e la potenza complessiva dei diffusori.
- Per evitare che fenomeni induttivi diano luogo a ronzii, disturbi e compromettano il funzionamento del sistema, i cavi per i diffusori non devono essere canalizzati assieme ai conduttori dell'energia elettrica, ai cavi microfonici od altre linee.
- Per minimizzare gli effetti induttivi (ronzii) dovuti all'accoppiamento con campi elettromagnetici circostanti, utilizzare cavi con conduttori intrecciati.
- NON collegare gli ingressi dei diffusori direttamente ad una linea a tensione costante (es. 100 V).

COMPACT C 32 WP DIMENSIONS / DIMENSIONI



COMPACT C 45 WP DIMENSIONS / DIMENSIONI



SPECIFICATIONS / DATI TECNICI

		COMPACT C 32 WP	COMPACT C 45 WP
Acoustical specifications	Frequency Response (-10dB):	54 Hz ÷ 20000 Hz	48 Hz ÷ 20000 Hz
	Max SPL @ 1m:	137 dB	138 dB
	Horizontal coverage angle:	100°	100°
	Vertical coverage angle:	50°	50°
	Directivity index Q:	10	10
	System Sensitivity:	97 dB	98 dB
Power section	Amplification:	Full Range	Full Range
	Nominal Impedance:	8 ohm	8 ohm
	Power Handling:	600 W RMS	700 W RMS
	Peak Power Handling:	2400 W PEAK	2800 W PEAK
	Recommended Amplifier:	1200 W	1400 W
	Protections:	Dynamic Active Mosfet	Dynamic Active Mosfet
	Crossover Frequencies:	1100 Hz	1100 Hz
Transducers	Compression Driver:	1 x 1.4" neo, 3.0" v.c	1 x 1.4" neo, 4.0" v.c
	Woofer:	12" neo, 3.5" v.c	15" neo, 4.0" v.c
Input/Output section	Input connectors:	Amphenol eco/mat IP 67	Amphenol eco/mat IP 67
	Output connectors:	Amphenol eco/mat IP 67	Amphenol eco/mat IP 67
Standard compliance	CE marking:	Yes	Yes
Physical specifications	Cabinet/Case Material:	Birch plywood	Birch plywood
	Hardware:	4 x M8, 14 x M10	4 x M8, 14 x M10
	Grille:	Steel with waterproof clothing	Steel with waterproof clothing
	Color:	Black	Black
Size	Height:	620 mm / 24.41 inches	705 mm / 27.76 inches
	Width:	361.8 mm / 14.24 inches	418.8 mm / 16.49 inches
	Depth:	404 mm / 15.91 inches	460 mm / 18.11 inches
	Weight:	23.5 kg / 51.81 lbs	32.5 kg / 71.65 lbs

