

USER MANUAL MANUALE D'USO

MX 3250

- DXT 3000 PAGING SYSTEM FOR EMERGENCY PURPOSES ('VOICE ALARM SYSTEM')
- MX 3250 MAIN UNIT WITH AMPLIFIERS

- DXT 3000 SISTEMA AUDIO PER ANNUNCI ED EMERGENZE
- MX 3250 UNITÀ CENTRALE CON AMPLIFICATORI



TABLE OF CONTENTS INDICE



ENGLISH	
SAFETY PRECAUTIONS	3
DXT 3000 SYSTEM DESCRIPTION	5
BATTERY CONNECTION	6
CONFIGURATION EXAMPLES	7
INSTALLATION AND WIRING	8
FRONT PANEL	20
PARAMETER LIST	22
NOTES ABOUT CONSTANT VOLTAGE SYSTEMS	25
GUIDANCE ON THE MEASUREMENT OF THE SPEAKER LINE IMPEDANCE	25
SPECIFICATIONS	29
FIRE ALARM SYSTEM MONITORING	58
ITALIANO	
AVVERTENZE PER LA SICUREZZA	30
DESCRIZIONE DEL SISTEMA DXT 3000	32
COLLEGAMENTO DELLE BATTERIE	33
ESEMPI DI CONFIGURAZIONI	34
INSTALLAZIONE E COLLEGAMENTI	35
PANNELLO FRONTALE	47
ELENCO DEI PARAMETRI DEI MENÙ	49
NOTE GENERICHE SUI SISTEMI A TENSIONE COSTANTE	53
INDICAZIONI MISURA IMPEDENZA LINEE DIFFUSORI DATI	53
TECNICI	57
MONITORAGGIO DEL SISTEMA D'ALLARME ANTINCENDIO	58



Before connecting and using this product, please read this instruction manual carefully and keep it on hand for future reference. This manual is to be considered an integral part of this product and must accompany it when it changes ownership as a reference for correct installation and use as well as for the safety precautions.

RCF S.p.A. will not assume any responsibility for the incorrect installation and / or use of this product.

WARNING: To prevent the risk of fire or electric shock, never expose this product to rain or humidity. This device is intended for indoor use only.

SAFETY PRECAUTIONS

1. All the precautions, in particular the safety ones, must be read with special attention, as they provide important information.

2.1 PRIMARY POWER SUPPLY FROM MAINS

- The mains voltage is sufficiently high to involve a risk of electrocution: never install or connect this product when its power cord is plugged in.
- Before powering up, make sure that all the connections have been made correctly and the voltage of your mains corresponds to the voltage shown on the rating plate on the unit, if not, please contact your RCF dealer.
- This apparatus can be connected to either TT or TN earthing arrangements only.
- The metallic parts of the unit are earthed by means of the power cord.
- An apparatus with CLASS I construction shall be connected to a mains socket outlet with a protective earthing connection.
- This apparatus shall be connected to a facility equipped device to protect against earth faults, appropriately sized for the type and power of the installed line (RCD).
- Protect the power cord from damage. Make sure it is positioned in a way that it cannot be stepped on or crushed by objects.
- To prevent the risk of electric shock, never open this product: there are no parts inside that the user needs to access.
- The mains plug is used to disconnect the device and it shall remain readily operable.

2.2 SECONDARY (/ EMERGENCY) POWER SUPPLY THROUGH BATTERIES

- The apparatus operating voltage is 24 V dc (therefore, it is necessary to connect two 12 V-battery in series).
- Always use rechargeable batteries, which need to be chosen according to the maximum possible load.
- Verify the polarity of batteries is correct.
- Do NOT short-circuit batteries (i.e. connecting the 2 opposite poles together with metallic wires).
- The internal 24 V dc input is also used to disconnect the device and it shall remain readily operable.
- The 24 V dc power supply does not go beyond the fact that there are dangerous voltages inside the unit.
- Throw empty batteries away according to your country laws about ecology and environment protection.

3. Make sure that no objects or liquids can get into this product, as this may cause a short circuit. This apparatus shall not be exposed to dripping or splashing. No objects filled with liquid (such as vases) and no naked sources (such as lighted candles) shall be placed on this apparatus.


4. Never attempt to carry out any operations, modifications or repairs that are not expressly described in this manual.

Contact your authorized service centre or qualified personnel should any of the following occur:

- The product does not function (or functions in an anomalous way).
- The power cord has been damaged.
- Objects or liquids have got into the product.
- The product has been subjected to a heavy impact.

5. If this product is not used for a long period, disconnect its power cord and batteries.

6. If this product begins emitting any strange smell or smoke, switch it off immediately and disconnect its power cord and batteries.

7. The terminals marked with the symbol  are HAZARDOUS LIVE and their connection is to be made by an INSTRUCTED PERSON or the use of ready-made cables is required.

IMPORTANT



WARNING



8. Do not connect this product to any equipment or accessories not foreseen.

For suspended installation, only use the dedicated anchoring points and do not try to hang this product by using elements that are unsuitable or not specific for this purpose.

Also check the suitability of the support surface to which the product is anchored (wall, ceiling, structure, etc.), and the components used for attachment (screw anchors, screws, brackets not supplied by RCF etc.), which must guarantee the security of the system / installation over time, also considering, for example, the mechanical vibrations normally generated by transducers.

To prevent the risk of falling equipment, do not stack multiple units of this product unless this possibility is specified in this user manual.

9. RCF S.p.A. strongly recommends this product is only installed by professional qualified installers (or specialised firms) who can ensure correct installation and certify it according to the regulations in force.

The entire audio system must comply with the current standards and regulations regarding electrical systems.

10. SUPPORTS AND TROLLEYS

The equipment should be only used on trolleys or supports, where necessary, that are recommended by the manufacturer. The equipment / support / trolley assembly must be moved with extreme caution. Sudden stops, excessive pushing force and uneven floors may cause the assembly to overturn.

11. Mechanical and electrical factors need to be considered when installing a professional audio system (in addition to those which are strictly acoustic, such as sound pressure, angles of coverage, frequency response, etc.).

12. HEARING LOSS

Exposure to high sound levels can cause permanent hearing loss. The acoustic pressure level that leads to hearing loss is different from person to person and depends on the duration of exposure. To prevent potentially dangerous exposure to high levels of acoustic pressure, anyone who is exposed to these levels should use adequate protection devices.

When a transducer capable of producing high sound levels is being used, it is therefore necessary to wear ear plugs or protective earphones.

See the technical specifications in loudspeaker user manuals to know their maximum sound pressure levels.

13. Do not obstruct the ventilation grilles of the unit. Situate this product far from any heat sources and always ensure adequate air circulation around the ventilation grilles.

14. Do not overload amplifiers. Check that amplifier speaker outputs are not shorted.

15. Never force the control elements (keys, knobs, etc.).

16. Do not use solvents, alcohol, benzene or other volatile substances for cleaning the external parts of this product.

Use a dry cloth.

WARNING:

Any change made by unauthorized personnel to the product and / or the system (in which it is installed and configured, including rack cabinets and wiring) may invalidate the CE marking (certification EN 54-16:2008 and EN 54-4:2007) and also the product warranty.



NOTES ABOUT AUDIO SIGNAL CABLES



To prevent the occurrence of noise on microphone / line signal cables, use screened cables only and avoid putting them close to:

- Equipment that produces high-intensity electromagnetic fields.
- Mains cables.
- Loudspeaker lines.

RCF S.p.A. thanks you for purchasing this product, which has been made to guarantee reliability and high performance.

DXT 3000 SYSTEM DESCRIPTION



DXT 3000 is a voice alarm system in compliance with EN 54-16 ('Fire detection and fire alarm systems', part 16: 'Voice alarm control and indicating equipment') and EN 54-4 (Part 4: 'Power supply equipment').

It is suitable for emergency announcements, paging and background music, in small-size environments.

Connections are simple and its use is easy and immediate.

Its settings are user definable, but its emergency functions, which shall meet all system requirements and its installation (UNI ISO 7240-19).

MX 3250 is the main unit with a metallic enclosure for wall-mounting and can be alternatively fitted into a 19" rack cabinet (12 units) by adding its included rack ears.

MX 3250 has all necessary components inside for the system operating, batteries included.

It features a digital sound processor (DSP) that allows a proper equalization.

Every MX 3250 main unit has:

- An audio input for a line made of up to four monitored BM 3804 paging microphones for selective announcements (linked in 'daisy-chain', with or without additional BE 3806 keyboards, according to the max. number of zones).
- An AUX audio input mainly used for a line made of one or more BM 3022 paging microphones (not monitored and linked in 'daisy-chain') for general calls only. This input has also the VOX automatic priority (if enabled in the display menu) when an audio signal is detected.
- A simple MP3 player on its front panel, with an additional AUX IN (1/8" jack) for external audio sources.
- Logic inputs and outputs to interface to the fire alarm system (or others).
- An internal player of pre-recorded messages stored on monitored SD CARD.
- An internal slot for the INTERLINK board (optional), necessary to link more main units one another.

Each MX 3250 main unit can be delivered with either two or (on request) four / six built-in RCF class D+ power amplifiers (according to the needs), in order to have either two or four / six zones.

Thanks to its internal digital matrix, each power amplifier can send to its zone a different signal (among all the available, e.g. emergency / routine announcements, pre-recorded messages, background music).

The last available amplifier (the second or the fourth or the sixth) can be alternatively used as spare (with automatic change-over).

The total maximum output power (sum of all zones) is 250 W and is freely assignable to each zone.

Amplifier outputs are for 100 V / 70 V constant voltage speaker lines.
Each zone has two outputs (to get redundant lines).

MX 3250 main unit has a backup power supply that meets the EN 54-4 standard, with recharging unit and check of batteries, which can be chosen among different capacities (depending on the configuration and requirements): 7 – 12 – 18 Ah.

To ensure a full system efficiency, it is strongly advised to check batteries every two years and replace them if necessary.

Electronically, the system is composed of:

- Main board
- Power supply board (EN 54-4:2007 compliant)
- 1, 2 or 3 amplifier boards, each having 2 amplifiers (total max. output power: 250 W)
- Front panel board, for settings, maintenance and control
- MP3 audio player
- Message player board with monitored SD CARD

DXT 3000 SYSTEM PAGING MICROPHONES

BM 3804

Monitored and preamplified desk-top paging microphone, with gooseneck and electret capsule, for selective calls on different zones selected through its keyboard.

Up to four BM 3804 paging microphones (interlocked one another) can be linked in 'daisy-chain' (and directly connected to the MX 3250 main unit).

The total cable length (CAT 6 FTP or J-type) cannot exceed 1 km.

BE 3806

Additional keyboard for BM 3804 paging microphones, with six pre-configured keys.

BM 3022

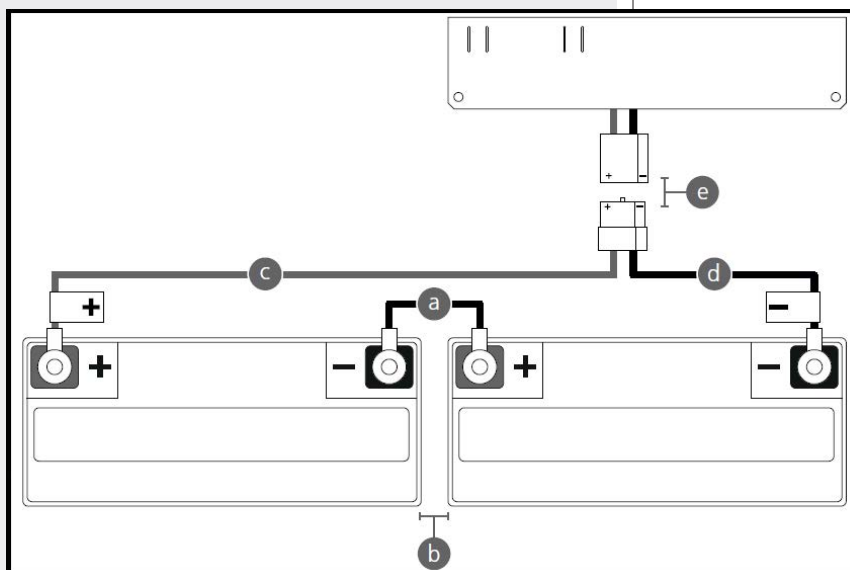
Preamplified desk-top paging microphone, with gooseneck and electret capsule, for general calls only. Up to thirty BM 3022 paging microphones can be linked in 'daisy-chain' (in a single line) and used either in mixing (more microphones turned on simultaneously) or in lock mode (only a microphone activated at a time).

BATTERY CONNECTION



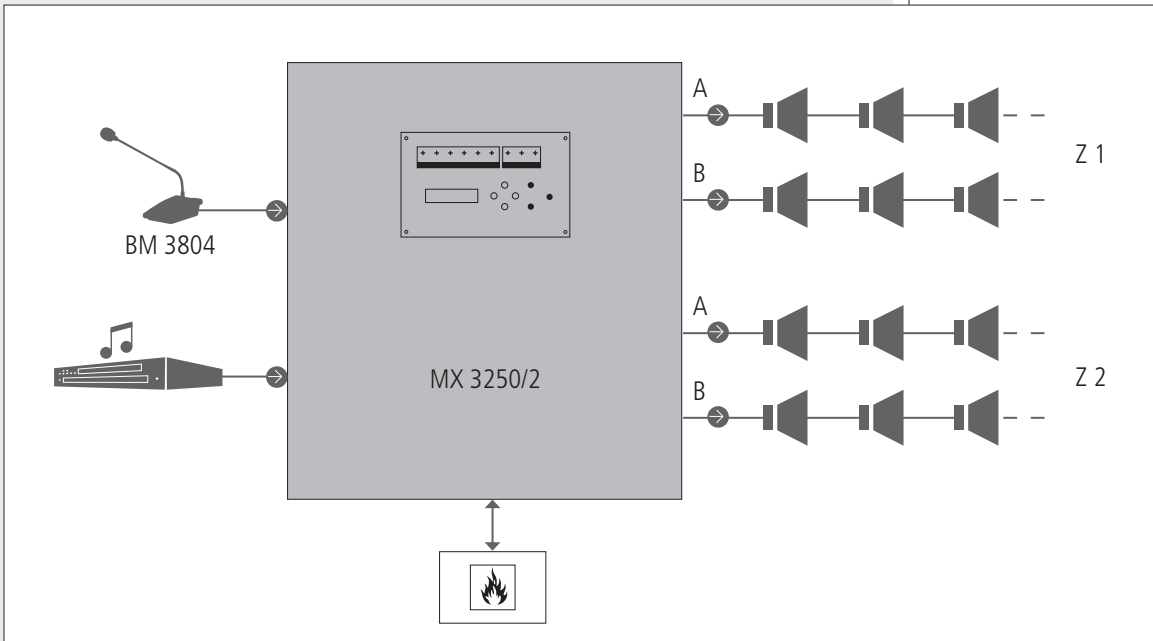
NOTE: connect the batteries to the system before the mains power supply.

- a) Link the two central poles to connect the two batteries in series by using the included short cable.
- b) Place the two batteries inside the MX 3250 central unit, leaving at least 2 cm between them.
- c) Connect the positive (+) pole of the first battery to the RED wire coming from the power supply board located behind the metal screen.
- d) Connect the negative pole (-) of the second battery to the BLACK wire coming from the power supply board located behind the metal screen.
- e) Finally link both wires to the power supply board through the dedicated connector.

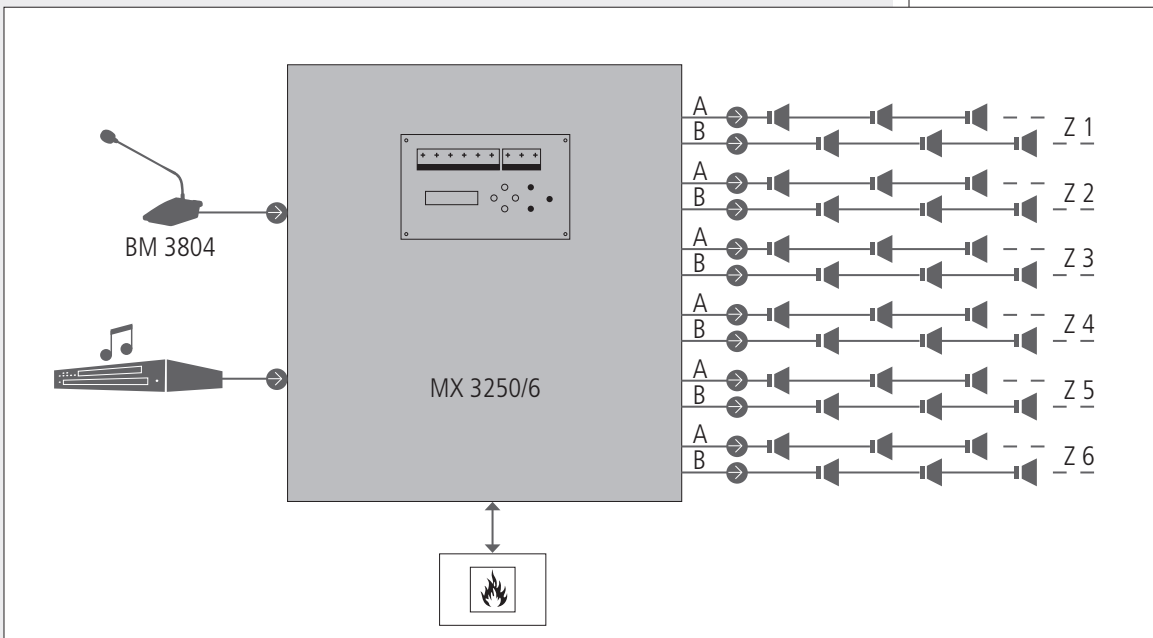




A basic configuration (for instance, including a MX 3250/2 main unit, a BM 3804 paging microphone and, eventually, an additional optional external music source) is suitable for a system with either a single zone or two, in which the total speaker power does not exceed 250 W (in any proportion, on two independent speaker lines per each zone). Several logic inputs / outputs are available to get DXT 3000 interfaced to the fire alarm system (or others). In case of a single-zone system, the second amplifier is used as spare (with automatic change-over).



On request, the main unit can be delivered with four (MX 3250/4) / six (MX 3250/6) built-in power amplifiers. The overall power is always 250W and it can be freely shared among the four / six zones. The last amplifier (the fourth or the sixth) can be alternatively used as spare (with automatic change-over).





IMPORTANT: this manual section is for only trained and qualified personnel for installation and maintenance of the system.

MX 3250 WALL-MOUNTING / 19" RACK MOUNTING

The main unit shall be placed in a closed environment, within a protected area not subject to conditions that may affect its operation, for example: moisture, salt, water infiltration, extreme temperatures, shocks, etc. .

It can be:

- Wall surface mounted
- Semi-flush mounted
(the recess shall be 140-145 mm / 5½" - 5¾" deep)
- Rack mounted (19" – 12 units).

The main unit should be placed at a height that makes it easily accessible.
The front panel display should be at eye level.

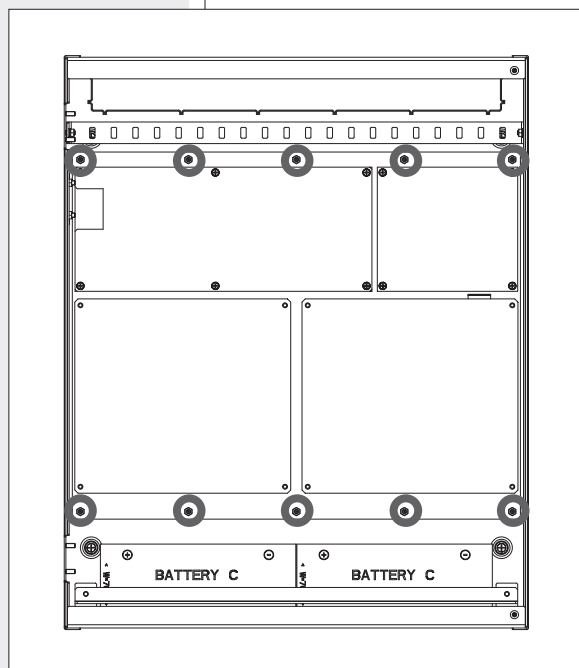
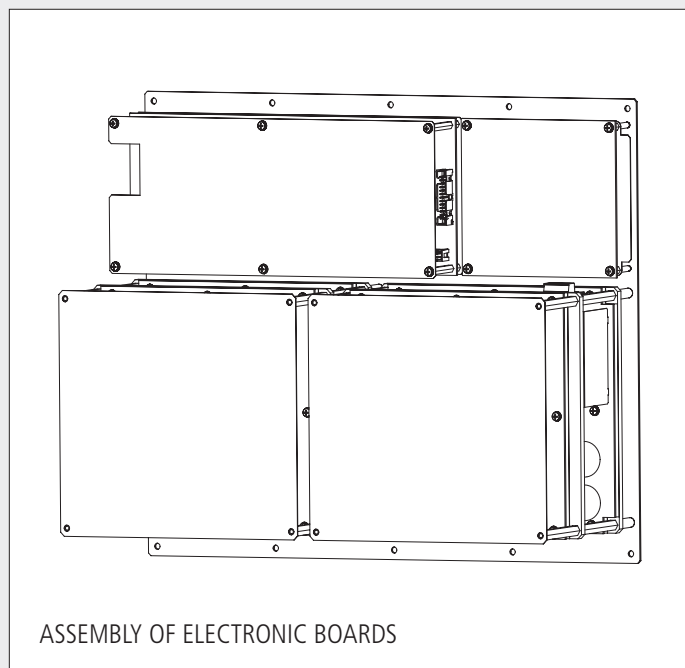
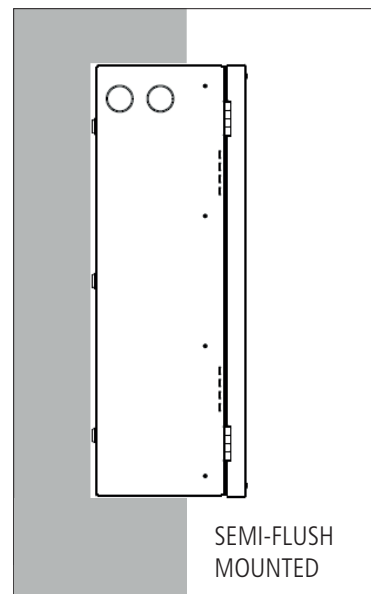
If mounted into a 19" rack cabinet through its included rack ears, there must be at least a 12-unit free room.

Enclosure knockouts should be removed with a sharp tap in their rim by using a flat screwdriver.

Audio signal cables, speaker lines and power cords shall be kept separate from one another.

Enclosure wall surface mounting:

1. Make sure the MX 3250 main unit is not plugged to the mains (otherwise, unplugged the power cord).
2. Unscrew the two screws at the corners on the right side of the front panel to open the main unit and be careful NOT to touch the components of the electronic boards (to avoid any possible damage caused by electrostatic discharge).
3. Disconnect and remove batteries (if present).
4. Unscrew the ten bolts (five upper and five lower, shown in the figure) and remove the assembly of electronic boards from its frame.

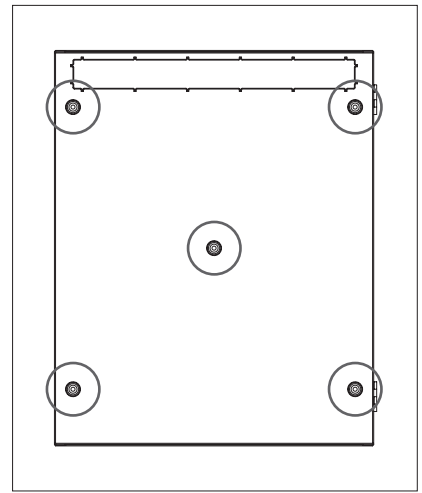


5. Fix the enclosure to the wall by using five suitable wall plugs having M5 screws passing through its holes (diameter: 5.5 mm) shown in the figure.

6. Re-mount the assembly of electronic boards.

After mounting the enclosure, set the internal **SWITCH OFF/ON** dip-switch 17 to OFF and then proceed with the connection of all external devices (e.g. paging microphones, music sources, logic inputs and outputs), speaker lines and, finally, the batteries.

At the end, connect the mains power supply and turn the system on by setting the **SWITCH OFF/ON** dip-switch to ON.



STARTUP PROCEDURE

To turn the system on correctly, avoiding any risk for installers, it is necessary proceed as follows:

1. Ensure the main unit is not powered from mains and batteries are disconnected.
2. Make sure the main board dip-switch no. 6 (SWITCH ON/OFF) 17 is set to OFF.
3. Connect the batteries. See "Battery Connection" at page 6.
4. Connect the MX 3500 main unit to the mains power supply.
5. Set the main board dip-switch no. 6 (SWITCH ON/OFF) 17 to ON.

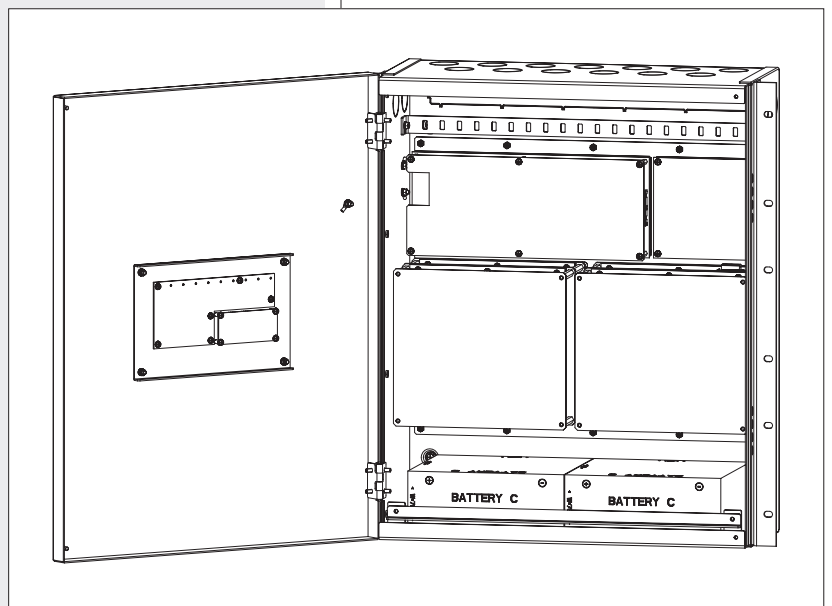
To turn the system off, follow these steps in reverse order.

OPENING THE MAIN UNIT AND ARRANGEMENT OF THE INTERNAL BOARDS



IMPORTANT NOTES

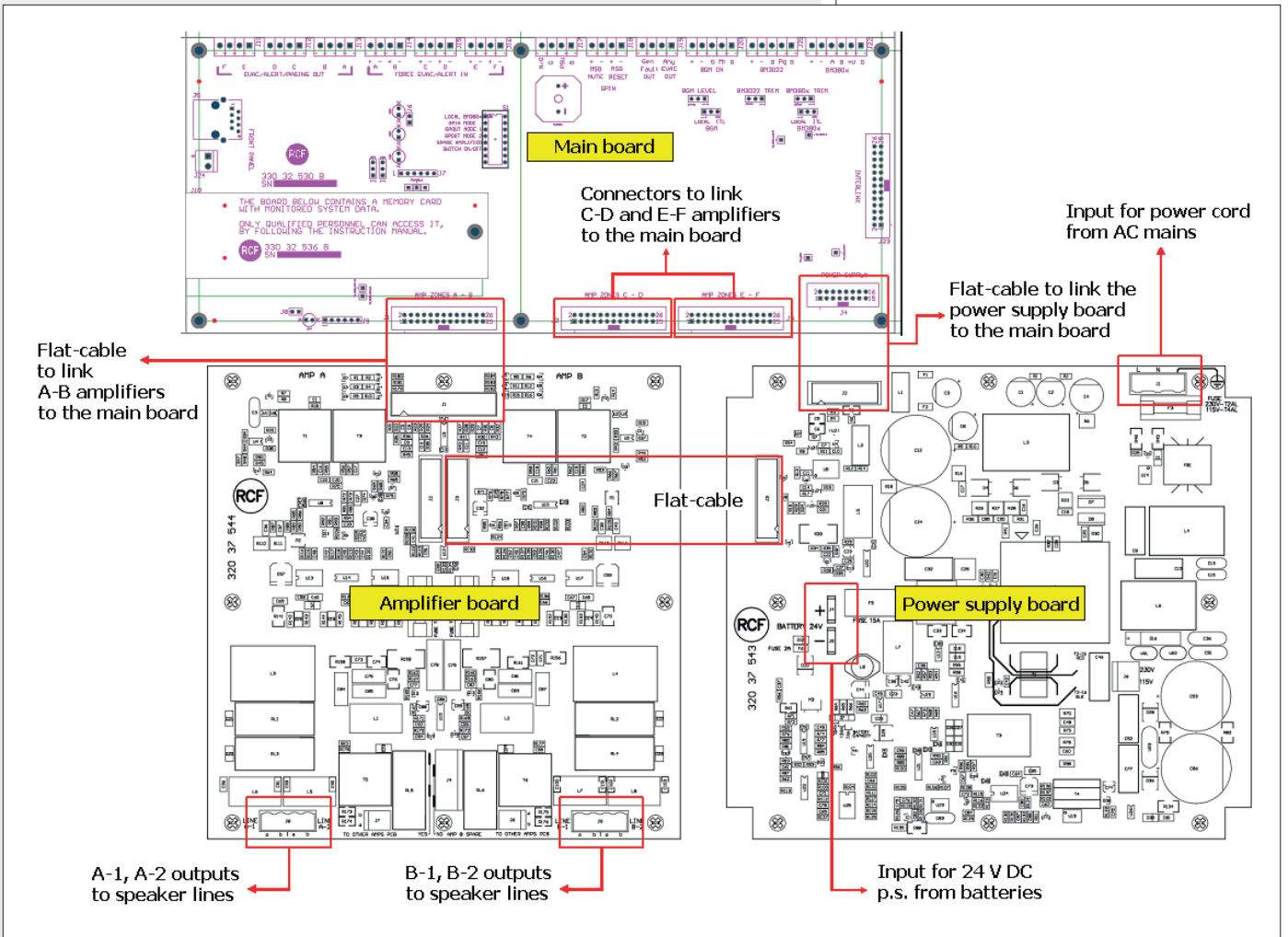
- **IF THE MAIN UNIT IS CONNECTED TO THE MAINS, THERE IS A DANGEROUS VOLTAGE ON THE POWER SUPPLY BOARD: BE CAREFUL!**
- **BEFORE TOUCHING ANY INTERNAL COMPONENT, GET RID OF ANY STATIC ELECTRICITY BY TOUCHING AN EARTHED METAL PART (FOR A SECOND).**



Unscrew the two screws at the corners on the right side of the front panel to open the main unit and access its electronic boards.

The two batteries shall be fitted on the enclosure bottom and fixed with the included accessory.

Always dispose exhausted batteries according to local regulations.



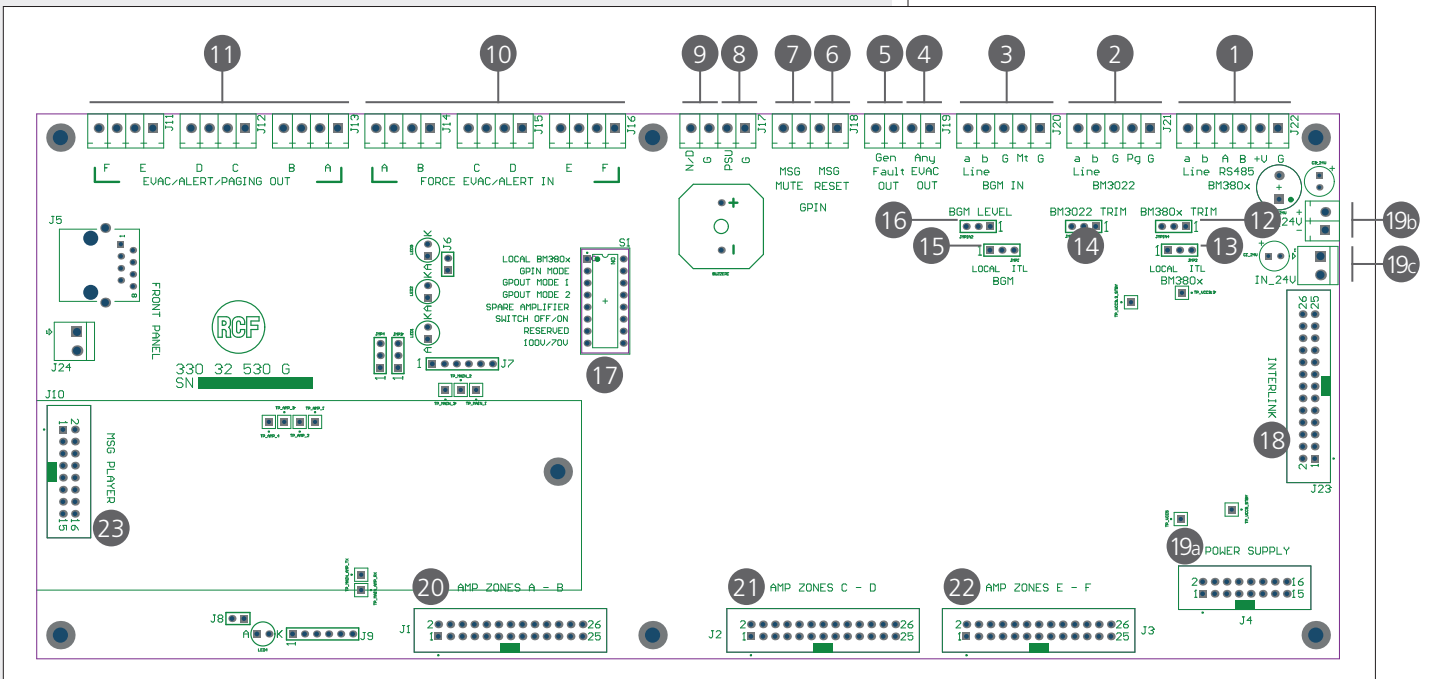
NOTES

- AMPLIFIER BOARDS AND THE POWER SUPPLY BOARD HAVE METAL SCREENS.
- THE FIRST ADDITIONAL AMPLIFIER BOARD (C-D) CAN BE MOUNTED ON THE PREVIOUS ONE (A-B).
- THE SECOND ADDITIONAL AMPLIFIER BOARD (E-F) CAN BE MOUNTED ON THE POWER SUPPLY BOARD.



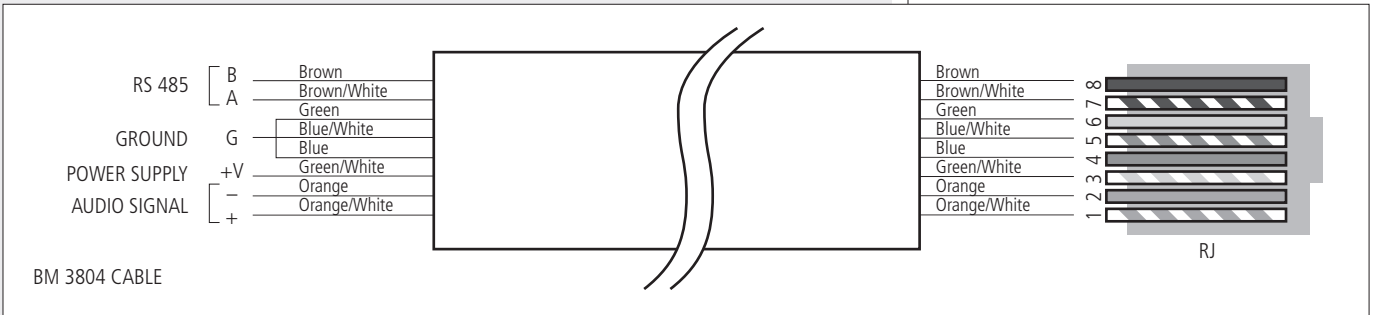
MAIN BOARD

The main board is the system control unit and linked to all the other boards.

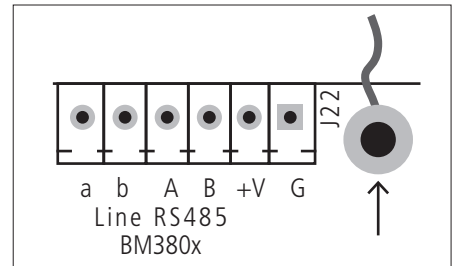


1 Input for monitored paging microphones with emergency purposes (i.e. **BM 3804**).

PIN	DESCRIPTION	BM 3804 CABLE – WIRE COLOUR
+	Audio signal (+, hot)	Orange/White (RJ pin 1)
–	Audio signal (–, cold)	Orange (RJ pin 2)
A	Serial port RS 485 A (+)	Brown/White (RJ pin 7)
B	Serial port RS 485 B (–)	Brown (RJ pin 8)
+V	+ 24 V dc power supply	Green/White (RJ pin 3)
G	Ground	Blue, White/Blue, Green (RJ pins 4-5-6)

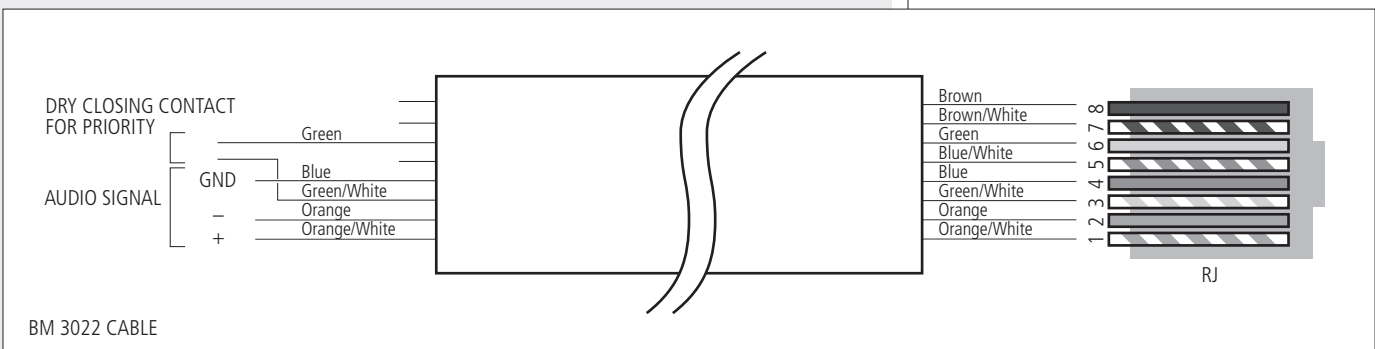


NOTE: IN CASE OF EXCESSIVE BACKGROUND NOISE (ON BM 3804 AUDIO SIGNAL), LINK THE CABLE SHIELD TO THE EARTH BY FIXING IT TO THE HOLE ON THE MOTHERBOARD NEXT TO THE BM 3804 INPUT, BETWEEN TWO WASHERS (A FLAT AND A GROWER).



2 AUX input, mainly for **BM 3022** paging microphones (not monitored).

PIN	DESCRIPTION	BM 3022 CABLE – WIRE COLOUR
+	Audio signal (+, hot)	Orange/White (RJ pin 1)
–	Audio signal (–, cold)	Orange (RJ pin 2)
G	Ground (audio)	Blue (RJ pin 4)
Pg	Priority and activation command	Green (RJ pin 6)
G	Priority and activation command ground	Green/White (RJ pin 3)



③ **BGM IN** balanced audio input normally linked to the internal MP3 player, but also assignable to an external background music source (e.g. CD / MP3 player, tuner, etc.).

PIN	DESCRIPTION
+	Audio signal (+, hot)
–	Audio signal (–, cold)
G	Ground (audio)
Mt	MUTE command
G	MUTE command ground

④ **ANY EVAC OUT** logic output (relay normally open dry contact), activated (relay contact shorted) when evacuation is in progress.*

⑤ **GENERAL FAULT** logic output: relay normally closed dry contact (when MX 3250 is turned on) that opens when either a fault is detected or MX 3250 is off.

⑥ **GPIN MSG RESET** Opto-isolated logic input (enabled when 5 ÷ 48 V dc voltage is applied to its two contacts): when activated, it stops the evacuation / alert message playback.

⑦ **GPIN MSG MUTE** Opto-isolated logic input (enabled when 5 ÷ 48 V dc voltage is applied to its two contacts): when activated, it mutes the audio signal of the evacuation / alert message in progress, but its playback is not stopped.

⑧ Logic input for the external power supply fault.
The two contacts (**PSU** and **G**) need to be kept open when the external power supply is normal.
Shorting the two contacts entails the fault indication.

⑨ Logic input to toggle the 'day / night' operating mode:
'DAY', the two contacts (**N/D** and **G**) are open
'NIGHT', the two contacts (**N/D** and **G**) are shorted.
The 'NIGHT' mode attenuates the background music volume (**BGM IN** ③ level).

⑩ **FORCE EVAC/ALERT IN** Six opto-isolated logic inputs (one for each of the six possible zones) to force the evacuation / alert message playback with the mode defined by setting the GPIN MODE dip-switch ⑰. The activation of the message playback in one or more zones is carried out by applying 5 ÷ 48 V dc voltage to their respective + and – contacts.
See page 58 'Fire Alarm System Monitoring'.

ALL OPTO-ISOLATED LOGIC INPUTS ALLOW THE LINE MONITORING (BY THE LINKED DEVICE) THROUGH TWO INTERNAL RESISTORS: 1 kΩ IN SERIES AND 6.8 kΩ IN PARALLEL.

⑪ **EVAC/ALERT/PAGING OUT** Six logic outputs (one for each of the six possible zones). Each is activated (the two contacts are shorted) during an announcement from a paging console or the playback of the evacuation / alert message, with the mode defined by setting the GPO MODE dip-switches ⑰.*

* All logic output relays have the followings specs.:

- Max. current: 2 A
- Max. switching voltage: 100 V
- Max. switching power: 30 W



12 BM 3804 TRIM jumper: BM 3804 ① audio input gain setting, useful to compensate for possible signal attenuation along the line.

JUMPER SETTING	INPUT GAIN
not inserted	no gain
pins 1 – 2	+ 3 dB
pins 2 – 3	+ 6 dB

13 BM 3804 jumper to select the BM 3804 paging microphone input between the two options, either LOCAL (default setting) or INTERLINK (only when the optional INTERLINK board is present).

JUMPER SETTING	FUNCTION
LOCAL	(default setting): the BM 3804 ① input is used for the connection of the BM 3804 paging microphone line.
ITL	INTERLINK (only with the optional INTERLINK board): the BM 3804 paging microphone line is connected to the INTERLINK board and the direct BM3804 ① input is disabled.

14 BM 3022 TRIM jumper: BM 3022 ② audio input gain setting, useful to compensate for possible signal attenuation along the line.

JUMPER SETTING	INPUT GAIN
not inserted	no gain
pins 1 – 2	+ 3 dB
pins 2 – 3	+ 6 dB

15 BGM jumper to define the use of the local background music source (connected to the BGM IN ③ input) that can be set to either LOCAL or INTERLINK (only when the optional INTERLINK board is present).

JUMPER SETTING	FUNCTION
LOCAL	(default setting): the audio signal of the music source linked to the BGM IN ③ input is only available for the MX 3250 main unit to which it is connected.
ITL	INTERLINK (only with the optional INTERLINK board): the audio signal of the music source linked to the BGM IN ③ input is shared by all devices connected through the INTERLINK board.

16 BGM LEVEL jumper: BGM IN 3 audio input gain setting.

JUMPER SETTING	INPUT GAIN
not inserted	no gain
pins 1 – 2	+ 6 dB
pins 2 – 3	+ 12 dB

17 DIP-SWITCHES

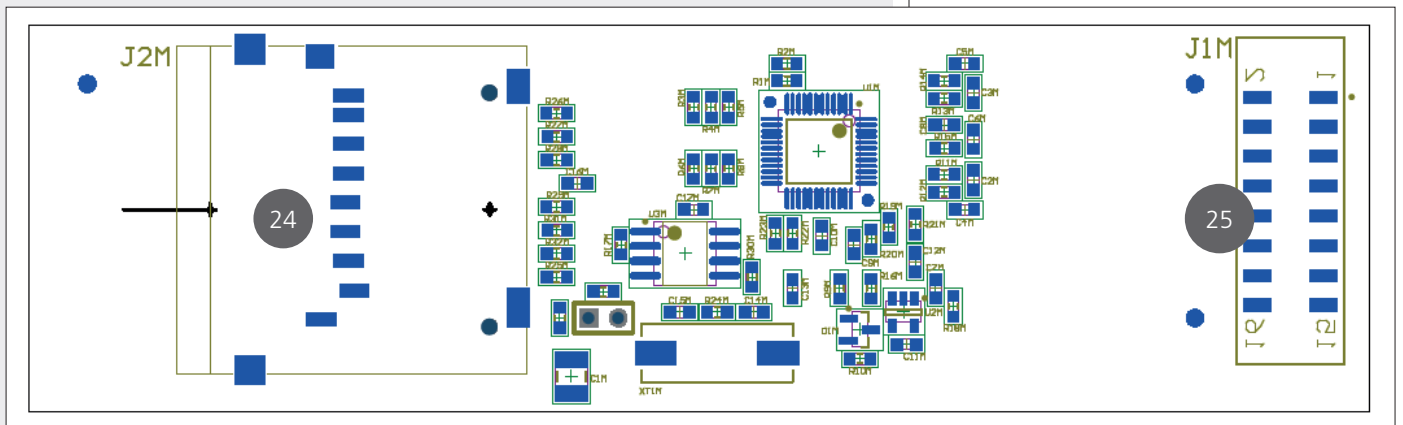
DIP-SWITCH	SETTING	FUNCTION
LOCAL BM 3804	OFF	BM 3804 paging microphones linked to the INTERLINK board (when available).
	ON	BM 3804 paging microphones are connected to the BM 3804 1 input and directly control the zone selection.
GPIN MODE	OFF	SINGLE – EVACUATION mode: the activation of each logic input 10 entails the playback of the evacuation message in its zone (A = zone 1, B = zone 2, C = zone 3, D = zone 4, E = zone 5, F = zone 6).
	ON	DUAL – EVACUATION / ALERT mode: the activation of the first three logic inputs A, B, C 10 entails the playback of the evacuation message in zone pairs (A = zones 1-2, B = zones 3-4, C = zones 5-6); the activation of the second three logic inputs D, E, F 10 entails the playback of the alert message in zone pairs (D = zones 1-2, E = zones 3-4, F = zones 5-6). Note: the evacuation message has the priority.
GPOUT MODE (two dip-switches)	1: OFF, 2: OFF	SINGLE – EVACUATION / ALERT mode: each logic output 11 (when activated) indicates the playback of the evacuation / alert message in its zone (A = zone 1, B = zone 2, C = zone 3, D = zone 4, E = zone 5, F = zone 6).
	1: ON , 2: OFF	SINGLE – EVACUATION / PAGING mode: each logic output 11 (when activated) indicates the playback of the evacuation message or paging in its zone (A = zone 1, B = zone 2, C = zone 3, D = zone 4, E = zone 5, F = zone 6).
	1: OFF, 2: ON	DUAL – EVACUATION / ALERT / PAGING mode: the first three logic outputs A, B, C 11 (when activated) indicate the playback of the evacuation / alert message in zone pairs (A = zone 1-2, B = zone 3-4, C = zone 5-6); the second three logic outputs D, E, F 11 (when activated) indicate paging in zone pairs (D = zone 1-2, E = zone 3-4, F = zone 5-6).
	1: ON , 2: ON	Not used.
SPARE AMPLIFIER	OFF	No spare amplifier.
	ON	The last available amplifier is assigned as spare. NOTE: to activate the spare amplifier, it is necessary to set the jumper 35 to YES on the last amplifier board.
SWITCH OFF/ON	OFF	Since the system is designed to be left switched on, this setting forces its shutdown to allow the connection of batteries (in order to avoid possible sparks).
	ON	The system is turned on and operating (default setting).
DIP-SWITCH nr.7	Not used.	
DIP-SWITCH nr.8	OFF	Speaker line voltage: 100 V.
	ON	Speaker line voltage: 70 V.

- 18 INTERLINK connector for per future INTERLINK option board (not available yet).
- 19_a POWER SUPPLY connector for the internal power supply board.
- 19_b OUT_24V: 24 V dc output.
- 19_c IN_24V: 24 V dc input.
- 20 AMP ZONE A – B connector for the first amplifier board (zones 1 and 2).
- 21 AMP ZONE C – D connector for the second amplifier board (zones 3 and 4).
- 22 AMP ZONE E – F connector for the third amplifier board (zones 5 and 6).
- 23 MSG PLAYER connector for the message player board.

MESSAGE PLAYER BOARD

The message player board is directly fitted to the main board.
 Messages are stored to an SD CARD, which can also be used to update the firmware.


















The SD CARD is blocked from the spacer for the mounting to the main board, so that its removal is not possible, except by authorized personnel to access and maintain the system.



- 24 SD CARD slot
- 25 Connector for the link to the main board (MSG PLAYER 23).

Audio format: **Ogg Vorbis, min. bitrate: 64 kbit/s.**
 Max. message number: 16, plus the chime.
 Sampling frequency: 16 kHz or higher (suggested 44.1 kHz), mono.
 Resolution: 16-bit.
 The max. message time is only limited by the SD CARD free memory.
 Messages shall be converted before being stored to the SD CARD, by using a (free) software as, for instance, <http://www.ogg-converter.com> .

Messages shall be named as follows:

Nome	Dimensione	Tipo
File OGG		
 a0.ogg	59 KB	File OGG
 a1.ogg	70 KB	File OGG
 a2.ogg	120 KB	File OGG
 c0.ogg	59 KB	File OGG
 c1.ogg	59 KB	File OGG
 c2.ogg	171 KB	File OGG
 e0.ogg	89 KB	File OGG
 h0.ogg	10 KB	File OGG
 e1.ogg	100 KB	File OGG
 e2.ogg	189 KB	File OGG
 e3.ogg	89 KB	File OGG
 t0.ogg	74 KB	File OGG
 t1.ogg	89 KB	File OGG
 t2.ogg	58 KB	File OGG
 t3.ogg	74 KB	File OGG
 t4.ogg	100 KB	File OGG
 t5.ogg	62 KB	File OGG

EMERGENCY MESSAGES

a0, a1, a2:

'Alert' messages (max. 3)

c0, c1, c2:

'All clear' messages (max. 3)

e0, e1, e2, e3:

'Evacuation' messages (max. 4)

h0, h1, h2:

chime sent before an announcement

SYSTEM TEST

t0: pre-test (main menu)

t1: test (main menu)

t2: end-test (main menu)

t3: pre-test (service menu)

t4: test (service menu)

t5: end-test (service menu)

POWER SUPPLY BOARD

26 Input for the power cord from mains (230 / 115 V ac, 50-60 Hz) with fuse:

T2AL 230 V [230 V]

T4AL 230 V [115 V]

L: live

N: neutral

⊕: earth

27

24 V dc input for batteries.

+ : positive

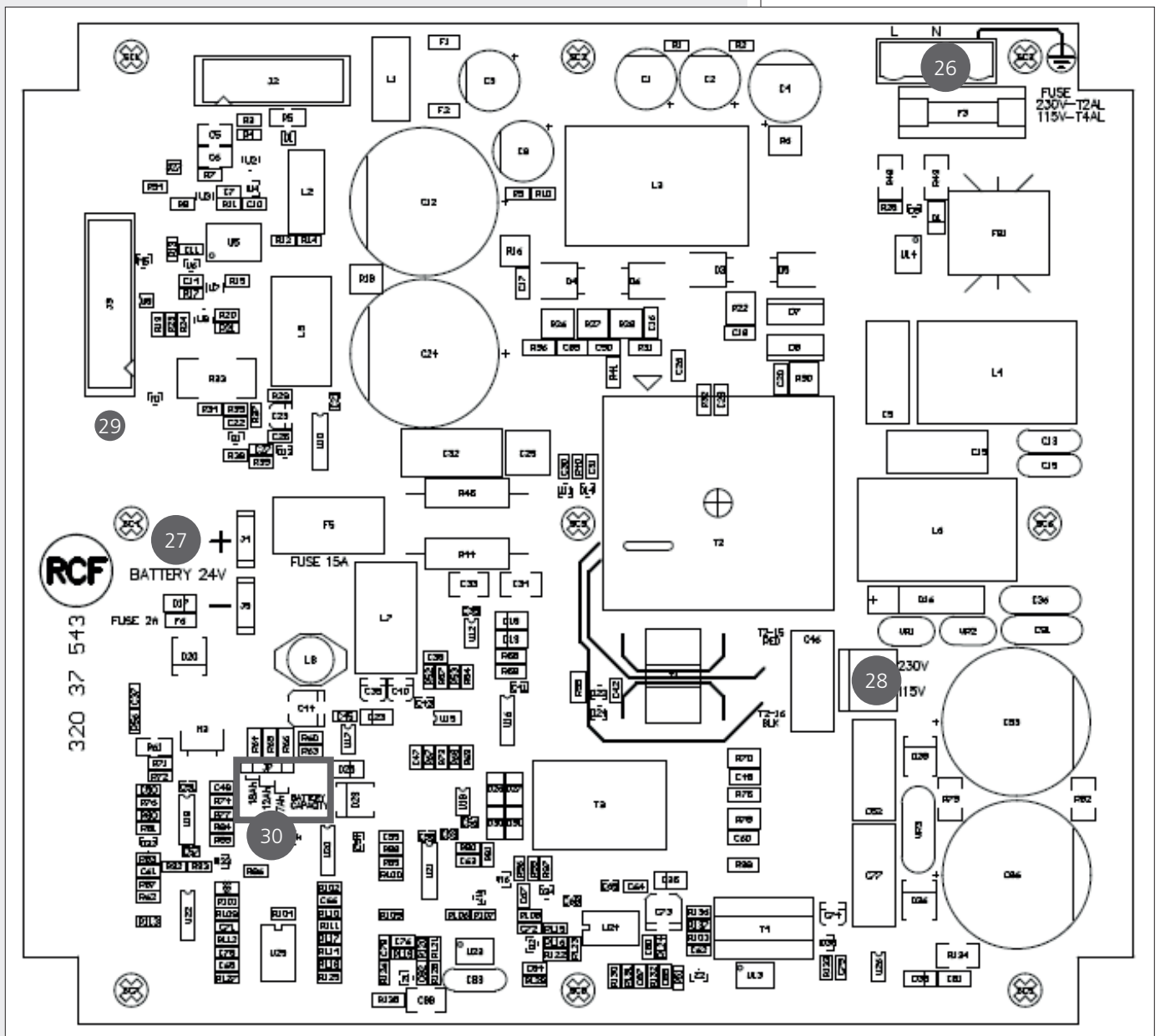
- : negative

28 Jumper to select the mains voltage:

230 V or 115 V.

29 Connector for the flat-cable to the first amplifier board.

30 Jumper to select the battery capacity: 7 – 12 – 18 Ah.



AMPLIFIER BOARD

- 31 Connector for the flat-cable to the main board.
- 32 Connectors for the flat-cables from the power supply board and to the next amplifier board (if present).
- 33 Speaker outputs A-1 and A-2 (constant voltage).
- 34 Speaker outputs B-1 and B-2 (constant voltage).

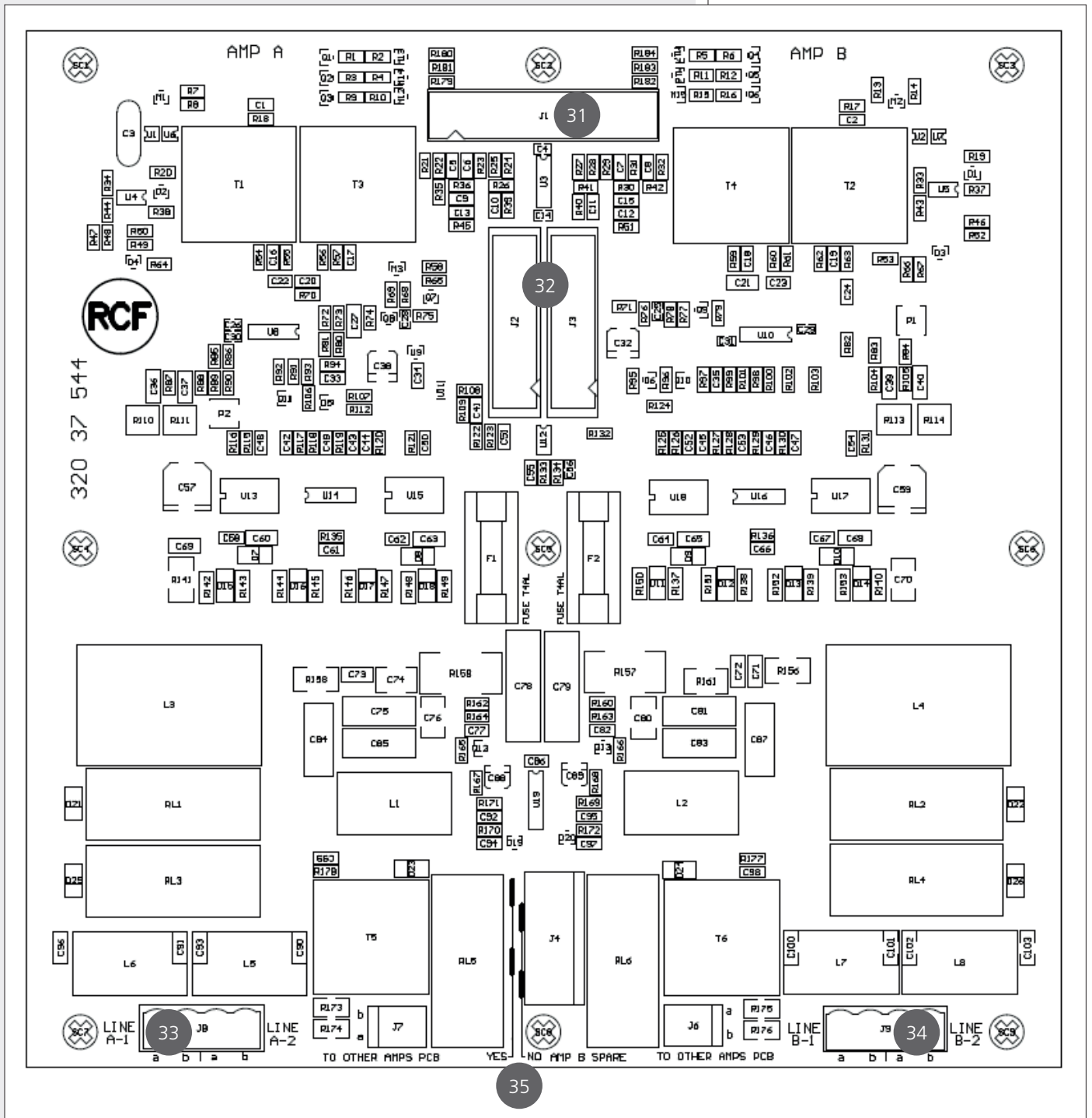
NOTE:

USE THE EIGHTH DIP-SWITCH 17 ON THE MAIN BOARD TO SELECT THE SPEAKER LINE VOLTAGE: 100 V OR 70 V.



35 AMP B SPARE JUMPERS

SET BOTH JUMPERS EITHER TO NO FOR NORMAL USE OR YES IF THE AMP B IS THE SPARE.



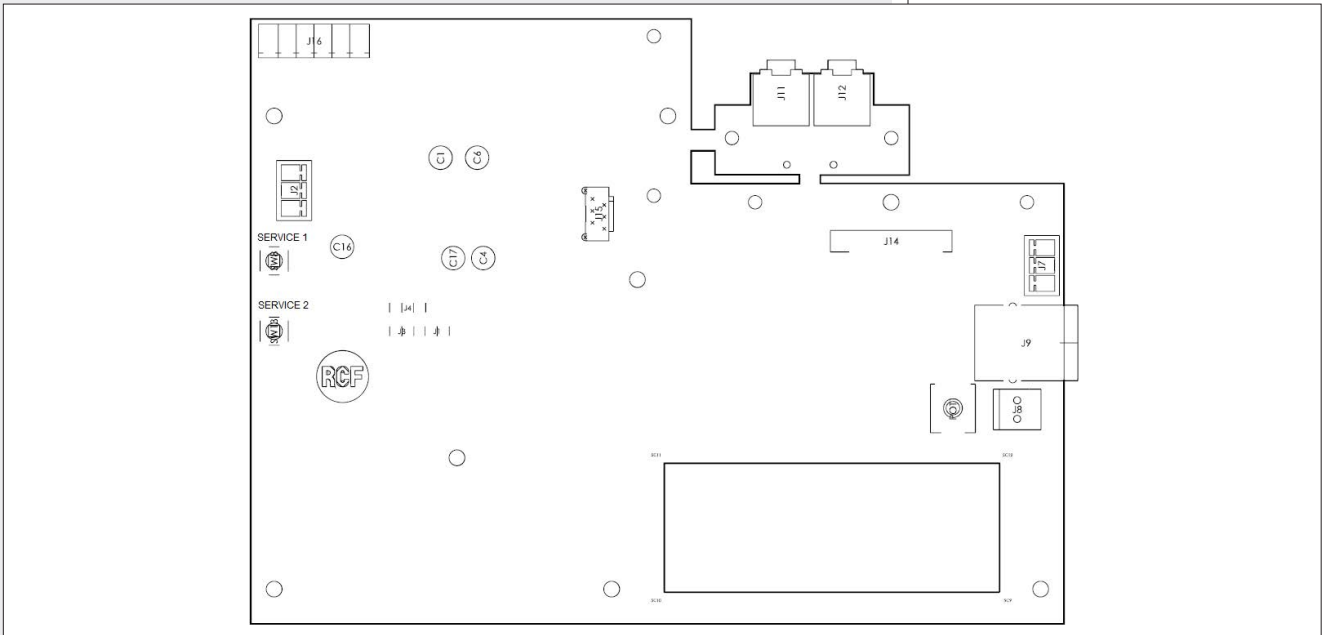
FRONT PANEL BOARD

The front panel board has indicator lights (LEDs) for all signs required and all system commands.

On the back there are two SERVICE buttons (accessible from the inside by authorized personnel and specialized only): **to enter the maintenance mode, press and hold the SERVICE 1 button (only) until the SERVICE MENU is displayed.**

The SERVICE 2 button is not used.

The access to the other menus is regulated by password levels.



PASSWORD CHANGE

MX 3250 has 4 access levels, which correspond to operating rights, as required by EN 54-16:2008.

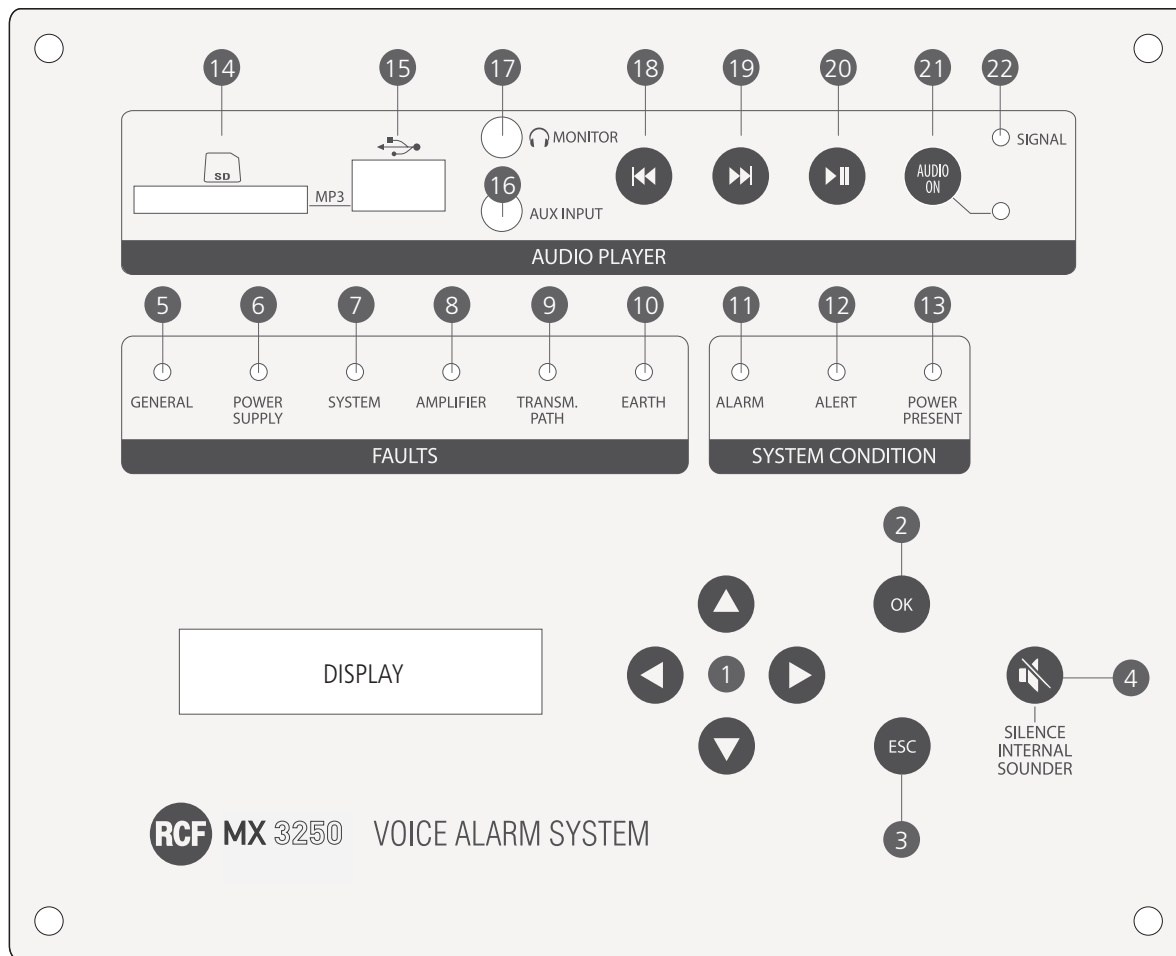
The first level (0) does not require any password.

About the other levels, their initial default passwords are:

- Level 1 111
- Level 2 222
- Level 3 333

To change a password, it is necessary to proceed as follows:

1. Turn the system off.
2. Remove the SD CARD (with prerecorded messages).
3. Add the file 'PASS.TXT' onto the SD card, file previously edited by a PC (Windows o.s.) with the following lines:
 - XXX Level 1 new password with 3 digits (0 – 9).
 - YYY Level 2 new password with 3 digits (0 – 9).
 - ZZZ Level 3 new password with 3 digits (0 – 9).
4. Insert the SD card into the message player board.
5. Turn the system on and await the password updating.
6. Turn the system off again.
7. Remove the SD CARD (with prerecorded messages).
8. Delete the file 'PASS.TXT' on the SD CARD.
9. Insert the SD card into the message player board.
10. Turn the system on.



- 1 Four key-cursor (▲: up, ▼: down, ◀: left, ▶: right)
- 2 **OK** button: press to select.
- 3 **ESC** button: press to quit the displayed menu.
- 4 **SILENCE INTERNAL SOUNDER** button: press to mute the internal sounder (fault acknowledge).
- 5 – 10 **FAULT LEDs:**

Nr.	COLOUR	INDICATION (WHEN LIT)
5	Yellow	One or more faults have been detected.
6	Yellow	Power supply fault.
7	Yellow	Internal microprocessor reset.
8	Yellow	One or more amplifiers are faulty (see the display).
9	Yellow	Faults are detected in the signal path, e.g. in paging microphones and/or speaker lines and/or the INTERLINK board.
10	Yellow	Speaker line earth leakage.

11 – 13 SYSTEM CONDITION LEDs:

Nr.		COLOUR	INDICATION (WHEN LIT)
11	ALARM	Red	The evacuation message is currently played.
12	ALERT	Yellow	The alert message is currently played.
13	POWER PRESENT	Green	Either the mains (230 – 115 V ac) or the 24 V dc power supply is present.

MP3 AUDIO PLAYER

14 SD card port ("Secure Digital", max. 16 GB).

Do NOT use it if a USB flash drive is inserted into its respective port 15.

15 USB flash drive port (max. 16 GB).

Do NOT use it if a SD card is inserted into its respective port 14.

THE FILE EXTENSION MUST BE .MP3 (MPEG AUDIO LAYER 3: REFERS TO A COMPRESSED AUDIO CODING FORMAT).

ALL FOLDERS OF THE SD CARD / USB DRIVE ARE AUTOMATICALLY SCANNED.

MP3 FILE PLAYBACK IS IN ALPHABETICAL ORDER.

16 AUX INPUT

Auxiliary unbalanced audio input (for 1/8" stereo / TRS jack) to connect an external audio source. This input is stereo, but its signal is internally summed to mono and sent to the system only when:

- The front panel MP3 player is paused.
- The **AUDIO ON** 21 button has been pressed and its LED is lit (audio enabled).

17 MONITOR

Audio output (for 1/8" stereo / TRS jack) mainly for headphones, but it can also be used as LINE OUT. This audio output is always open (even if the AUDIO ON button is off), then allows pre-listening music (before sending it to the system).

18 Press this button to select the previous MP3 file.

19 Press this button to select the next MP3 file.

20 Press this button to toggle PLAY / PAUSE (MP3 player playback).

Volume levels can be adjusted in the system settings.

21 **AUDIO ON** button with blue LED

When pressed, it toggles on (LED lit) / off the sending of the internal MP3 audio player signal (and also AUX IN 16) to the system.

22 SIGNAL LED

Blue LED indicating the audio signal presence, with light intensity variation as a function of the signal level.



PARAMETER LIST



LEVEL 1	LEVEL 2	LEVEL 3	DESCRIPTION
INFO			
	FIRMWARE VER		Microprocessor current firmware release.
	AMP VER		Current firmware release of the microprocessor for line monitoring.
	DSP VER		DSP current firmware release.
	ZONES NUMBER		System zone number.
		ACTIVE EVC/ALRT	Zones with evacuation or alert in progress.
		GPI MASK	[DEBUG] Logic input (GPI) bit mask (from the amplifier board).
		RELAYS MASK	[DEBUG] Relay bit mask (from the amplifier board).
		FAULT MASK	[DEBUG] Fault bit mask (from the amplifier board).
		ACK MASK	[DEBUG] Fault acknowledge bit mask.
		CONSOLES NUM	Number of paging microphones connected to the system.
		CONSOLES MASK	[DEBUG] Connected paging microphone bit mask.
AUDIO SET			
BGM			
			BGM IN ③ (music) audio settings.
└	INPUT LEVEL		Input level (- 40 ÷ + 6 dBu).
└	EQUALIZER		2-band equalizer (HI/LO) (-10 ÷ + 12 dB).
└	ASSIGN (for each zone)		It assigns the BGM IN to the selected zones.
└	EVENT LEVEL (for each zone)		Zone output level (- 40 ÷ + 6 dBu).
MESSAGES			
			Audio setting of pre-recorded messages.
		└ INPUT LEVEL	Input level (- 40 ÷ + 6 dBu).
		└ EQUALIZER	2-band equalizer (HI/LO) (-10 ÷ + 12 dB).
		└ ASSIGN (for each zone)	It assigns the message playback to the selected zones.
		└ EVENT LEVEL (for each zone)	Zone output level (- 40 ÷ + 6 dBu).
BM 3804			
			BM 3804 input audio settings.
		└ INPUT LEVEL	Input level (- 40 ÷ + 6 dBu).
		└ EQUALIZER	2-band equalizer (HI/LO) (-10 ÷ + 12 dB).
		└ ASSIGN (for each zone)	It enables BM 3804 paging microphones in the selected zones.
		└ EVENT LEVEL (for each zone)	Zone output level (- 40 ÷ + 6 dBu).

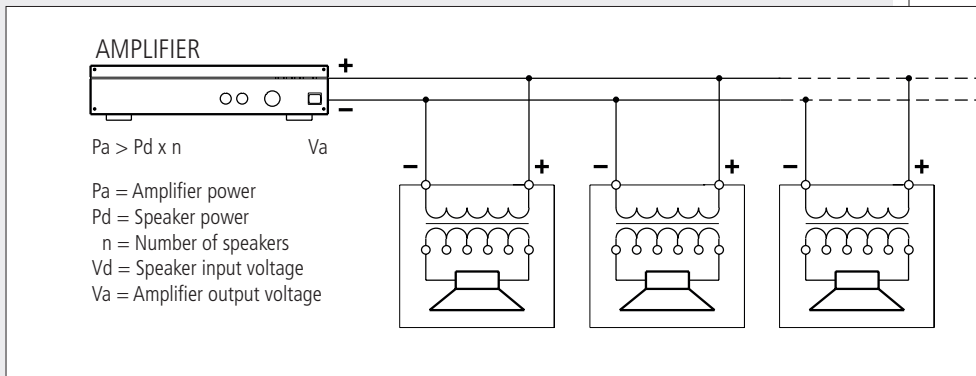
LEVEL 1		LEVEL 2		LEVEL 3		DESCRIPTION	
AUX INPUT						BM 3022 input audio settings.	
└	INPUT LEVEL					Input level (- 40 ÷ + 6 dBu).	
└	EQUALIZER					2-band equalizer (HI/LO) (-10 ÷ + 12 dB).	
└	ASSIGN (for each zone)					It enables BM 3022 paging microphones in the selected zones.	
└	EVENT LEVEL (for each zone)					Zone output level (- 40 ÷ + 6 dBu).	
└	VOX ENABLE					Set to ON to enable the VOX automatic priority when a signal is detected at the AUX INPUT (OFF: disabled).	
└	VOX LEVEL					VOX function level setting from 0 (highest sensitivity) to 15 (lower sensitivity), default value: 8.	
				ZONE n (for each zone; n: selected zone)		Selected zone audio settings.	
				└	LEVEL	Output level (NOTE: to be used only for temporary changes, as it is overwritten by the parameter EVENT LEVEL).	
				└	EQUALIZER	2-band equalizer (HI/LO) (-10 ÷ + 12 dB).	
				└	HI-PASS	Hi-pass filter (20 / 500 Hz).	
FAULTS							
		[EVC/ALRT ZONE LIST]				Evacuation / alert zone list.	
		[FAULT LIST] FAULT_GENERAL FAULT_MAINS FAULT_BATTERY FAULT_AMP FAULT_SDCARD FAULT_VS1000 FAULT_BM380X FAULT_BM3022 FAULT_FP FAULT_DSPA FAULT_DSPB FAULT_FLASH FAULT_EEPROM EXT. FAULT FAULT_LINE1 FAULT_LINE2 FAULT_LINE3 FAULT_LINE4 FAULT_LINE5 FAULT_LINE6 FAULT_AUDIO_PATH FAULT_OVER_POWER FAULT_LINE1_IMP FAULT_LINE2_IMP FAULT_LINE3_IMP FAULT_LINE4_IMP FAULT_LINE5_IMP FAULT_LINE6_IMP FAULT_LINE_EARTHED FAULT_SPARE_ON				- general fault - mains (ac) fault - battery (dc) fault - amplifier board - SD card - message board fault - BM 3804 paging microphone - BM 3022 paging microphone - front panel board fault - DSP A - DSP B - FLASH memory - EEPROM - external fault - line 1 - line 2 - line 3 - line 4 - line 5 - line 6 - monitored audio path - excessive power - line 1 impedance - line 2 impedance - line 3 impedance - line 4 impedance - line 5 impedance - line 6 impedance - line with earth leakage - spare amplifier	
		(dynamic lists)					
UTILITY							
		LEDS BUZZER TEST				LED and buzzer test.	
				ESC TIMEOUT		Automatic quit from menus after a certain time [ON/OFF].	
				LCD BACKLIGHT		Display backlight adjustment.	
				DISCOVERY CONS.		Search for connected paging microphones.	
				LINE TEST		It enables / disables line monitoring [ON/OFF].	

LEVEL 1	LEVEL 2	LEVEL 3	DESCRIPTION
MESSAGES (note: confirmation required)			
	EMERGENCY		
	└	PLAY EVACUATION	It starts the playback of the 'evacuation' message chosen in the SERVICE menu (the 'evacuation' event is in progress).
	└	PLAY ALERT	It starts the playback of the 'alert' message chosen in the SERVICE menu (the 'alert' event is in progress).
	└	PLAY CLEAR	It starts the playback of the 'all clear' message chosen in the SERVICE menu (note: if an emergency event is in progress, RESET is the only way to cancel it and PLAY CLEAR is disabled).
	└	MESSAGE SILENCE	It mutes the message currently played, but it does not cancel the event in progress.
	└	MESSAGE RESET	It stops the message playback and cancels the current event.
	USER MESSAGES		Main menu user messages
	└	PLAY PRE-TEST	It plays the pre-test message.
	└	PLAY TEST	It plays the test message.
	└	PLAY END-TEST	It plays the end-test message.
	└	STOP	It stops the current message.
LOGIN (access to the security levels by entering the 3-digit password)			
LOGOUT (quit and return to the lowest security level '0')			
SERVICE MENU			
		LINE CALIBR.	Calibration of each line.
		IMPEDANCE VALUES	It displays the current impedance value of each line.
		IMP THRESHOLD	Choice of the max. tolerance variation of impedance as fault threshold among 20-30-40-50-60 %.
		DIAGNOSTIC	Internal diagnostic (device communication check) [OK/FAULT].
		BATTERY STATUS	FAULT / GOOD.
		SYSTEM REBOOT	
		CONFIGURATION	
	└	LOAD	It loads a configuration from the FLASH memory.
	└	SAVE	It stores the configuration to the FLASH memory.
		SELECT MSG	Message selection and service test
	└	EVACUATION	Preferred 'evacuation' message selection (chosen among 4).
	└	ALERT	Preferred 'alert' message selection (chosen among 3).
	└	CLEAR	Preferred 'all clear' message selection (chosen among 3).
	└	PRE-TEST	It plays the pre-test message.
	└	TEST	It plays the test message.
	└	END-TEST	It plays the end-test message.
		CHIME MESSAGE	Preferred chime selection among no.1, 2, 3.
		EVAC GPI N. S.	GPI normal status selection: OPEN (default) or CLOSED.
		EVAC GPO N. S.	GPO normal status selection: OPEN (default) or CLOSED.
		RESET GPI N. S.	MSG RESET GPI normal status selection: OPEN (default) or CLOSED.
		SIL. GPI N. S.	MSG MUTE GPI normal status selection: OPEN (default) or CLOSED.
		EXIT	It quits the menu.

NOTES ABOUT CONSTANT VOLTAGE SYSTEMS



- The loudspeaker input voltage (V_d) shall correspond to the amplifier output voltage (V_a).
- The sum of nominal power values ($P_d \times n$) of all loudspeakers connected to the line shall not exceed the amplifier power (P_a).
- Make sure all loudspeakers are connected in phase to ensure a correct sound reproduction.



- Always use cables having wires with an adequate cross-section, considering the cable length and the total loudspeaker power.
- Loudspeaker lines must be kept separated from mains cable, microphone cables or others, in order to avoid inductive phenomena may cause hum or noises.
- Use loudspeaker cables having twisted wires to reduce hum caused by inductive effects due to coupling with electromagnetic fields.

In sound systems for emergency purposes, it is necessary to use fire-resistant cables.

Suitable RCF cables are:

- CV 210 - 2 x 1 mm² (p.n. 143 80 030)
- CV 215 - 2 x 1.5 mm² (p.n. 143 80 031)
- CV 225 - 2 x 2.5 mm² (p.n. 143 80 032).

GUIDANCE ON THE MEASUREMENT OF THE SPEAKER LINE IMPEDANCE



In the DXT 3000 system, monitoring of the integrity of speaker lines is made through impedance measurement at subsonic frequency (20 Hz).

This method was chosen because of its good stability and accuracy of calculated values, which avoids false line fault reports that often occur with impedance measurements faster at ultrasonic frequencies, but more prone to interferences and errors.

To use the DXT 3000 line monitoring properly, so that it fully complies with the European Safety Standard EN 54-16, it is strictly necessary to consider the functional limitations of all devices.

The two main limitations are:

- Measurable impedance range.
- The minimum / maximum tolerance compared to the calibration value of the measurement for the line fault detection.

Let us now analyse in detail these two limitations.

MEASURABLE IMPEDANCE RANGE

The impedance range is calibrated on the max. amplifier output power.

The amplifier board has two outputs (two zones) and the max. overall total power is 250 W that can be freely assigned to both zones. The zone number can be increased to 4 or 6 (by adding one or two amplifier boards), but the max. total output power is always 250 W.

In a 100 V (or 70 V) constant voltage line, the minimum measurable impedance **Zmin** can be estimated (in all the three cases) considering a load having double the maximum output power **Pmax** on a single line (and ignoring the efficiency of speakers and approximating the impedance at 20 Hz with the real one; the phasor impedance at 20 Hz is only 9 degrees out of phase with the real axis).

$$Z_{min_{100V}} = \frac{(100 \text{ V})^2}{2 P_{max}}$$

or

$$Z_{min_{70V}} = \frac{(70.7 \text{ V})^2}{2 P_{max}}$$

The result is:

$$Z_{min} = 20 \Omega \text{ (at 100 V)}, Z_{min} = 10 \Omega \text{ (at 70 V)}$$

The maximum measurable impedance **Zmax** can be estimated considering lines loaded to a quarter of the maximum output power **Pmax**.

$$Z_{max_{100V}} = \frac{(100 \text{ V})^2}{0.25 P_{max}}$$

or

$$Z_{max_{70V}} = \frac{(70.7 \text{ V})^2}{0.25 P_{max}}$$

The result is:

$$Z_{max} = 160 \Omega \text{ (at 100 V)}, Z_{max} = 80 \Omega \text{ (at 70 V)}$$

Amplifiers are protected and designed to operate at their maximum rated power.

The best impedance range (Zmon), in which its measurement is more stable, immune to errors and repeatable, is **from 50% to 100% of the load corresponding to the maximum power** of the channel.

$$\text{With 100 V lines: } 40 \Omega \leq Z_{mon} \leq 80 \Omega$$

$$\text{With 70 V lines: } 20 \Omega \leq Z_{mon} \leq 40 \Omega$$

Note that (depending on tolerances of sensors) measures higher or lower than the indicated limits can be similarly accurate and valid.

These values shall be considered as 'confidence thresholds' of the line control.

In fact, sensors could measure impedances (at 20 Hz) in the 5 ÷ 400 Ω range.

Measuring of impedances out of that range may be prone to errors and interferences.

TOLERANCE COMPARED TO THE CALIBRATION VALUE

The choice of the speaker line impedance tolerance is important in order to avoid these two cases:

- Too low tolerance: every little interference will cause a false line fault.
- Too high tolerance: the system will not report any fault even with a line damage that excludes most speakers.

EN54-16 standard requires the system to indicate speaker line faults (short or open circuits) and not a single speaker fault. Therefore, a single speaker fault is tolerable, but not the loss of a line section.

In a 100 / 70 V line all speakers are linked in parallel, so a short circuit (total impedance tends to zero) leads to the opening of the entire speaker line.

The choice of the tolerance (six options: 20-30-40-50-60 %) is important to get a proper speaker line monitoring.

Consider the following general rule:

“The recommended tolerance value is the highest of the available options, but lower than the weight of the smallest percentage change in impedance, usually due to the disconnection of the speaker having the highest impedance and installed at the end of a line branch.”

An example: a line has a total impedance 80 Ω (**Ztot**) and ends with a 400 Ω-speaker (**Zmaxend**).

In case of **disconnection of the 400 Ω-speaker**, the line total impedance will change from **80 Ω (Ztot)** to **100 Ω (Znoend)**.

The following formula is basically the calculation of the impedances in parallel:

$$Z_{noend} = \frac{Z_{maxend} \times Z_{tot}}{Z_{maxend} - Z_{tot}}$$

NOTE: THE LINE IMPEDANCE HERE IS CONSIDERED AT THE FREQUENCY OF 20 Hz (WHICH IS NOT EQUAL TO THE ONE MEASURED BY AN IMPEDANCE METER AT 1 kHz)!



The percentage difference between the two impedances is **25%**, so it is necessary to set the tolerance to the **20%** option.

However, there are many cases where the weight percentage of the last speaker is less than 20%, often making impossible to detect any damage to the line.

Moreover, there are speakers (e.g. horns) that are virtually open circuits at the frequency of 20 Hz, making it impossible to measure the line impedance.

In these cases, it is strictly necessary to connect (at the end of lines) devices having an impedance (at 20 Hz) that allows the calibration (in the proper range of each channel) and low enough to make it possible to detect the opening of the last line segment.

These devices are just named **‘End Of Line’**, hereafter abbreviated as EOL

EOL ('END OF LINE'): FEATURES AND USE GUIDELINES

EOL are reactive loads having an impedance 200Ω at the resonance frequency (20 Hz). Absorbing reactive power only, EOL can be added to a speaker line without affecting the rated power of its amplifier. However, this is valid if considering the dynamic of the impedance meter, which can properly measure up to a maximum load of twice the rated amplifier power.

To ensure proper line monitoring when the constrain of the last speaker of various line branches (explained in the previous paragraph) is not respected, it will be necessary to add an EOL at the end of each line branch.

The maximum number of EOL that can be added is six.

This is due to problems of dynamics of the impedance measuring circuit and the amplifier (eddy currents need to be considered, as these can overload the amplifier). The EOL will be assigned to the available lines in order to allow impedance measurement.

The total impedance (**Ztot**) resulting from the parallel between the load impedance already present in the line (**Zline**) and EOL (**Zeol** = 200Ω) is easily obtainable by the following formula:

$$\mathbf{Z_{tot}} = \frac{\mathbf{Z_{line}} \times \mathbf{Z_{eol}}}{\mathbf{Z_{line}} - \mathbf{Z_{eol}}}$$

NOTE: THE LINE IMPEDANCE (**ZLINE**) HERE IS CONSIDERED AT THE FREQUENCY OF 20 Hz (WHICH IS NOT EQUAL TO THE ONE MEASURED BY AN IMPEDANCE METER AT 1 kHz)!

In case of a single line having a particularly low impedance load or lines including horn speakers (open circuits at 20 Hz), it will be necessary to add more EOL in parallel.

In case the line is divided into more branches, in each branch the EOL number needs to be the same, in order to guarantee a proper monitoring and respect the following formula:

$$\mathbf{Neol} > \frac{\mathbf{200 \Omega}}{\mathbf{Z_{tot} (21 - Nbranch)}}$$

Neol = EOL number
Ztot = total impedance
Nbranch = line branch number

Within the system operation limits, the result is equal to 1.

Anyway, to know how many EOL are needed in a line, it is necessary to calculate the total impedance (**Ztot**) by applying the following formula (parallel impedances), adjusted with the EOL number (**Neol**):

$$\mathbf{Z_{tot}} = \frac{\mathbf{Z_{line}} \times \frac{\mathbf{200 \Omega}}{\mathbf{Neol}}}{\mathbf{Z_{line}} + \frac{\mathbf{200 \Omega}}{\mathbf{Neol}}}$$

NOTE: THE LINE IMPEDANCE (**ZLINE**) HERE IS CONSIDERED AT THE FREQUENCY OF 20 Hz (WHICH IS NOT EQUAL TO THE ONE MEASURED BY AN IMPEDANCE METER AT 1 kHz)!

The total impedance must respect the constraints about EOL.
Max. EOL number is six.





Max. overall output power:	up to 250 W, freely assignable to the 2, 4 or 6 zones
Frequency response:	80 Hz ÷ 16 kHz (± 1 dB)
Distortion (THD + N):	0.3 typical (1% max., f: 1 kHz)
Output voltage to speaker lines:	100 V / 70 V
Signal / noise ratio:	70 dBA
Operating voltage (mains):	115 / 230 V ac +10/-15% 50/60 Hz, internal setting
Operating voltage (batteries):	24 V dc (2x 12 V), Ri max.= 220 m Ω
Amplifier fuses:	F1 T4AL, F2 T4AL
Power supply fuse:	T2AL (230 V) / T4AL (115 V)
Nominal speaker load (Zmin):	40 Ω (100 V) / 20 Ω (70 V), CI= 5nF
Consumption (ac):	max. 400 W
Battery (dc) current draw:	max. 15.3 A
Battery capacity:	7-12-18 Ah (internal setting)
Ambient operating temperature:	0 ÷ 40 °C (32 ÷ 104 °F)
Input connectors:	removable screw terminals
Max. evacuation zone number:	6 (MX 3250/6)
Max. number of daisy-chained BM 3804 paging microphones:	4
Simultaneous audio channels:	3
Paging microphone cable:	CAT 6 FTP or J-type (RCF)
Dimensions (w, h, d):	430 mm, 530 mm, 180 mm (19" rack – 12 units)
Logic output max. current:	2 A
Logic output max. switching voltage:	100 V
Logic output max. switching power:	30 W
Heat dissipation:	50 W (1/8 max. output power)



Prima di collegare ed utilizzare questo prodotto, leggere attentamente le istruzioni contenute in questo manuale, il quale è da conservare per riferimenti futuri.

Il presente manuale costituisce parte integrante del prodotto e deve accompagnare quest'ultimo anche nei passaggi di proprietà, per permettere al nuovo proprietario di conoscere le modalità d'installazione e d'utilizzo e le avvertenze per la sicurezza.

L'installazione e l'utilizzo errati del prodotto esimono la RCF S.p.A. da ogni responsabilità.

ATTENZIONE: per prevenire i rischi di fiamme o scosse elettriche, non esporre mai questo prodotto alla pioggia o all'umidità; questo apparecchio è progettato per il solo uso all'interno.

AVVERTENZE PER LA SICUREZZA

1. Tutte le avvertenze, in particolare quelle relative alla sicurezza, devono essere lette con particolare attenzione, in quanto contengono informazioni importanti.

2.1 ALIMENTAZIONE PRINCIPALE DA RETE ELETTRICA

- La tensione di alimentazione dell'apparecchio ha un valore sufficientemente alto da costituire un rischio di folgorazione per le persone: non procedere mai all'installazione od alla connessione dell'apparecchio con il cavo dell'alimentazione collegato alla rete elettrica.
- Prima di alimentare questo prodotto, assicurarsi che tutte le connessioni siano corrette e che la tensione della vostra rete di alimentazione corrisponda quella di targa dell'apparecchio, in caso contrario rivolgetevi ad un rivenditore RCF.
- L'apparecchio può essere collegato solo a sistemi di alimentazione di tipo TT o TN.
- Le parti metalliche dell'apparecchio sono collegate a terra tramite il cavo di alimentazione. Un apparecchio avente costruzione di CLASSE I deve essere connesso alla presa di rete con un collegamento alla terra di protezione.
- L'apparecchio deve essere connesso ad un impianto provvisto dispositivo di protezione contro i guasti verso terra, adeguatamente dimensionato per il tipo e la potenza della linea installata (protezione differenziale).
- Accertarsi che il cavo di alimentazione dell'apparecchio non possa essere calpestato o schiacciato da oggetti, al fine di salvaguardarne la perfetta integrità.
- Per evitare il rischio di shock elettrici, non aprire mai l'apparecchio: all'interno non vi sono parti che possono essere utilizzate dall'utente.
- La spina del cavo d'alimentazione è utilizzata come dispositivo di scollegamento e deve rimanere sempre facilmente accessibile.

2.2 ALIMENTAZIONE SECONDARIA D'EMERGENZA TRAMITE BATTERIE

- L'apparecchio funziona con tensione 24 V in corrente continua (pertanto, occorre collegare in serie due batterie aventi ciascuna una tensione nominale di 12 V).
- Utilizzare sempre batterie ricaricabili, opportunamente scelte in funzione del massimo carico possibile.
- Verificare che sia rispettata la polarità delle batterie.
- Non cortocircuitare le batterie (ad esempio collegando i 2 poli opposti con un filo di metallo).
- L'ingresso interno 24 V c.c. serve anche per la disconnessione dell'alimentazione ausiliaria e deve rimanere facilmente accessibile durante e dopo l'installazione.
- L'alimentazione 24 V c.c. non esula dal fatto che internamente all'apparecchio vi siano tensioni pericolose.
- Smaltire le batterie esaurite facendo riferimento alle norme di legge vigenti (nel paese di utilizzo) in materia di ecologia e protezione dell'ambiente.

3. Impedire che oggetti o liquidi entrino all'interno del prodotto, perché potrebbero causare un cortocircuito. L'apparecchio non deve essere esposto a stillicidio o a spruzzi d'acqua; nessun oggetto pieno di liquido (quali vasi) e nessuna sorgente di fiamma nuda (es. candele accese) deve essere posto sull'apparecchio.

4. Non eseguire sul prodotto interventi / modifiche / riparazioni se non quelle espressamente descritte sul manuale d'uso.

Contattare centri di assistenza autorizzati o personale altamente qualificato quando:

- l'apparecchio non funziona (o funziona in modo anomalo);
- il cavo di alimentazione ha subito gravi danni;
- oggetti o liquidi sono entrati nell'apparecchio;
- l'apparecchio ha subito forti urti.

5. Qualora questo prodotto non sia utilizzato per lunghi periodi, scollegare il cavo d'alimentazione dalla rete e le batterie.


IMPORTANTE



ATTENZIONE



6. Nel caso che dal prodotto provengano odori anomali o fumo, spegnerlo immediatamente e scollegare il cavo d'alimentazione e le batterie.

7. I terminali marcati con il simbolo  sono da ritenersi ATTIVI e PERICOLOSI ed il loro collegamento deve essere effettuato da PERSONE ADDESTRATE oppure si devono utilizzare cavi già pronti.

8. Non collegare a questo prodotto altri apparecchi e accessori non previsti.

Quando è prevista l'installazione sospesa, utilizzare solamente gli appositi punti di ancoraggio e non cercare di appendere questo prodotto tramite elementi non idonei o previsti allo scopo.

Verificare inoltre l'idoneità del supporto (parete, soffitto, struttura ecc., al quale è ancorato il prodotto) e dei componenti utilizzati per il fissaggio (tasselli, viti, staffe non fornite da RCF ecc.) che devono garantire la sicurezza dell'impianto / installazione nel tempo, anche considerando, ad esempio, vibrazioni meccaniche normalmente generate da un trasduttore.

Per evitare il pericolo di cadute, non sovrapporre fra loro più unità di questo prodotto, quando questa possibilità non è espressamente contemplata dal manuale d'uso.

9. La RCF S.p.A. raccomanda vivamente che l'installazione di questo prodotto sia eseguita solamente da installatori professionali qualificati (oppure da ditte specializzate) in grado di farla correttamente e certificarla in accordo con le normative vigenti. Tutto il sistema audio dovrà essere in conformità con le norme e le leggi vigenti in materia di impianti elettrici.

10. SOSTEGNI E CARRELLI

Se previsto, il prodotto va utilizzato solo su carrelli o sostegni consigliati dal produttore. L'insieme apparecchio-sostegno / carrello va mosso con estrema cura. Arresti improvvisi, spinte eccessive e superfici irregolari o inclinate possono provocare il ribaltamento dell'insieme.

11. Si devono considerare anche i fattori meccanici ed elettrici quando si installa un sistema audio professionale (oltre a quelli prettamente acustici, come la pressione sonora, gli angoli di copertura, la risposta in frequenza, ecc.).

12. PERDITA DELL'UDITO

L'esposizione ad elevati livelli sonori può provocare la perdita permanente dell'udito. Il livello di pressione acustica pericolosa per l'udito varia sensibilmente da persona a persona e dipende dalla durata dell'esposizione. Per evitare un'esposizione potenzialmente pericolosa ad elevati livelli di pressione acustica, è necessario che chiunque sia sottoposto a tali livelli utilizzi delle adeguate protezioni; quando si fa funzionare un trasduttore in grado di produrre elevati livelli sonori, è necessario indossare dei tappi per orecchie o delle cuffie protettive.

Consultare i dati tecnici contenuti nei manuali d'uso per conoscere le massime pressioni sonore che i diffusori acustici sono in grado di produrre.

13. Non ostruire le griglie di ventilazione dell'unità. Collocare il prodotto lontano da fonti di calore e garantire la circolazione dell'aria in corrispondenza delle griglie di aerazione.

14. Non sovraccaricare questo prodotto; verificare che non vi sia un cortocircuito in una più uscite amplificate.

15. Non forzare mai gli organi di comando (tasti, manopole, ecc.).

16. Non usare solventi, alcool, benzina o altre sostanze volatili per la pulizia delle parti esterne dell'unità; usare un panno asciutto.

ATTENZIONE: ogni modifica eseguita da personale non autorizzato al prodotto e/o al sistema (in cui è installato e configurato, armadio rack e cablaggi inclusi) può far decadere la marcatura CE (certificazione EN 54-16:2008 ed EN 54-4:2007) e la garanzia del prodotto medesimo.



NOTE SUI CAVI PER SEGNALI AUDIO



Per evitare fenomeni di rumorosità indotta sui cavi che trasportano segnali dai microfoni o di linea (per esempio 0dB), usare solo cavi schermati ed evitare di posarli nelle vicinanze di:

- apparecchiature che producono campi elettromagnetici di forte intensità;
- cavi di rete;
- linee che alimentano altoparlanti.

RCF S.p.A. Vi ringrazia per l'acquisto di questo prodotto, realizzato in modo da garantirne l'affidabilità e prestazioni elevate.

DESCRIZIONE DEL SISTEMA DXT 3000



DXT 3000 è un sistema di allarme vocale conforme alle norme EN 54-16 ("Sistemi di rivelazione e di segnalazione d'incendio; Parte 16: Apparecchiatura di controllo e segnalazione per i sistemi di allarme vocale") ed EN 54-4 ("Sistemi di rivelazione e di segnalazione d'incendio; Parte 4: Apparecchiatura di alimentazione").

Assolve alle funzioni di annunci di emergenza, annunci microfoniche e diffusione musica di sottofondo ed è indicato per applicazioni di piccole e medie dimensioni, con collegamenti semplici ed un uso facile ed immediato.

Le sue impostazioni sono definibili dall'utente, ad eccezione del funzionamento d'emergenza che deve seguire i requisiti delle norme di sistema e d'installazione (UNI ISO 7240-19).

L'unità centrale MX 3250 è costituita da un armadietto metallico installabile a parete (con appositi accessori inclusi può essere alternativamente posta in un armadio rack 19" - 12 unità) che porta al proprio interno tutta la componentistica necessaria al suo funzionamento, batterie incluse.

È dotato di processore audio digitale (DSP) che permette una corretta equalizzazione in funzione dell'ambiente di utilizzo.

Sono presenti:

- un ingresso audio per una linea composta da massimo quattro basi microfoniche monitorate BM 3804 (collegate in cascata, con o senza tastiere aggiuntive BE 3806, a seconda del numero di zone gestite);
- un ingresso audio ausiliario principalmente dedicato ad una linea composta da una o più basi microfoniche BM 3022 (non monitorate e collegate in cascata) per la sola chiamata generale; questo ingresso dispone inoltre della funzione VOX (se abilitata tramite menù), ovvero della priorità automatica quando è rilevato un segnale audio.
- un lettore di file audio MP3 sul pannello frontale, con ingresso audio AUX IN (su jack 3,5 mm) per sorgenti esterne;
- ingressi ed uscite logiche per l'interfacciamento col sistema d'allarme antincendio (od altro);
- un lettore di messaggi preregistrati su memoria SD CARD monitorata;
- possibilità di espansione del sistema tramite la scheda interna opzionale INTERLINK, al fine di connettere più unità centrali tra loro.

L'unità centrale MX 3250 può essere dotata di due, quattro oppure sei amplificatori di potenza RCF in classe D+ (a seconda della configurazione richiesta), in modo da avere due, quattro oppure sei zone disponibili.

Grazie alla matrice digitale interna, ogni amplificatore può indipendentemente diffondere nella rispettiva zona un segnale diverso (tra quelli disponibili, es. annunci microfoniche di routine o d'emergenza, messaggi preregistrati, musica di sottofondo).

L'ultimo amplificatore disponibile può essere alternativamente configurato come riserva che si inserisce automaticamente al posto di uno guasto.

La potenza complessiva massima erogabile (somma di tutte le zone) è 250 W ed è liberamente assegnabile a ciascuna zona.

Le uscite amplificate per i diffusori acustici sono linee a tensione costante 100 V / 70 V; per ogni zona sono disponibili due uscite (per creare linee ridondate).

L'unità centrale MX 3250 è dotata di un alimentatore conforme alla norma EN 54-4 con unità di ricarica e controllo delle batterie, le quali possono essere scelte tra diverse capacità (a seconda della configurazione e delle esigenze di back-up: 7 – 12 – 18 Ah).

Per garantire piena efficienza del sistema si suggerisce di verificare e le batterie ogni due anni e procedere ad alla loro eventuale sostituzione.

Elettronicamente, il sistema è composto da:

- una scheda madre;
- una scheda alimentatore (conforme EN 54-4:2007);
- da 1 a 3 schede amplificatore, ciascuna avente 2 amplificatori (potenza max. totale: 250 W);
- una scheda del pannello frontale, per impostazioni, gestione, manutenzione e controllo;
- un lettore audio di file MP3;
- una scheda messaggi (preregistrati) con SD CARD monitorata.

BASI MICROFONICHE DEL SISTEMA DXT 3000

BM 3804

Base microfonica preamplificata da tavolo, con microfono flessibile ad elettrete e monitorato, per chiamate selettive su diverse zone selezionabili tramite la sua tastiera. Si possono collegare (direttamente all'unità centrale MX 3250) fino a 4 basi microfoniche BM 3804 in cascata nella stessa linea ed interbloccate tra loro; la lunghezza totale del cavo di collegamento (CAT 6 FTP oppure tipo J) non può eccedere 1 km.

BE 3806

Tastiera addizionale per base microfonica BM 3804 con sei tasti aggiuntivi preconfigurati, ciascuno dei quali permette di selezionare una zona.

BM 3022

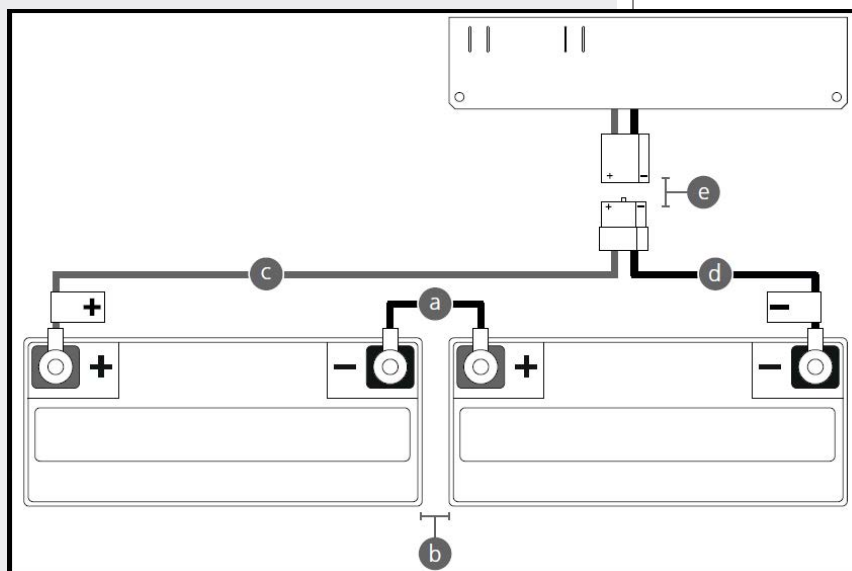
Base microfonica preamplificata da tavolo, con microfono flessibile ad elettrete, per annunci generali. Fino a 30 basi microfoniche BM 3022 possono essere collegate serialmente (in un'unica linea) ed essere utilizzate in miscelazione (più microfoni accesi contemporaneamente) od in interblocco (solo un microfono attivo alla volta).

COLLEGAMENTO DELLE BATTERIE



NOTA: collegare le batterie al sistema prima dell'alimentazione da rete elettrica.

- a) Collegare tra loro i due poli centrali per la messa in serie delle due batterie tramite il cavo corto in dotazione.
- b) Posizionare le due batterie all'interno dell'unità centrale MX 3250, lasciando almeno 2 cm di spazio tra loro.
- c) Collegare il polo positivo (+) della prima batteria al conduttore ROSSO proveniente dalla scheda alimentatore posta dietro lo schermo metallico.
- d) Collegare il polo negativo (-) della seconda batteria al conduttore NERO proveniente dalla scheda alimentatore posta dietro lo schermo metallico.
- e) Al termine, collegare tramite l'apposito connettore i conduttori all'estremità della scheda alimentatore.

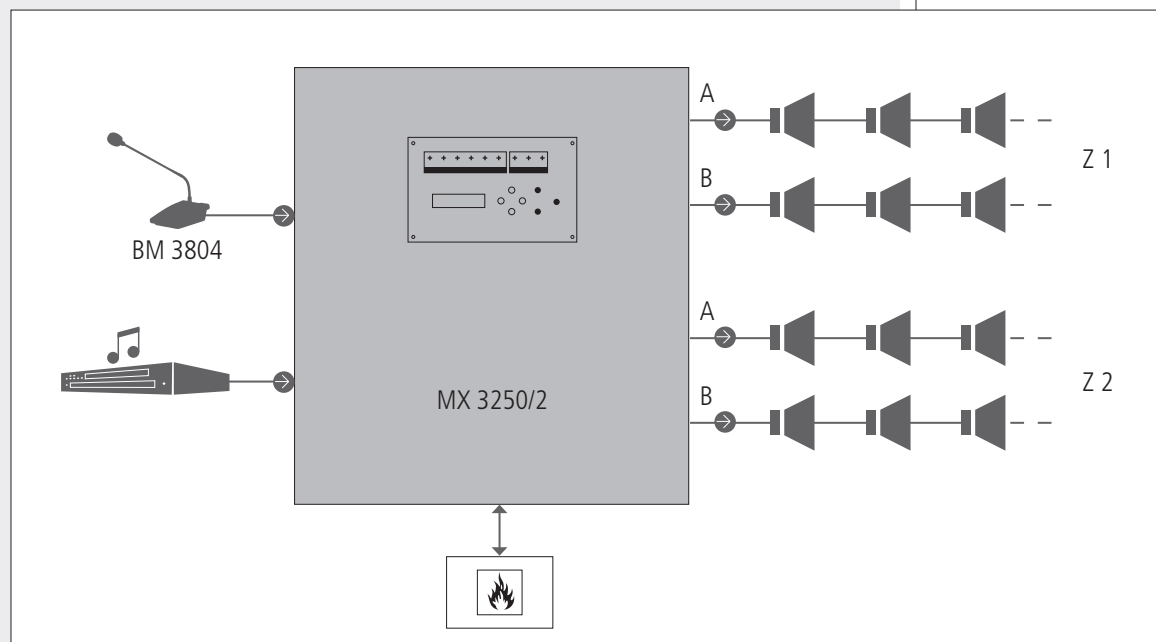




La configurazione base include l'unità centrale MX 3250/2, una base microfonica BM 3804 ed eventualmente un'altra sorgente musicale esterna (opzionale); questa configurazione è adatta per un piccolo sistema avente una singola zona o due, dove la potenza totale dei diffusori acustici non eccede il valore di 250 W (suddivisa in qualsiasi proporzione tra le due linee di ciascuna zona).

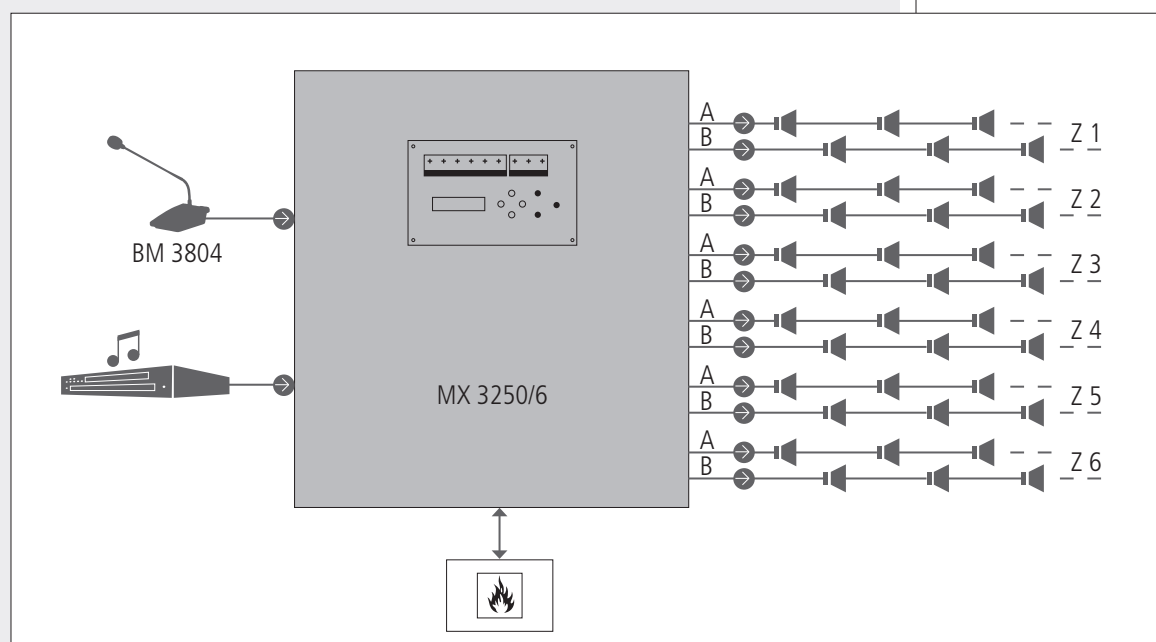
Sono presenti ingressi ed uscite logici per interfacciamento col sistema antincendio (od altri).

Nel caso si utilizzi solo una singola zona, il secondo amplificatore può essere usato come riserva, con inserimento automatico al posto del primo amplificatore in caso di guasto.



Su richiesta, l'unità centrale può essere fornita con quattro (MX 3250/4) oppure sei (MX 3250/6) amplificatori incorporati. La potenza complessiva massima (250 W) può essere liberamente ripartita tra le quattro / sei zone.

L'ultimo amplificatore (il quarto od il sesto) può essere alternativamente usato come riserva, con inserimento automatico al posto di un amplificatore non funzionante.





IMPORTANTE: la seguente sezione del manuale è riservata al solo personale addestrato e qualificato per l'installazione e la manutenzione del sistema

INSTALLAZIONE MX 3250 A PARETE OD IN UN ARMADIO RACK 19"

L'apparecchio deve essere posto in un ambiente chiuso, all'interno di un'area protetta non soggetta a condizioni che possano comprometterne le prestazioni, ad esempio: umidità, salsedine, infiltrazioni d'acqua, temperature estreme, possibilità di urti, ecc. .

L'unità centrale MX 3250 può essere installata:

- a parete (sporgente);
- a semi-incasso a parete (lo scasso dovrà avere una profondità compresa tra 140-145 mm);
- in un armadio rack 19" (12 unità).

È consigliabile posizionarla ad un'altezza che la renda facilmente accessibile; il display del pannello frontale dovrebbe essere ad altezza d'occhi.

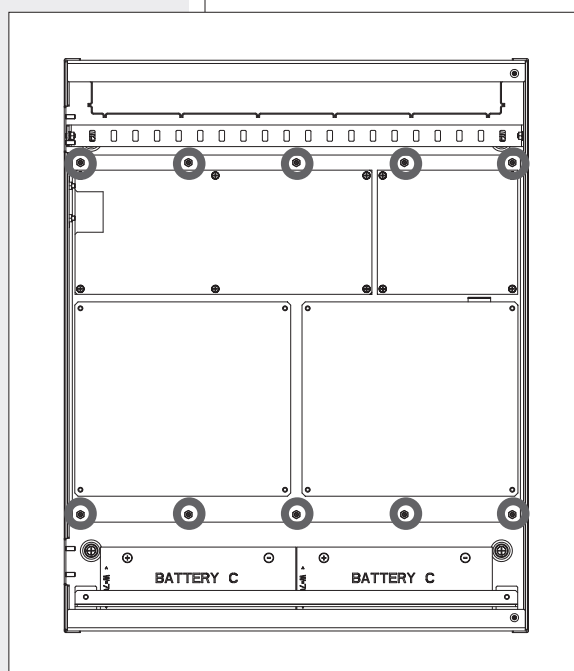
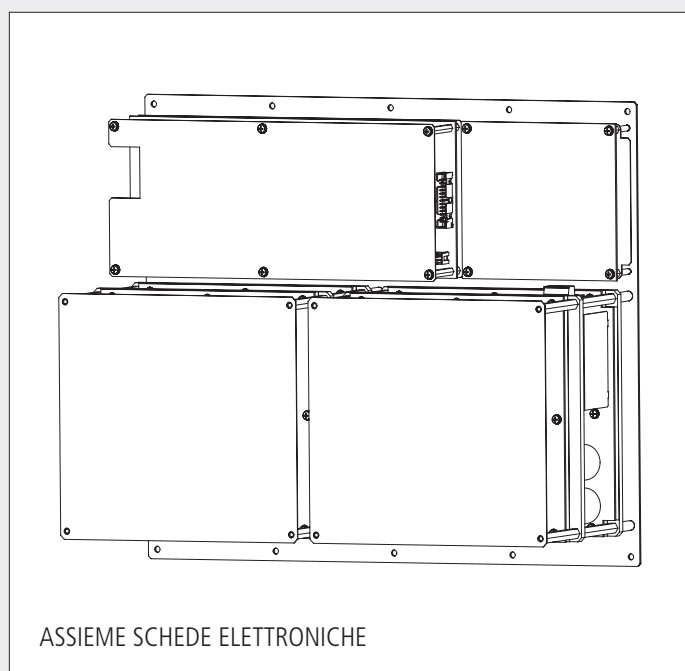
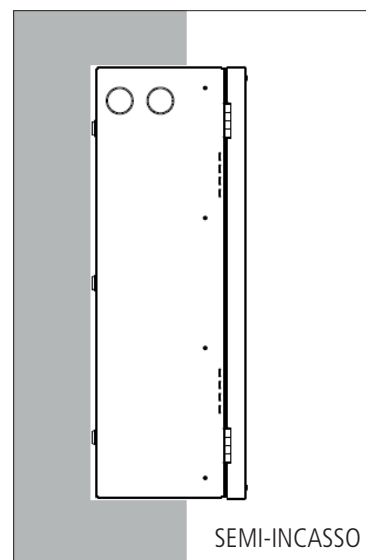
Se installata in un armadio rack 19" tramite le alette laterali in dotazione, occorre almeno uno spazio libero di 12 unità.

I tappi coprifiori si rimuovono tramite l'uso di un cacciavite piatto (un colpo secco sul bordo del tappo coprifioro).

I cavi per segnali audio, le linee per altoparlanti ed i cavi di alimentazione devono essere tenuti separati gli uni dagli altri.

Per effettuare l'installazione sporgente a parete occorre:

1. accertarsi che l'unità centrale MX 3250 non sia già stata collegata alle rete elettrica (in tal caso, scollegare il cavo d'alimentazione);
2. svitare le due viti poste agli angoli sulla destra del pannello frontale per aprire l'unità centrale MX 3250 e prestare attenzione a NON toccare i componenti delle schede elettroniche (per evitare eventuali danni causati da cariche elettrostatiche);
3. scollegare e rimuovere le batterie (se presenti);
4. svitare i dieci bulloni (cinque in alto e cinque in basso) indicati nella figura e rimuovere l'assieme delle schede elettroniche dal telaio;



5. fissare il telaio alla parete tramite cinque tasselli adeguati e con viti M5 passanti per i suoi fori (con diametro 5,5 mm) indicati nella figura;

6. rimontare l'insieme delle schede elettroniche.

Al termine dell'installazione del telaio, impostare il dip-switch interno **SWITCH OFF/ON** 17 su OFF, poi procedere con il collegamento dei dispositivi esterni (es. basi microfoniche, sorgenti musicali, ingressi ed uscite logici), delle linee altoparlanti ed infine delle batterie.

Al termine, collegare l'alimentazione da rete elettrica ed accendere il sistema impostando il dip-switch SWITCH OFF/ON su ON.

PROCEDURA DI ACCENSIONE

Per accendere correttamente il sistema, evitando qualunque rischio per l'installatore, è necessario attenersi alla seguente procedura:

1. partire dalla condizione iniziale in cui la macchina non è alimentata dalla rete e le batterie sono scollegate;
2. assicurarsi che il microinterruttore 6 (SWITCH ON/OFF) 17 sulla scheda madre sia in posizione OFF;
3. collegare le batterie (vedere la sezione "Collegamento delle batterie" a pagina 33);
4. collegare l'unità centrale MX 3500 alla rete elettrica;
5. impostare il microinterruttore 6 (SWITCH ON/OFF) 17 sulla scheda madre su ON.

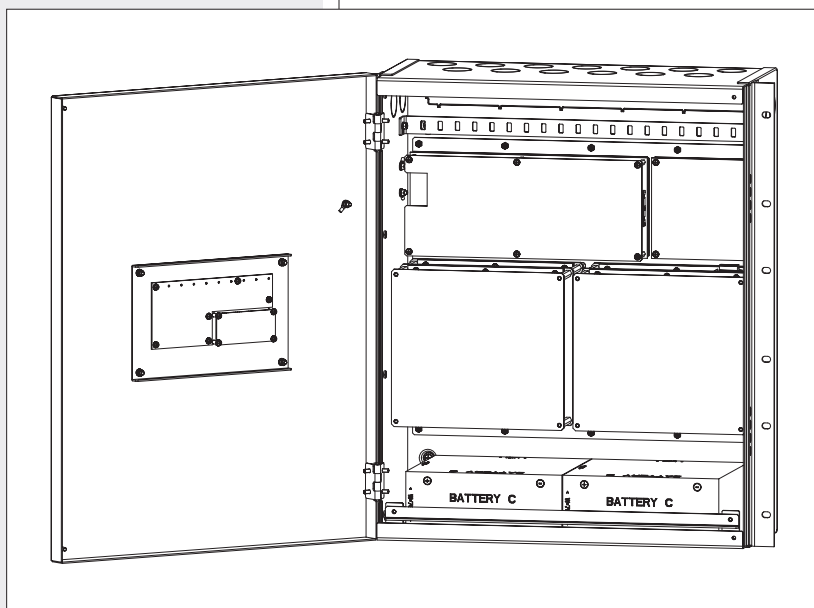
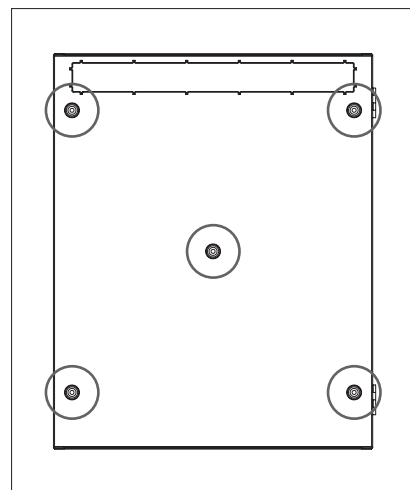
Per spegnere il sistema, eseguire la procedura in ordine inverso.

APERTURA DELL'APPARECCHIO E DISPOSIZIONE DELLE SCHEDE INTERNE



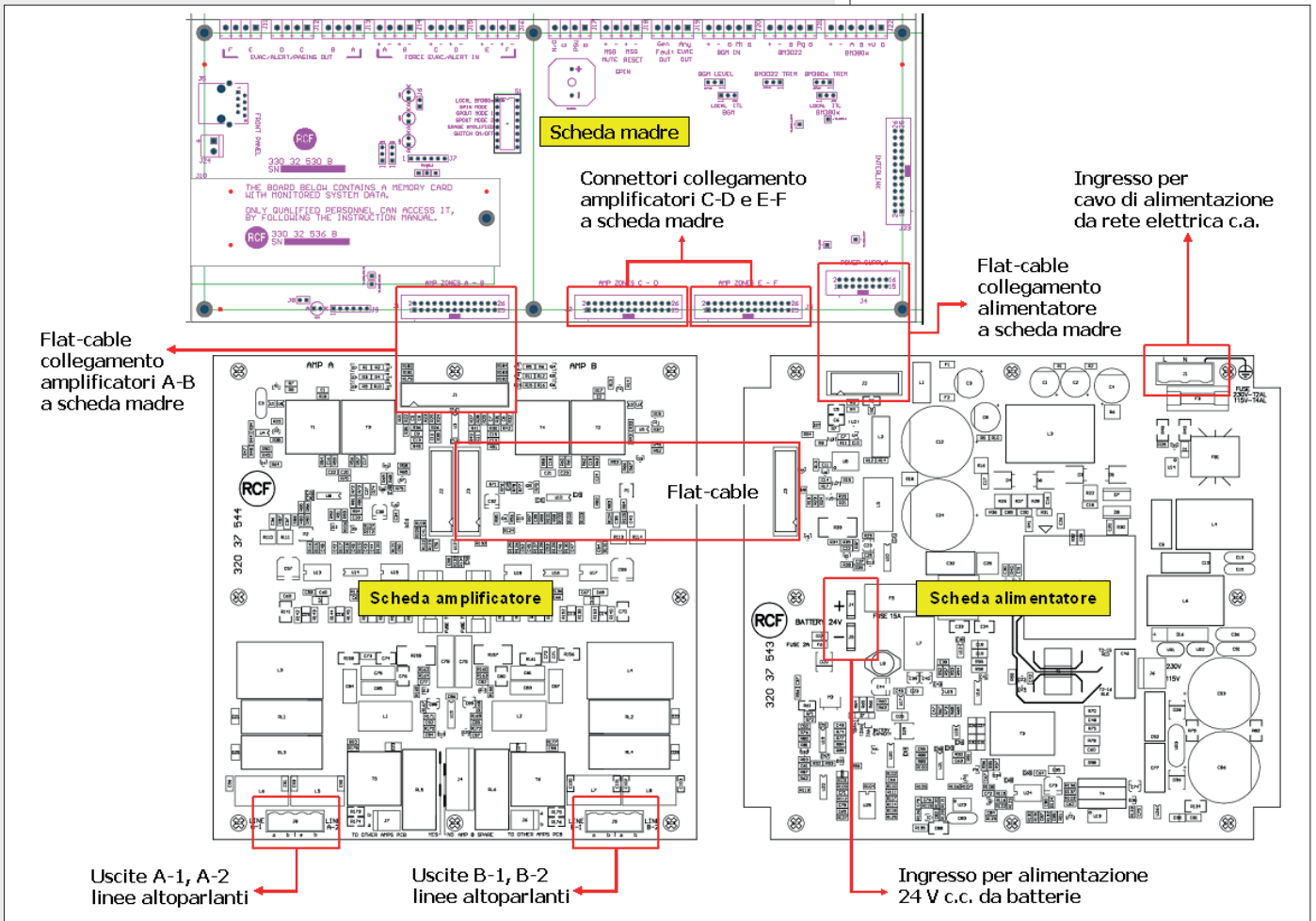
NOTE IMPORTANTI

- SE L'APPARECCHIO È COLLEGATO ALLA RETE ELETTRICA, SULLA SCHEDA ALIMENTATORE È PRESENTE UNA TENSIONE PERICOLOSA: PRESTARE ATTENZIONE!
- PRIMA DI TOCCARE QUALSIASI COMPONENTE INTERNO, OCCORRE LIBERARSI DI EVENTUALI CARICHE ELETTROSTATICHE TOCCANDO PER UN ATTIMO UNA PARTE METALLICA POSTA A TERRA.



Svitare le due viti poste agli angoli sulla destra del pannello frontale per aprire l'unità centrale MX 3250 ed accedere alle sue schede interne.

Le due batterie vanno poste sul fondo e fissate tramite l'apposito accessorio (incluso); smaltire sempre le batterie esauste secondo le normative locali.



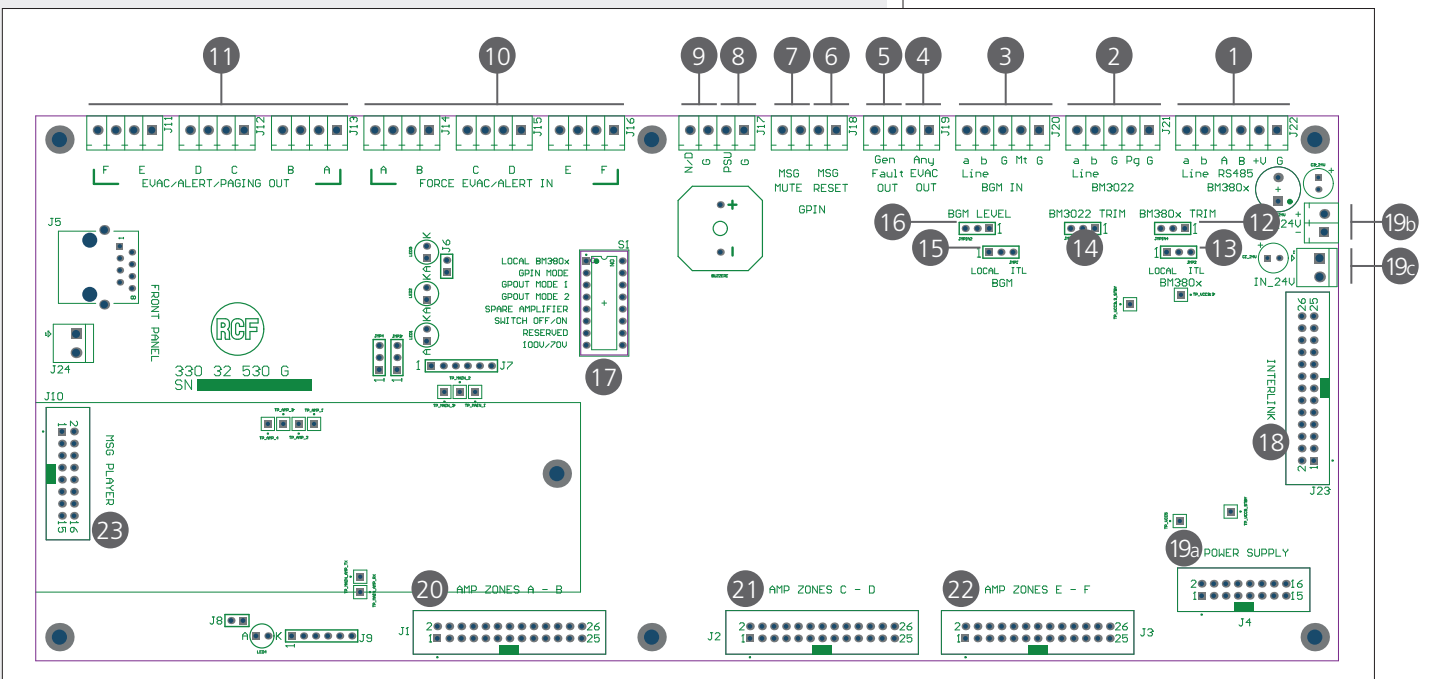
NOTE

- LE SCHEDE AMPLIFICATORE ED ALIMENTATORE SONO PROTETTE DA UNO SCHERMO METALLICO.
- LA PRIMA SCHEDA AMPLIFICATORE (C-D) AGGIUNTIVA SI PUÒ MONTARE A CASTELLO SU QUELLA GIÀ PRESENTE (A-B).
- LA SECONDA SCHEDA AMPLIFICATORE (E-F) AGGIUNTIVA SI PUÒ MONTARE A CASTELLO SULLA SCHEDA ALIMENTATORE.



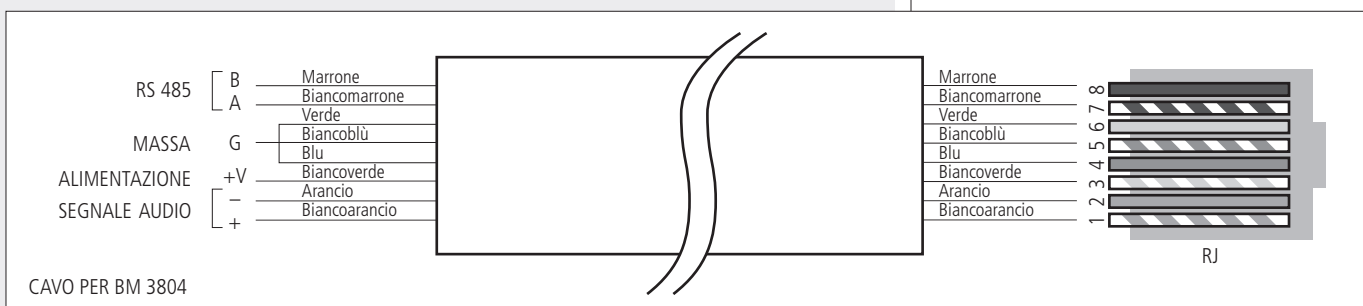
SCHEDA MADRE

La scheda madre è l'unità di controllo del sistema collegata a tutte le altre schede.

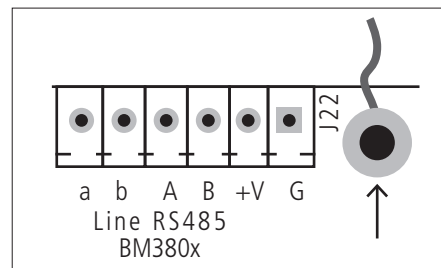


1 Ingresso per base microfonica monitorata e con funzioni d'emergenza, es. BM 3804.

POLO CONNETTORE	DESCRIZIONE	COLORE CONDUTTORI CAVO BM 3804
+	Segnale audio (+)	Biancoarancio (pin 1 RJ)
-	Segnale audio (-)	Arancio (pin 2 RJ)
A	Interfaccia seriale RS 485 A (+)	Biancomarrone (pin 7 RJ)
B	Interfaccia seriale RS 485 B (-)	Marrone (pin 8 RJ)
+V	Alimentazione + 24 V c.c.	Biancoverde (pin 3 RJ)
G	Massa	Blu, Biancoblù, Verde (pin 4-5-6 RJ)

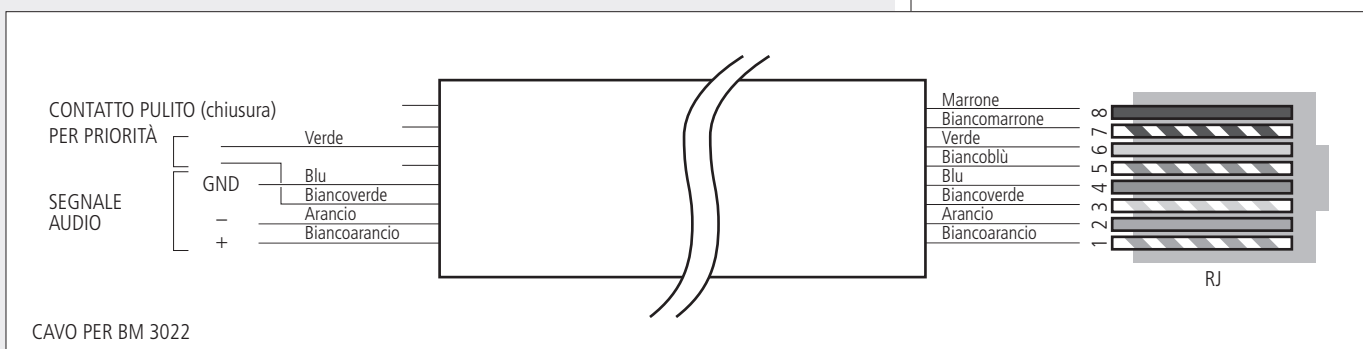


NOTA: IN CASO DI RUMORE DI FONDO ECCESSIVO (NEL SEGNALE AUDIO DELLA BASE MICROFONICA BM 3804), METTERE A TERRA LA SCHERMATURA DEL CAVO, FISSANDO LA CALZA AL FORO DELLA SCHEDA MADRE ACCANTO ALL'INGRESSO BM 3804, TRA DUE RONDELLE (UNA PIATTA ED UNA GROWER).



2 Ingresso ausiliario, per linea di basi microfoniche BM 3022 (non monitorate).

POLO CONNETTORE	DESCRIZIONE	COLORE CONDUTTORI CAVO BM 3022
+	Segnale audio (+)	Biancoarancio (pin 1 RJ)
-	Segnale audio (-)	Arancio (pin 2 RJ)
G	Massa segnale audio	Blu (pin 4 RJ)
Pg	Comando per attivazione ingresso e priorità	Verde (pin 6 RJ)
G	Massa per comando attivazione ingresso	Biancoverde (pin 3 RJ)



③ Ingresso audio bilanciato **BGM IN** normalmente collegato al lettore MP3 interno, ma anche utilizzabile per un riproduttore esterno di musica (es. lettore CD / MP3, radio, ecc.).

POLO CONNETTORE	DESCRIZIONE
+	Segnale audio (+)
-	Segnale audio (-)
G	Massa segnale audio
Mt	Comando MUTE (disattivazione ingresso musica)
G	Massa per comando MUTE

④ Uscita logica ANY EVAC OUT (contatto normalmente aperto di un relè), attiva (contatto chiuso) quando è in corso un evento d'evacuazione. *

⑤ Uscita logica GENERAL FAULT: contatto normalmente chiuso di un relè (quando l'MX 3250 è acceso) che si apre quando è rilevato un guasto nel sistema oppure l'MX 3250 è spento. *

⑥ Ingresso logico optoisolato GPIN MSG RESET (attivabile applicando una tensione $5 \div 48$ V c.c. ai due contatti + e -): disattiva stabilmente (STOP) la riproduzione del messaggio d'evacuazione o d'allerta in corso.

⑦ Ingresso logico optoisolato GPIN MSG MUTE (attivabile applicando una tensione $5 \div 48$ V c.c. ai due contatti + e -): mette (finché attivo) momentaneamente a zero il volume del segnale audio del messaggio d'evacuazione o d'allerta in corso, ma la sua riproduzione continua.

⑧ Ingresso logico per la segnalazione di guasto dell'alimentatore esterno. I due contatti PSU e G devono essere aperti in condizione di funzionamento normale dell'alimentatore esterno; la segnalazione di guasto avviene quando sono posti in cortocircuito.

⑨ Ingresso logico per la commutazione della modalità di funzionamento tra:
 - "GIORNO", i due contatti N/D e G sono lasciati aperti;
 - oppure "NOTTE", i due contatti N/D e G sono posti in cortocircuito.
 La modalità "NOTTE" attenua il volume della musica di sottofondo (livello ingresso BGM IN ③).

⑩ Sei ingressi logici optoisolati FORCE EVAC/ALERT IN (uno per ciascuna delle 6 possibili zone) per forzare l'attivazione del messaggio d'evacuazione o d'allerta con la modalità definita tramite l'impostazione del microinterruttore (dip-switch) GPIN MODE ⑰.

L'attivazione del messaggio in una o più zone si effettua applicando una tensione $5 \div 48$ V c.c. ai due rispettivi contatti + e -.
 Vedere lo schema a pagina 58 "Monitoraggio del sistema d'allarme antincendio".

TUTTI GLI INGRESSI LOGICI OPTOISOLATI PERMETTONO IL CONTROLLO DELLA LINEA (DAL DISPOSITIVO COLLEGATO) TRAMITE DUE RESISTENZE INTERNE: 1 kΩ IN SERIE E 6,8 kΩ IN PARALLELO.

⑪ Sei uscite logiche EVAC/ALERT/PAGING OUT (una per ciascuna delle 6 possibili zone). Ognuna è attiva (i due contatti in cortocircuito) quando è in corso un annuncio microfonico oppure un messaggio d'evacuazione o d'allerta, con la modalità definita tramite l'impostazione dei microinterruttori (dip-switch) GPO MODE ⑰. *

* Tutte le uscite logiche hanno un relè con le seguenti caratteristiche:

- Max. corrente (portata): 2 A
- Max. tensione commutabile: 100 V
- Max. potenza commutabile: 30 W



12 Jumper BM 3804 TRIM: impostazione del guadagno dell'ingresso audio BM 3804 ①, utile per compensare eventuali attenuazioni del segnale lungo la linea.

IMPOSTAZIONE JUMPER	GUADAGNO D'INGRESSO
non inserito	nessun guadagno
su pin 1 – 2	+ 3 dB
su pin 2 – 3	+ 6 dB

13 Jumper BM 3804 per selezionare l'ingresso audio della base microfonica BM 3804 tra "locale" (impostazione normale) ed "Interlink" (solo con scheda opzionale INTERLINK).

IMPOSTAZIONE JUMPER	FUNZIONE
LOCAL	LOCALE (impostazione standard): si utilizza l'ingresso BM 3804 ① per il collegamento della linea delle basi microfoniche BM 3804.
ITL	INTERLINK (impostazione solo con scheda opzionale INTERLINK): la linea delle basi microfoniche BM 3804 è collegata alla scheda INTERLINK, mentre l'ingresso diretto BM 3804 ① è disabilitato.

14 Jumper BM 3022 TRIM: impostazione del guadagno dell'ingresso audio BM 3022 ②, utile per compensare eventuali attenuazioni del segnale lungo la linea.

IMPOSTAZIONE JUMPER	GUADAGNO D'INGRESSO
non inserito	nessun guadagno
su pin 1 – 2	+ 3 dB
su pin 2 – 3	+ 6 dB

15 Jumper BGM per determinare l'utilizzo della sorgente musicale locale (collegata all'ingresso BGM IN ③) tra "locale" ed "Interlink" (solo con scheda opzionale INTERLINK).

IMPOSTAZIONE JUMPER	FUNZIONE
LOCAL	LOCALE (impostazione standard): il segnale audio della sorgente musicale collegata all'ingresso BGM IN ③ è disponibile solo per l'unità centrale MX 3250 a cui è collegata.
ITL	INTERLINK (impostazione solo con scheda opzionale INTERLINK): il segnale audio della sorgente musicale collegata all'ingresso BGM IN ③ è comune a tutti i dispositivi collegati tramite scheda INTERLINK.

16 Jumper BGM LEVEL per l'impostazione del guadagno dell'ingresso audio BGM IN 3.

IMPOSTAZIONE JUMPER	GUADAGNO D'INGRESSO
non inserito	nessun guadagno
su pin 1 – 2	+ 6 dB
su pin 2 – 3	+ 12 dB

17 Microinterruttori (dip-switch)

DIP-SWITCH	IMPOSTAZIONE	FUNZIONE
LOCAL BM3804	OFF	Linea delle basi microfoniche collegata a scheda INTERLINK (quando disponibile).
	ON	La linea delle basi microfoniche BM 3804 è collegata all'ingresso BM 3804 1 e controlla direttamente la selezione delle zone.
GPIN MODE	OFF	Modalità SINGOLA – EVACUAZIONE: l'attivazione di ciascun ingresso logico 10 comporta l'invio del messaggio d'evacuazione nella rispettiva zona (A = zona 1, B = zona 2, C = zona 3, D = zona 4, E = zona 5, F = zona 6).
	ON	Modalità DOPPIA – EVACUAZIONE/ALLERTA: l'attivazione dei primi tre ingressi logici A, B, C 10 comporta l'invio del messaggio d'evacuazione in coppie di zone (A = zone 1-2, B = zone 3-4, C = zone 5-6); l'attivazione dei secondi tre ingressi logici D, E, F 10 comporta l'invio del messaggio d'allerta in coppie di zone (D = zone 1-2, E = zone 3-4, F = zone 5-6). Nota: il messaggio d'evacuazione è prioritario su quella d'allerta.
GPOUT MODE (due dip-switch)	1: OFF, 2: OFF	Modalità SINGOLA – EVACUAZIONE/ALLERTA: ciascuna uscita logica 11 (se attiva) segnala l'invio del messaggio d'evacuazione o d'allerta nella rispettiva zona (A = zona 1, B = zona 2, C = zona 3, D = zona 4, E = zona 5, F = zona 6).
	1: ON, 2: OFF	Modalità SINGOLA – EVACUAZIONE/ANNUNCI: ciascuna uscita logica 11 (se attiva) segnala l'invio del messaggio d'evacuazione o di un annuncio microfonico nella rispettiva zona (A = zona 1, B = zona 2, C = zona 3, D = zona 4, E = zona 5, F = zona 6).
	1: OFF, 2: ON	Modalità DOPPIA – EVACUAZIONE / ALLERTA / ANNUNCI: le prime tre uscite logiche A, B, C 11 (se attive) segnalano l'invio del messaggio d'evacuazione o d'allerta in coppie di zone (A = zone 1-2, B = zone 3-4, C = zone 5-6); le seconde tre uscite logiche D, E, F 11 (se attive) segnalano l'invio dell'annuncio microfonico in coppie di zone (D = zone 1-2, E = zone 3-4, F = zone 5-6).
	1: ON, 2: ON	Impostazione non utilizzata.
SPARE AMPLIFIER	OFF	Non è previsto l'amplificatore di riserva.
	ON	L'ultimo amplificatore disponibile e impostato come riserva. NOTA: per attivare l'amplificatore di riserva è necessario impostare i jumper 35 su YES sull'ultima scheda amplificatore.
SWITCH OFF/ON	OFF	Dato che il sistema è progettato per rimanere sempre acceso, questa impostazione forza lo spegnimento per permettere il collegamento delle batterie (in modo da evitare scintille per contatto).
	ON	Sistema acceso (impostazione normale).
DIP-SWITCH nr.7	Non utilizzato.	
DIP-SWITCH nr.8	OFF	Tensione delle uscite per linee altoparlanti: 100 V .
	ON	Tensione delle uscite per linee altoparlanti: 70 V .

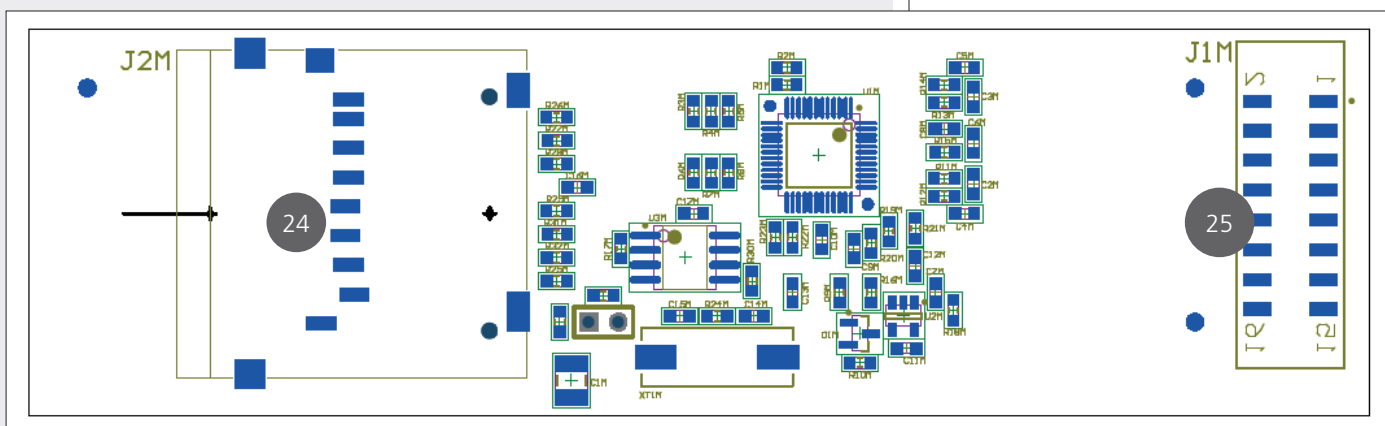
- 18 Connettore per scheda INTERLINK (opzionale, per l'interfacciamento con altre unità).
- 19_a Connettore POWER SUPPLY per l'alimentatore interno.
- 19_b Connettore OUT_24 V: uscita 24 V c.c. .
- 19_c Connettore IN_24 V: ingresso 24 V c.c. .
- 20 Connettore AMP ZONE A – B per il collegamento della prima scheda con amplificatori (zone 1 e 2).
- 21 Connettore AMP ZONE C – D per il collegamento della seconda scheda con amplificatori (zone 3 e 4).
- 22 Connettore AMP ZONE E – F per il collegamento della terza scheda con amplificatori (zone 5 e 6).
- 23 Connettore MSG PLAYER per il collegamento della scheda messaggi.

SCHEDA MESSAGGI

La scheda messaggi è fissata direttamente sulla scheda madre.

Su di essa si trova la memoria SD CARD con i messaggi preregistrati che è usata anche per l'aggiornamento del firmware.

La memoria SD CARD è bloccata dal distanziale per il fissaggio della scheda madre, in modo che non sia possibile la sua rimozione, se non da personale autorizzato all'accesso ed alla manutenzione del sistema.



- 24 Slot per l'inserimento di una memoria SD CARD.
- 25 Connettore per il collegamento a quello della scheda madre (MSG PLAYER 23).

Formato audio: **Ogg Vorbis, min. bitrate: 64 kbit/s.**

Numero massimo di messaggi: 16, più il tono di preavviso.


















Frequenza di campionamento: 16 kHz o superiore (consigliata 44.1 kHz), mono.

Risoluzione: 16 bit.

Durata massima dei messaggi: delimitata dalle dimensioni della scheda di memoria.

I messaggi devono essere caricati su scheda SD già convertiti, utilizzando un software (gratuito), quale ad esempio <http://www.ogg-converter.com> .

I messaggi devono essere nominati come mostrato in figura:

Nome	Dimensione	Tipo
File OGG		
 a0.ogg	59 KB	File OGG
 a1.ogg	70 KB	File OGG
 a2.ogg	120 KB	File OGG
 c0.ogg	59 KB	File OGG
 c1.ogg	59 KB	File OGG
 c2.ogg	171 KB	File OGG
 e0.ogg	89 KB	File OGG
 h0.ogg	10 KB	File OGG
 e1.ogg	100 KB	File OGG
 e2.ogg	189 KB	File OGG
 e3.ogg	89 KB	File OGG
 t0.ogg	74 KB	File OGG
 t1.ogg	89 KB	File OGG
 t2.ogg	58 KB	File OGG
 t3.ogg	74 KB	File OGG
 t4.ogg	100 KB	File OGG
 t5.ogg	62 KB	File OGG

MESSAGGI D'EMERGENZA

a0, a1, a2:

(alert) messaggi d'allerta (max. 3)

c0, c1, c2:

(clear) messaggi di cessato allarme (max. 3)

e0, e1, e2, e3:

(evacuation) messaggi d'evacuazione (max. 4)

h0, h1, h2:

tono di preavviso inviato prima di un annuncio

TONO DI PREAVVISO ("din-don", "chime")

h0: tono di preavviso inviato prima di un annuncio

Messaggi per il test del sistema

t0: pre-test, preavviso test (menù principale)

t1: test (menù principale)

t2: end-test, fine test (menù principale)

t3: pre-test, preavviso test (menù SERVICE)

t4: test (menù SERVICE)

t5: end-test, fine test (menù SERVICE)

SCHEDA ALIMENTATORE

26 Ingresso per il cavo di alimentazione da rete elettrica 230 / 115 V c.a. (50-60 Hz) con fusibile di protezione:
T2AL 230 V [230 V]
T4AL 230 V [115 V]

L: fase

N: neutro

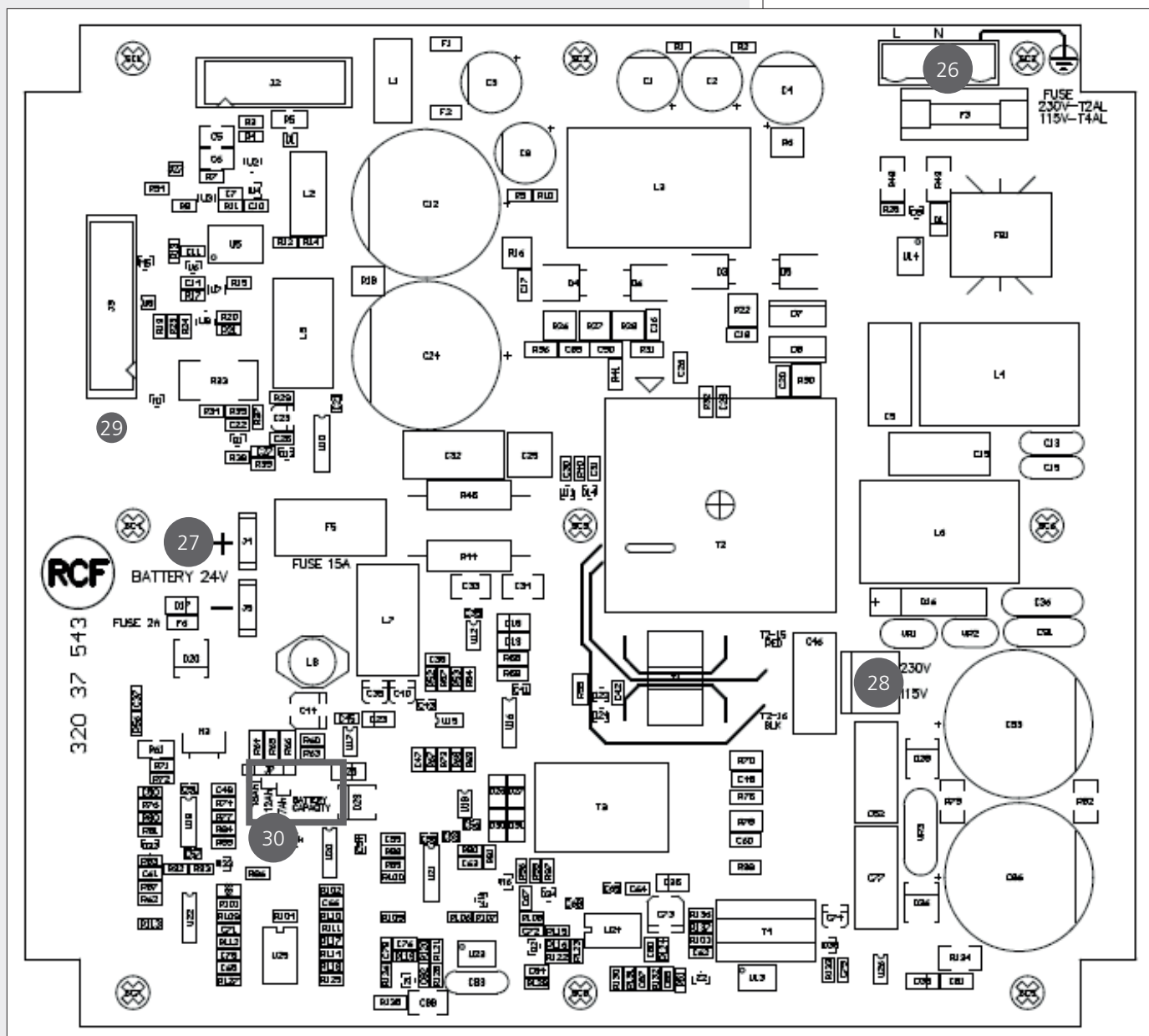
⊕: terra

27 Ingresso per alimentazione 24 V c.c. da batterie.
+ : polo positivo
- : polo negativo

28 Jumper per la selezione della tensione di rete tra 230 V e 115 V.

29 Connettore per il cavo di collegamento (flat-cable) alla prima scheda amplificatore.

30 Jumper per la scelta della capacità delle batterie tra 7 – 12 – 18 Ah.



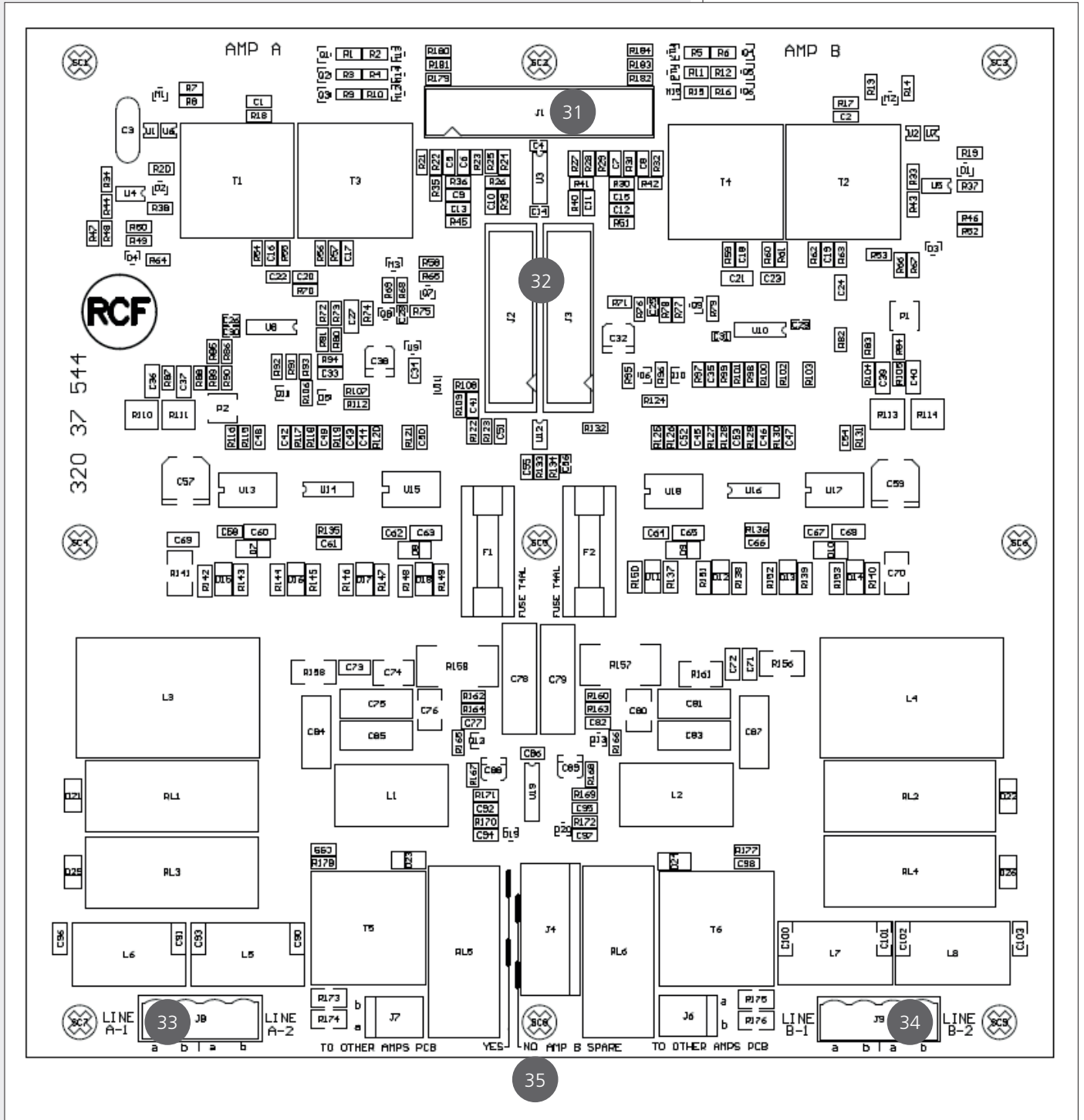
SCHEDA AMPLIFICATORE

- 31 Connettore per il cavo di collegamento (flat-cable) alla scheda madre.
- 32 Connettori per i cavi di collegamento (flat-cable) alla scheda alimentatore ed alla scheda amplificatore successiva (se presente).
- 33 Uscite A-1 ed A-2 per linee altoparlanti (a tensione costante).
- 34 Uscite B-1 e B-2 per linee altoparlanti (a tensione costante).

NOTA: PER QUANTO RIGUARDA LE LINEE ALTOPARLANTI, LA SCELTA DELLA TENSIONE D'USCITA TRA 100 V E 70 V SI EFFETTUA TRAMITE L'OTTAVO DIP-SWITCH 17 POSTO SULLA SCHEDA MADRE.



- 35 JUMPER PER L'IMPOSTAZIONE DELL'AMPLIFICATORE B COME RISERVA. IMPOSTARLI ENTRAMBI SU NO PER L'USO NORMALE OPPURE SU YES PER LA RISERVA.



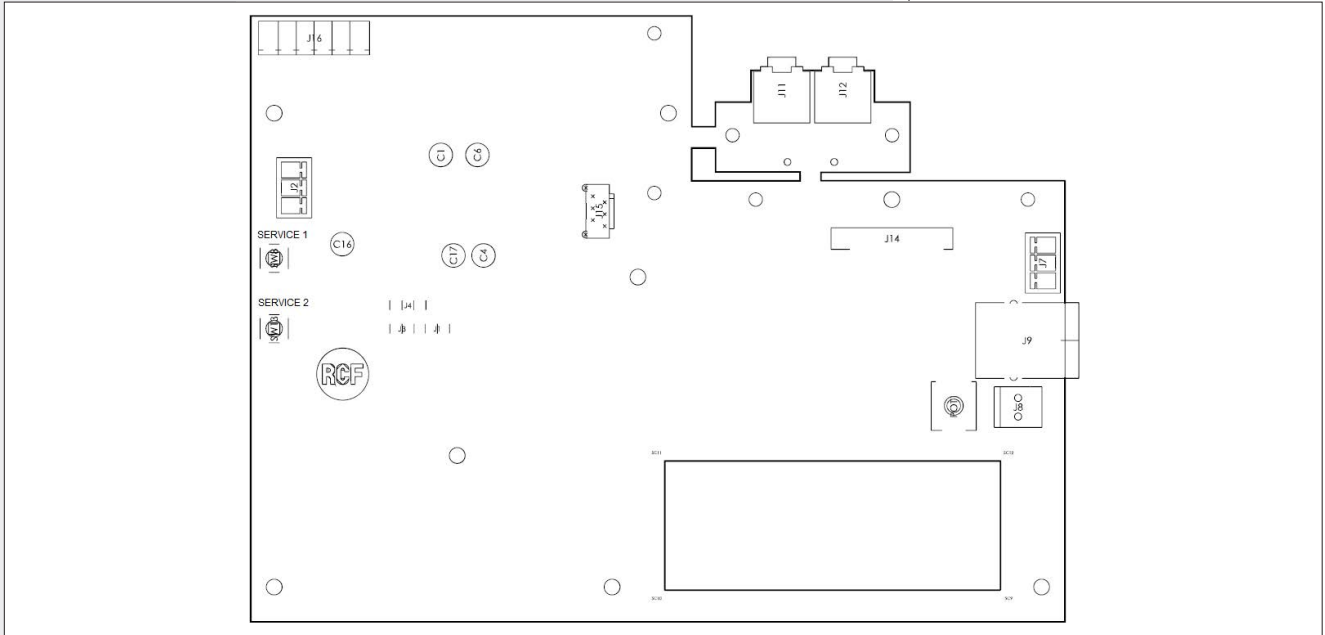
SCHEDA DEL PANNELLO FRONTALE

La scheda del pannello frontale ha tutti gli indicatori luminosi (LED) per le segnalazioni previste dalla normativa e tutti i comandi per agire sul sistema.

La scheda è inoltre dotata sul retro di due pulsanti SERVICE (accessibili dall'interno solamente dal personale autorizzato e specializzato): **per entrare nella modalità di manutenzione, tenere premuto per alcuni secondi solo il tasto SERVICE 1 (fino a quando il menù SERVICE è mostrato sul display).**

Il tasto SERVICE 2 non è utilizzato.

L'accesso agli altri menù è regolamentato da appositi livelli di password.



PROCEDURA PER LA MODIFICA DELLA PASSWORD

La centrale MX 3250 offre 4 livelli di accesso, cui corrispondono altrettante autorizzazioni operative, come previsto dalla normativa EN 54-16:2008.

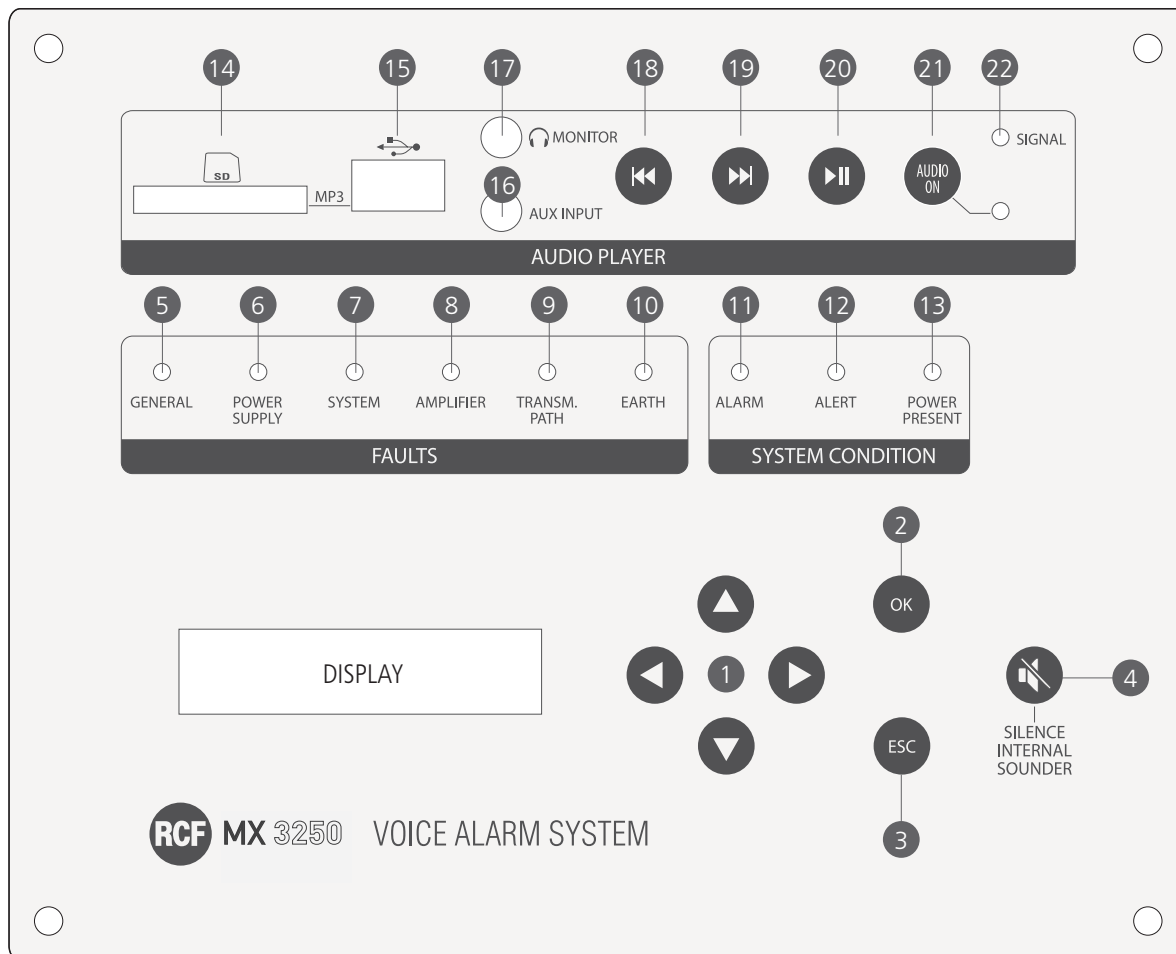
Il primo livello (0) non richiede password.

Per gli altri livelli è impostata una password iniziale di default il cui valore è:

- Livello 1 111
- Livello 2 222
- Livello 3 333

Per modificare la password è necessario seguire la seguente procedura:

1. spegnere il sistema;
2. rimuovere la SD CARD con messaggi preregistrati;
3. caricare sulla SD CARD il file "PASS.TXT", modificato tramite un PC esterno (con s.o. Windows) con il seguente contenuto:
XXX nuova password per il livello 1 composta di tre cifre comprese tra 0 e 9;
YYY nuova password per il livello 2 composta di tre cifre comprese tra 0 e 9;
ZZZ nuova password per il livello 3 composta di tre cifre comprese tra 0 e 9;
4. collocare la SD CARD sulla scheda messaggi;
5. accendere il sistema ed attendere l'aggiornamento delle password;
6. spegnere il sistema;
7. rimuovere la SD CARD con messaggi preregistrati;
8. cancellare dalla SD CARD il file "PASS.TXT";
9. collocare la SD CARD sulla scheda messaggi;
10. accendere il sistema.



- 1 Corsore a 4 tasti (▲: su, ▼: giù, ◀: sinistra, ▶: destra)
- 2 Tasto **OK**: premere per selezionare.
- 3 Tasto **ESC**: premere per uscire dal menù visualizzato sul display.
- 4 Tasto **SILENCE INTERNAL SOUNDER**: premere per disattivare il cicalino interno (conferma di presa atto della segnalazione del guasto).
- 5 – 10 Indicatori luminosi (LED) **FAULTS** dei guasti:

Nr.	COLORE	INDICAZIONE (QUANDO ACCESO)
5	Giallo	Indicazione generica: uno o più guasti sono stati rilevati.
6	Giallo	Guasto all'alimentazione.
7	Giallo	Reset del processore interno.
8	Giallo	Sono stati rilevati guasti su uno o più amplificatori (indicati sul display).
9	Giallo	Sono stati rilevati guasti nel percorso del segnale, es. nelle basi microfoniche e/o nelle linee altoparlanti e/o nell'interfaccia "interlink".
10	Giallo	Dispersione verso terra nelle linee altoparlanti.

11 – 13 Indicatori luminosi (LED) SYSTEM CONDITION dello stato del sistema:

Nr.		COLORE	INDICAZIONE (QUANDO ACCESO)
11	ALARM	Rosso	È in corso la riproduzione del messaggio d'evacuazione.
12	ALERT	Giallo	È in corso la riproduzione del messaggio d'allerta.
13	POWER PRESENT	Verde	È presente l'alimentazione principale da rete elettrica oppure quella secondaria in corrente continua 24 V.

LETTORE MP3

14 Porta per le schede SD ("Secure Digital", max. 16 GB). Da NON utilizzarsi nel caso che sia già stata inserita una memoria USB nella rispettiva porta 15.

15 Porta per memoria USB (max. 16 GB).

Da NON utilizzarsi nel caso che sia già stata inserita una scheda SD nella rispettiva porta 14.

L'estensione dei file deve essere .mp3 (MP3 sta per MPEG Audio Layer 3 ed è uno standard di compressione audio). Tutte le cartelle del supporto (SD o USB) sono scansionate automaticamente; la riproduzione dei file MP3 è in ordine alfabetico.

16 AUX INPUT

Ingresso audio ausiliario sbilanciato (per connettore jack TRS / stereo 3,5 mm) per sorgente audio esterna. L'ingresso audio è stereo, ma il segnale è internamente sommato in mono ed inviato al sistema solo quando:

- il lettore MP3 del pannello frontale è in pausa;
- è stato premuto il tasto AUDIO ON 21 ed il rispettivo LED è acceso.

17 MONITOR

Uscita audio (per connettore jack TRS / stereo 3,5 mm).

Il suo livello audio è ottimizzato per le cuffie, ma è utilizzabile anche come uscita a livello "linea". Questa uscita è sempre attiva (anche quando il tasto AUDIO ON è spento) e permette quindi il preascolto della musica (prima di inviarla al sistema).

18 Tasto per la selezione del file MP3 precedente.

19 Tasto per la selezione del file MP3 successivo.

20 Tasto per attivare o mettere in pausa la riproduzione del lettore MP3. Le regolazioni dei livelli di volume sono quelle impostate nel sistema.

21 Tasto **AUDIO ON** con LED (blu)

Se premuto, permette (LED acceso) o nega (LED spento) l'invio del segnale audio del lettore MP 3 interno (ed anche del rispettivo ingresso AUX IN [16]) al sistema.

22 LED SIGNAL

LED blu indicante la presenza del segnale audio, con variazione d'intensità luminosa in funzione del livello del segnale.

ELENCO DEI PARAMETRI DEI MENÙ



LIVELLO 1	LIVELLO 2	LIVELLO 3	DESCRIZIONE
INFO (informazioni)			
	FIRMWARE VER		Versione corrente del firmware del microprocessore.
	AMP VER		Versione corrente del firmware del microprocessore dedicato al controllo delle linee.
	DSP VER		Versione corrente del firmware del DSP.
	ZONES NUMBER		Numero di zone del sistema.
		ACTIVE EVC/ALRT	Segnalazione di zone con evacuazione od allerta.
		GPI MASK	[DEBUG] Maschera di bit (provenienti dalla scheda amplificatore) d'attivazione degli ingressi logici GPI.
		RELAYS MASK	[DEBUG] Maschera di bit (provenienti dalla scheda amplificatore) d'attivazione dei relè.
		FAULT MASK	[DEBUG] Maschera di bit (provenienti dalla scheda amplificatore) di rilevazione guasti / errori (FAULT).
		ACK MASK	[DEBUG] Maschera di bit del riconoscimento dei guasti / errori.
		CONSOLES NUM	Numero di basi microfoniche collegate al sistema.
		CONSOLES MASK	[DEBUG] Maschera di bit delle basi microfoniche collegate al sistema.

LIVELLO 1		LIVELLO 2		LIVELLO 3		DESCRIZIONE
AUDIO SET (impostazioni audio)						
BGM						Impostazioni dell'ingresso audio BGM IN ³ (musica).
L	INPUT LEVEL					Livello dell'ingresso (- 40 ÷ + 6 dBu).
L	EQUALIZER					Equalizzatore 2 bande HI/LO (-10 ÷ + 12 dB).
L	ASSIGN (per ciascuna zona)					Abilita l'ingresso BGM IN nelle zone selezionate.
L	EVENT LEVEL (per ciascuna zona)					Livello d'uscita di ciascuna zona (- 40 ÷ + 6 dBu).
				MESSAGES		Impostazioni audio dei messaggi preregistrati.
		L	INPUT LEVEL			Livello dell'ingresso (- 40 ÷ + 6 dBu).
		L	EQUALIZER			Equalizzatore 2 bande HI/LO (-10 ÷ + 12 dB).
		L	ASSIGN (per ciascuna zona)			Abilita la riproduzione dei messaggi nelle zone selezionate.
		L	EVENT LEVEL (per ciascuna zona)			Livello d'uscita di ciascuna zona (- 40 ÷ + 6 dBu).
				BM 3804		Impostazioni dell'ingresso audio base mic. BM 3804.
		L	INPUT LEVEL			Livello dell'ingresso (- 40 ÷ + 6 dBu).
		L	EQUALIZER			Equalizzatore 2 bande HI/LO (-10 ÷ + 12 dB).
		L	ASSIGN (per ciascuna zona)			Abilita gli annunci microfoniche nelle zone selezionate.
		L	EVENT LEVEL (per ciascuna zona)			Livello d'uscita di ciascuna zona (- 40 ÷ + 6 dBu).
AUX INPUT						Impostazioni dell'ingresso audio base mic. BM 3022.
L	INPUT LEVEL					Livello dell'ingresso (- 40 ÷ + 6 dBu).
L	EQUALIZER					Equalizzatore 2 bande HI/LO (-10 ÷ + 12 dB).
L	ASSIGN (per ciascuna zona)					Abilita gli annunci microfoniche nelle zone selezionate.
L	EVENT LEVEL (per ciascuna zona)					Livello d'uscita di ciascuna zona (- 40 ÷ + 6 dBu).
L	VOX ENABLE					Impostare su ON per abilitare la funzione VOX (priorità automatica dell'ingresso AUX INPUT quando è rilevato un segnale (OFF: disattivata).
L	VOX LEVEL					Impostazione del livello di sensibilità della funzione VOX da 0 (più sensibile) a 15 (meno sensibile); valore default: 8.
				ZONE n (per ciascuna zona; n: zona selezionata)		Impostazioni audio della zona selezionata.
		L	LEVEL			Livello dell'uscita (NOTA: da utilizzarsi solo per modifiche temporanee, in quanto è sovrascritto dal parametro EVENT LEVEL).
		L	EQUALIZER			Equalizzatore 2 bande HI/LO (-10 ÷ + 12 dB).
		L	HI-PASS			Filtro passa-alto (20 / 500 Hz).

LIVELLO 1	LIVELLO 2	LIVELLO 3	DESCRIZIONE
FAULTS (guasti / errori)			
	[EVC/ALRT ZONE LIST]		Lista delle zone d'evacuazione o d'allerta.
	[FAULT LIST] FAULT_GENERAL FAULT_MAINS FAULT_BATTERY FAULT_AMP FAULT_SDCARD FAULT_VS1000 FAULT_BM380X FAULT_BM3022 FAULT_FP FAULT_DSPA FAULT_DSPB FAULT_FLASH FAULT_EEPROM EXT. FAULT FAULT_LINE1 FAULT_LINE2 FAULT_LINE3 FAULT_LINE4 FAULT_LINE5 FAULT_LINE6 FAULT_AUDIO_PATH FAULT_OVER_POWER FAULT_LINE1_IMP FAULT_LINE2_IMP FAULT_LINE3_IMP FAULT_LINE4_IMP FAULT_LINE5_IMP FAULT_LINE6_IMP FAULT_LINE_EARTHED FAULT_SPARE_ON		ELENCO GUASTI / ERRORI - guasto generale - alimentazione da rete c.a. - alimentazione da batterie c.c. - scheda amplificatore - memoria scheda SD - guasto modulo messaggi - base microfonica BM 3804 - base microfonica BM 3022 - guasto pannello frontale - DSP A - DSP B - memoria FLASH - memoria EEPROM - guasto esterno - linea 1 - linea 2 - linea 3 - linea 4 - linea 5 - linea 6 - segnale audio monitorato - potenza eccessiva - impedenza linea 1 - impedenza linea 2 - impedenza linea 3 - impedenza linea 4 - impedenza linea 5 - impedenza linea 6 - linea con dispersione a terra - amplificatore di riserva
	(liste dinamiche)		

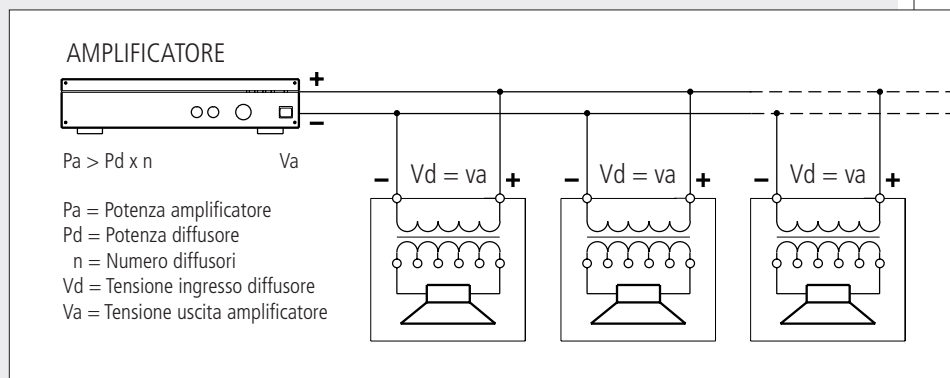
LIVELLO 1	LIVELLO 2	LIVELLO 3	DESCRIZIONE
UTILITY (utilità)			
	LEDS BUZZER TEST		Avvio del test degli indicatori luminosi (LED) e del cicalino interno ("buzzer").
		ESC TIMEOUT	Tempo limite di uscita dai menù [ON/OFF].
		LCD BACKLIGHT	Regolazione della retroilluminazione del display.
		DISCOVERY CONS.	Avvio della ricerca e riconoscimento delle basi microfoniche collegate al sistema.
		LINE TEST	Abilita / disabilita il controllo delle linee [ON/OFF].

MESSAGES (messaggi, nota: occorre chiedere conferma)			
	EMERGENCY		Messaggi d'emergenza
	L	PLAY EVACUATION	Avvia la riproduzione del messaggio d'evacuazione configurato nel menù SERVICE (nota: si attiva l'evento "evacuazione").
	L	PLAY ALERT	Avvia la riproduzione del messaggio d'allerta configurato nel menù SERVICE (nota: si attiva l'evento "allerta").
	L	PLAY CLEAR	Avvia la riproduzione del messaggio di cessato allarme configurato nel menù SERVICE (nota: se un evento d'emergenza è in corso, l'unico modo di cancellarlo è tramite il RESET; PLAY CLEAR non è abilitato).
	L	MESSAGE SILENCE	Pone a zero il volume del messaggio riprodotto, ma non cancella l'evento in corso.
	L	MESSAGE RESET	Ferma la riproduzione del messaggio e cancella l'evento.
	USER MESSAGES		Messaggi dell'utente
	L	PLAY PRE-TEST	Riproduce il messaggio di preavviso del test di sistema.
	L	PLAY TEST	Riproduce il messaggio di test del sistema.
	L	PLAY END-TEST	Riproduce il messaggio di fine test del sistema.
	L	STOP	Ferma il messaggio riprodotto.

LIVELLO 1	LIVELLO 2	LIVELLO 3	DESCRIZIONE
LOGIN (accesso ai vari livelli di sicurezza tramite l'inserimento della password di 3 cifre)			
LOGOUT (uscita e ritorno al livello 0 di sicurezza)			
SERVICE MENU (menù della manutenzione)			
		LINE CALIBR.	Calibrazione di ciascuna linea.
		IMPEDANCE VALUES	Visualizza l'impedenza di ciascuna linea.
		IMP THRESHOLD	Scelta tolleranza massima della variazione d'impedenza, scelta tra 20-30-40-50-60 %, per la segnalazione d'errore durante il controllo linee.
		DIAGNOSTIC	Diagnostica interna (controllo comunicazione periferiche) [OK/FAULT].
		BATTERY STATUS	Stato batterie: FAULT (guasto) – GOOD (funzionanti).
		SYSTEM REBOOT	Esegue un riavvio del sistema.
		CONFIGURATION	Configurazione
		L LOAD	Caricamento configurazione da memoria FLASH.
		L SAVE	Salvataggio configurazione su memoria FLASH.
		SELECT MSG	Selezione dei messaggi e test per la manutenzione
		L EVACUATION	Selezione del messaggio d'evacuazione preferito (scelto tra 4, se disponibili).
		L ALERT	Selezione del messaggio d'allerta preferito (scelto tra 3, se disponibili).
		L CLEAR	Selezione del messaggio di cessato allarme preferito (scelto tra 3, se disponibili).
		L PRE-TEST	Riproduce il messaggio di preavviso del test di sistema.
		L TEST	Riproduce il messaggio di test del sistema.
		L END-TEST	Riproduce il messaggio di fine test del sistema.
		CHIME MESSAGE	Selezione del CHIME preferito tra 1, 2 e 3.
		EVAC GPI N. S.	Selezione dello stato normale dei GPI di allarme (compreso quello di EVAC generale della scheda Interlink collegata, in caso di unità MASTER di un sistema distribuito) tra OPEN (normalmente aperto) e CLOSED (norm. chiuso). Come stato normale si intende quello nel quale la funzione non è attivata; quello di default è aperto (OPEN).
		EVAC GPO N. S.	Selezione dello stato normale dei GPO di allarme tra OPEN (normalmente aperto) e CLOSED (norm. chiuso). Come stato normale si intende quello nel momento in cui la funzione ad esso associata risulta non essere attivata.
		RESET GPI N. S.	Selezione dello stato normale di attivazione del contatto MSG RESET tra OPEN (norm. aperto) e CLOSED (norm. chiuso). Come stato normale si intende quello nel quale la funzione non è attivata; quello di default è aperto (OPEN).
		SIL. GPI N. S.	Selezione dello stato normale di attivazione del contatto MSG MUTE tra OPEN (norm. aperto) e CLOSED (norm. chiuso). Come stato normale si intende quello nel quale la funzione non è attivata; quello di default è aperto (OPEN).
		EXIT	Uscita



- La tensione d'ingresso del diffusore (V_d) deve corrispondere con la tensione d'uscita dell'amplificatore (V_a).
- La somma delle potenze nominali di tutti i diffusori ($P_d \times n$) collegati alla linea non deve superare quella dell'amplificatore (P_a).
- Per garantire una corretta riproduzione audio, effettuare il collegamento di tutti i diffusori "in fase".



- Utilizzare dei cavi con conduttori aventi una sezione adeguata, considerando la loro lunghezza e la potenza complessiva dei diffusori acustici.
- Per evitare che fenomeni induttivi diano luogo a ronzii, disturbi e compromettano il funzionamento del sistema, i cavi per i diffusori non devono essere canalizzati assieme ai conduttori dell'energia elettrica, ai cavi microfonici od altre linee.
- Per minimizzare gli effetti induttivi (ronzii) dovuti all'accoppiamento con campi elettromagnetici circostanti, utilizzare cavi con conduttori intrecciati.

Nei sistemi d'allarme antincendio, devono essere utilizzati cavi con particolari caratteristiche di resistenza al fuoco.

I modelli RCF adatti all'uso sono:

- CV 210 - 2 x 1 mm² (codice 143 80 030);
- CV 215 - 2 x 1,5 mm² (codice 143 80 031);
- CV 225 - 2 x 2,5 mm² (codice 143 80 032).

INDICAZIONI MISURA IMPEDENZA LINEE DIFFUSORI



Il monitoraggio dell'integrità delle linee diffusori nel sistema DXT 3000 è compiuto tramite la misura dell'impedenza a frequenza subsonica (20 Hz).

Tale metodo di misura è stato scelto in virtù della sua buona stabilità e dell'accuratezza del valore calcolato, il che permette di evitare false segnalazioni di guasto sulla linea che spesso si hanno con le misurazioni di impedenza (più veloci) con frequenze ultrasoniche, ma maggiormente soggette a disturbi ed errori.

Per utilizzare in maniera adeguata il controllo linee del sistema DXT 3000, in modo che rispetti pienamente i dettami della normativa di sicurezza europea EN 54-16, è necessario comunque attenersi ai limiti funzionali della macchina.

I due limiti principali riguardano:

- l'intervallo d'impedenza misurabile;
- la massima / minima tolleranza rispetto al valore di calibrazione della misura per la rilevazione di un errore sulla linea.

Si analizzano ora dettagliatamente questi due punti in questione.

INTERVALLO D'IMPEDENZA MISURABILE

Il campo dell'impedenza è calibrato su quello che è il taglio di amplificazione supportato dal sistema DXT 3000.

La scheda amplificatore interna ha due uscite (due zone) con potenza massima complessiva di 250W, potenza distribuibile a piacere su entrambe le zone. Il numero di zone è espandibile a 4 o 6 (aggiungendo una o due schede amplificatori); la potenza erogabile rimane comunque 250 W.

Per una linea a tensione costante 100 V (oppure 70 V), l'impedenza minima misurabile **Zmin** è stimabile (in tutti i tre casi) a quella ottenibile con un carico avente il doppio della massima potenza erogabile **Pmax** su una singola linea (ignorando l'efficienza dei diffusori ed approssimando l'impedenza a 20 Hz con quella reale; il fasore d'impedenza a 20 Hz è sfasato di soli 9° con l'asse reale).

$$Z_{min_{100V}} = \frac{(100 \text{ V})^2}{2 P_{max}}$$

oppure

$$Z_{min_{70V}} = \frac{(70,7 \text{ V})^2}{2 P_{max}}$$

Da ciò si ricava:

$$Z_{max} = 20 \Omega \text{ (a 100 V)}, Z_{max} = 10 \Omega \text{ (a 70 V)}$$

L'impedenza massima misurabile **Zmax** è invece stimabile a quella con linee caricate ad un quarto della massima potenza erogabile **Pmax**.

$$Z_{max_{100V}} = \frac{(100 \text{ V})^2}{0,25 P_{max}}$$

oppure

$$Z_{max_{70V}} = \frac{(70,7 \text{ V})^2}{0,25 P_{max}}$$

Quindi:

$$Z_{max} = 160 \Omega \text{ (a 100 V)}, Z_{max} = 80 \Omega \text{ (a 70 V)}$$

Gli amplificatori sono protetti e progettati per lavorare al massimo alla loro potenza di targa. **L'intervallo di carico migliore (Zmon)**, ovvero quello dove la misura di impedenza è più stabile, immune ad errori e ripetibile, è quello che **va dal 50% al 100% del carico corrispettivo alla potenza massima** del canale.

$$\text{Per linee a 100 V: } 40 \Omega \leq Z_{mon} \leq 80 \Omega$$

$$\text{Per linee a 70 V: } 20 \Omega \leq Z_{mon} \leq 40 \Omega$$

Si noti che, a seconda delle tolleranze dei sensori, possono risultare valide ed accurate anche misure minori o maggiori dei limiti indicati; i valori in questione devono essere quindi interpretati come soglie di confidenza del controllo linee.

Di fatto i sensori potrebbero misurare impedenze (a 20 Hz) comprese nel campo $5 \div 400 \Omega$. Le impedenze che non rientrano nei limiti garantiti sono misurabili con difficoltà e la loro misura è soggetta ad errori e disturbi.

TOLLERANZA RISPETTO AL VALORE DI CALIBRAZIONE

La scelta della tolleranza di misura dell'impedenza della linea diffusori è un parametro decisivo per evitare queste due situazioni:

- tolleranza troppo bassa: ad ogni minimo disturbo ci sarà una falsa segnalazione di errore sulla linea;
- tolleranza troppo alta: anche con un danno alla linea che escluda più diffusori, il sistema non segnalerebbe alcun errore.

La normativa EN54-16 richiede che il sistema indichi lo stato di guasto della linea diffusori (corto circuito o circuito aperto) e non del singolo diffusore; è quindi tollerabile un guasto ad un singolo diffusore, ma non la perdita di una sezione della linea.

Dato che in una linea 100 / 70 V tutti i diffusori acustici sono posti in parallelo, un eventuale cortocircuito (impedenza totale tendente a zero) comporta l'apertura dell'intera linea diffusori.

La scelta della tolleranza di misura (disponibile tra 20-30-40-50-60 %) è importante per la corretta rivelazione dei guasti delle linee diffusori.

Si applica la seguente regola generale:

“La tolleranza di misura consigliata è quella maggiore tra le opzioni disponibili, ma inferiore al peso percentuale della più piccola variazione d'impedenza, solitamente causata dalla disconnessione del diffusore acustico avente impedenza più alta ed installato al termine di uno dei rami della linea.”

Un esempio: una linea ha un'impedenza totale di **80 Ω (Ztot)** e termina con un diffusore avente impedenza 400 Ω (Zmaxend).

Perdendo il diffusore da 400 Ω, l'impedenza della linea passa da **80 Ω (Ztot)** a **100 Ω (Znoend)**.

La formula utilizzata è ottenuta in maniera molto semplice dal calcolo delle resistenze in parallelo:

$$Z_{noend} = \frac{Z_{maxend} \times Z_{tot}}{Z_{maxend} - Z_{tot}}$$

ATTENZIONE: PER IMPEDENZA DELLA LINEA, SI INTENDE QUELLA MISURATA ALLA FREQUENZA DI 20 Hz (CHE NON È PARI ALL'IMPEDENZA MISURATA TRAMITE IMPEDENZIMETRO AD 1 kHz)!

La differenza in percentuale tra i due valori d'impedenza è del **25%**, occorre quindi impostare la tolleranza del **20%**.

Ci sono però numerosi casi nei quali il peso percentuale dell'ultimo diffusore è inferiore al 20%, rendendo spesso impossibile discriminare eventuali danni alla linea.

Esistono inoltre dei diffusori acustici (es. trombe) che sono praticamente dei circuiti aperti alla frequenza di 20 Hz, rendendo di fatto impossibile la misurazione dell'impedenza della linea.

In questi casi, è indispensabile collegare alla fine della linea dei dispositivi con impedenza tale (alla frequenza di 20 Hz) da rendere possibile la calibrazione (rientrando nel campo di misura dei diversi canali) ed abbastanza bassa da rendere possibile discriminare l'apertura dell'ultimo tratto di linea; questi dispositivi si chiamano **“End Of Line”** (inglese: “fine linea”), da qui in poi indicati come **“EOL”**.



EOL ("End Of Line"): CARATTERISTICHE E LINEE GUIDA DI UTILIZZO

Gli **EOL** sono dei carichi reattivi con un'impedenza di 200 Ω alla frequenza di risonanza (20 Hz). Assorbendo unicamente potenza reattiva, è possibile inserirli in una linea senza intaccare la potenza di targa dell'amplificatore (a cui sono collegati); questo però è valido al netto della dinamica del misuratore di impedenza, che può effettuare correttamente la misura fino ad avere un carico massimo del doppio della potenza di targa erogabile dall'amplificatore.

Per garantire un corretto monitoraggio delle linee nei casi in cui non sia rispettato il vincolo sull'ultimo diffusore dei vari rami (esplicitato nel precedente paragrafo), al termine di ogni ramo di linea bisognerà collegare un EOL.

Il numero massimo di EOL installabili è sei; questo è dovuto a problemi di dinamica del circuito di misura di impedenza e dell'amplificatore (per quanto la potenza sia reattiva, occorre considerare anche le correnti parassite, le quali possono sovraccaricare l'amplificatore).

Questi EOL saranno distribuiti tra le linee disponibili sul sistema in modo da rendere misurabili le impedenze dei diffusori acustici installati.

L'impedenza risultante (**Ztot**) dal parallelo tra quella del carico già presente nella linea (**Zlinea**) e quella dell'EOL (**Zeol** = 200 Ω) è facilmente ricavabile dalla formula seguente:

$$Z_{tot} = \frac{Z_{linea} \times Z_{eol}}{Z_{linea} - Z_{eol}}$$

ATTENZIONE: PER IMPEDENZA DELLA LINEA (ZLINEA), SI INTENDE QUELLA MISURATA ALLA FREQUENZA DI 20 Hz (CHE NON È PARI ALL'IMPEDENZA MISURATA TRAMITE IMPEDENZIMETRO AD 1 kHz)!

In caso di singola linea con carico di impedenza particolarmente bassa o di linee caricate con diffusori a tromba (circuiti aperti a 20 Hz), è necessario mettere in parallelo più EOL.

Nel caso la linea sia divisa su più rami, in ciascuno il numero di EOL deve essere uguale, per garantire un corretto monitoraggio e rispettare il vincolo dato dalla seguente formula:

$$N_{eol} > \frac{200 \Omega}{Z_{tot} (21 - N_{rami})}$$

N_{eol} = numero di EOL
Z_{tot} = impedenza totale
N_{rami} = numero dei rami

Entro i limiti di funzionamento del sistema, il risultato è pari a 1.

Per sapere quanti EOL sono necessari in una linea, è necessario calcolarne l'impedenza totale (Ztot) applicando la seguente formula (parallelo tra impedenze) corretta con il numero di EOL (Neol):

$$Z_{noend} = \frac{Z_{linea} \times \frac{200 \Omega}{N_{eol}}}{Z_{linea} + \frac{200 \Omega}{N_{eol}}}$$

ATTENZIONE: PER IMPEDENZA DELLA LINEA (ZLINEA), SI INTENDE QUELLA MISURATA ALLA FREQUENZA DI 20 Hz (CHE NON È PARI ALL'IMPEDENZA MISURATA TRAMITE IMPEDENZIMETRO AD 1 kHz)!

L'impedenza totale deve rispettare i vincoli sopra descritti con gli EOL. Il numero massimo di EOL è sei.



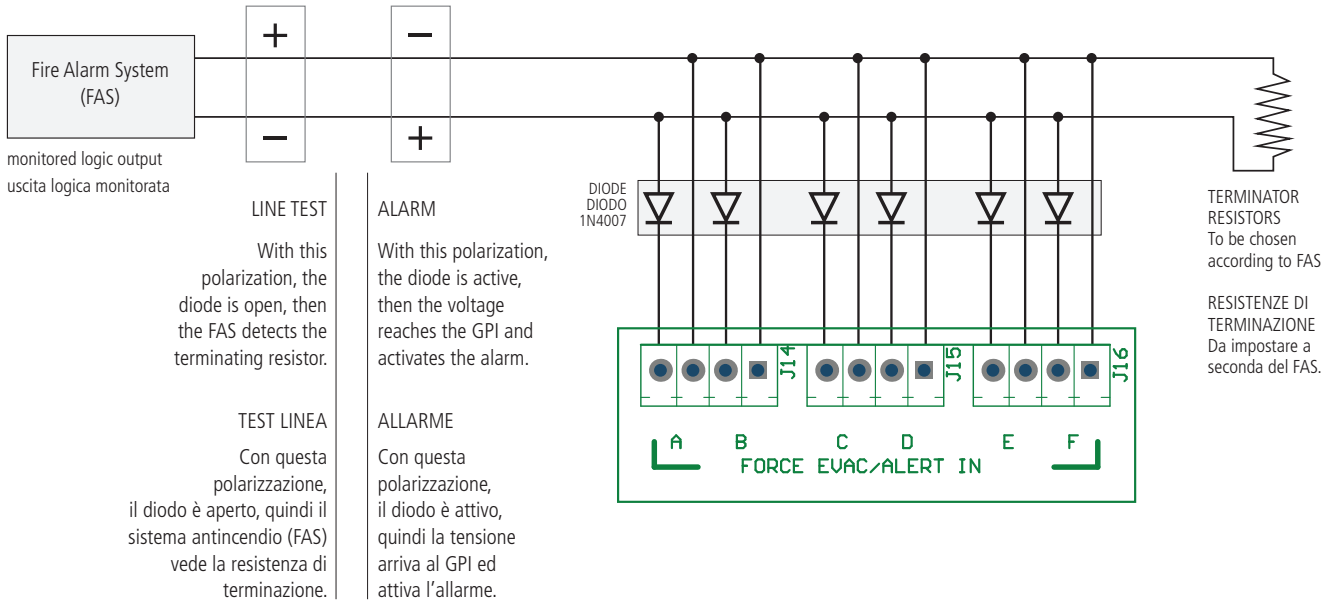


Potenza d'uscita massima complessiva:	fino a 250 W, liberamente assegnabile alle 2, 4, oppure 6 zone
Risposta in frequenza:	80 Hz ÷ 16 kHz (± 1 dB)
Distorsione (THD + N):	0,3 tipica (1% max., f: 1 kHz)
Tensione uscita linee altoparlanti:	100 V / 70 V
Rapporto segnale / rumore:	70 dBA
Alimentazione da rete:	115 / 230 V c.a. +10/-15% 50/60 Hz, impostazione interna
Alimentazione da batterie:	24 V c.c (2x 12 V), Ri max.= 220 m Ω
Fusibili amplificatore:	F1 T4AL, F2 T4AL
Fusibili alimentatore:	T2AL (230 V) / T4AL (115 V)
Impedenza minima altoparlanti (Zmin):	40 Ω (100 V) / 20 Ω (70 V), CI= 5nF
Consumo (c.a.):	max. 400 W
Assorbimento corrente batterie (c.c.)	max. 15,3 A
Capacità batterie:	7-12-18 Ah (impostazioni interne)
Temperatura ambiente di funzionamento:	0 ÷ 40 °C
Connettori d'ingresso:	terminali a vite rimovibili
Numero massimo di zone d'evacuazione:	6 (MX 3250/6)
Numero massimo di basi microfoniche BM 3804 collegate in cascata :	4
Canali audio simultanei:	3
Cavi per basi microfoniche:	CAT 6 FTP oppure tipo J (RCF)
Dimensioni (l, h, p):	430 mm, 530 mm, 180 mm (12 unità rack 19")
Max. corrente (portata) su uscita logica:	2 A
Max. tensione commutabile su uscita logica:	100 V
Max. potenza commutabile su uscita logica:	30 W
Dissipazione termica:	50 W (1/8 potenza nominale)

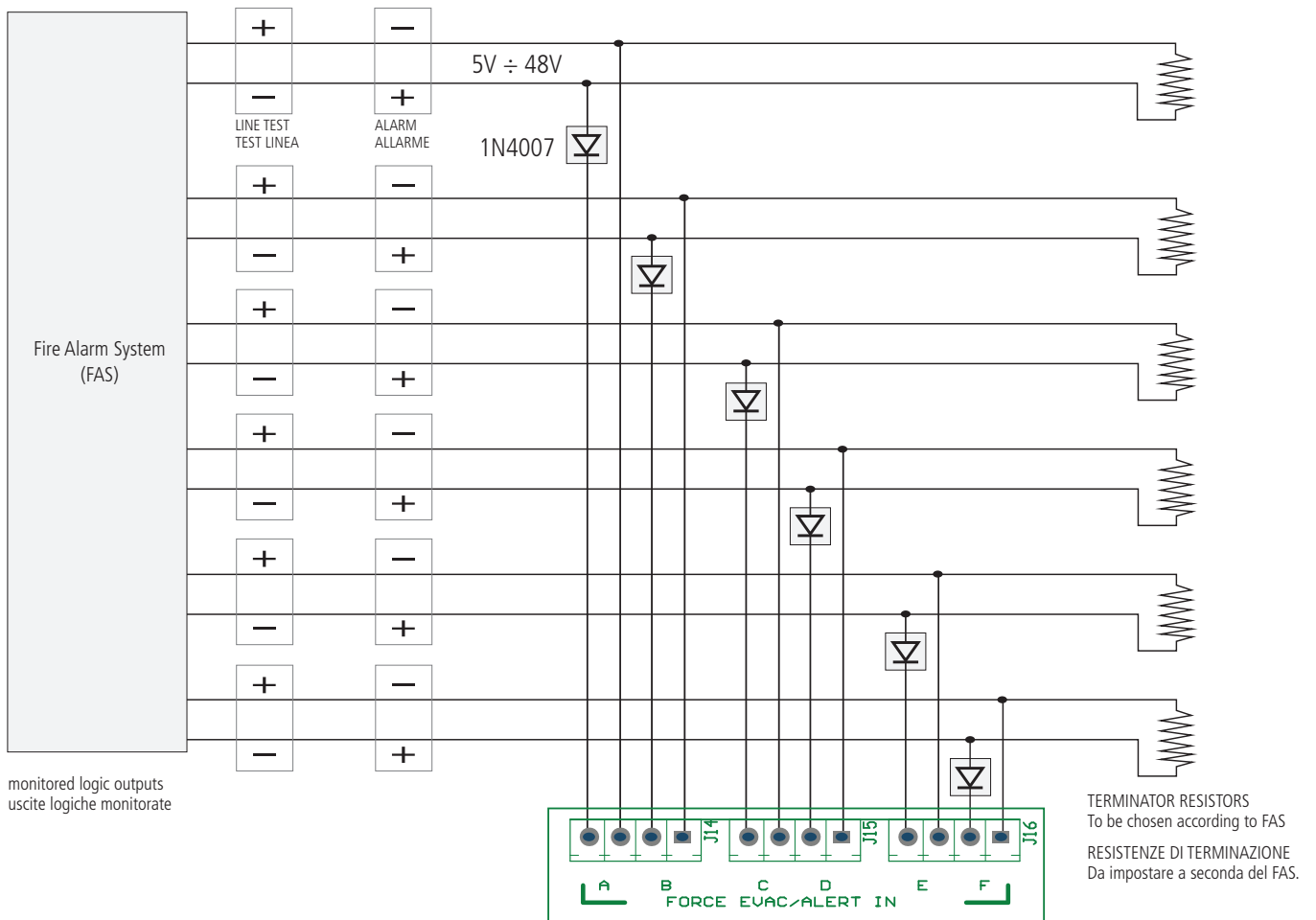
FIRE ALARM SYSTEM MONITORING MONITORAGGIO DEL SISTEMA D'ALLARME ANTINCENDIO



SINGLE LINE MONITORING - GENERAL ALARM MONITORAGGIO DI UN'UNICA LINEA - ALLARME GENERALE



SEPARATE MONITORING OF EACH LOGIC INPUT - ZONE ALARM MONITORAGGIO SEPARATO DI OGNI SINGOLO INGRESSO LOGICO - ALLARME DI ZONA





0068

RCF S.p.A. - Via Raffaello Sanzio 13, 42124 Reggio Emilia, ITALY

15

0068-CPR-007/2015

EN 54-16:2008

Voice alarm control and indicating equipment for fire detection and fire alarm systems for buildings

EN 54-4:1997 + A1:2002 + A2:2006

Power supply equipment for fire detection and fire alarm systems for buildings

DXT 3000

Provided options (EN 54-16:2008)

- 7.3 Audible warnings
- 7.6.2 Manual silencing of the voice alarm condition
- 7.7.2 Manual reset of the voice alarm condition
- 7.8 Output to fire alarm devices
- 7.9 Voice alarm condition output
- 8.3 Indication of faults related to the transmission path to the CIE
- 8.4 Indication of faults related to voice alarm zones
- 10 Voice alarm manual control
- 12 Emergency microphone(s)
- 13.14 Redundant power amplifiers

DoP: 001_18

Other technical data: see operational manual.

Salvo eventuali errori ed omissioni.
RCF S.p.A. si riserva il diritto di apportare modifiche senza preavviso.

Except possible errors and omissions.
RCF S.p.A. reserves the right to make modifications without prior notice.

www.rcf.it



RCF S.p.A. Italy
Via Raffaello Sanzio, 13
42124 Reggio Emilia - Italy
Tel +39 0522 274 411
Fax +39 0522 232 428
e-mail: info@rcf.it